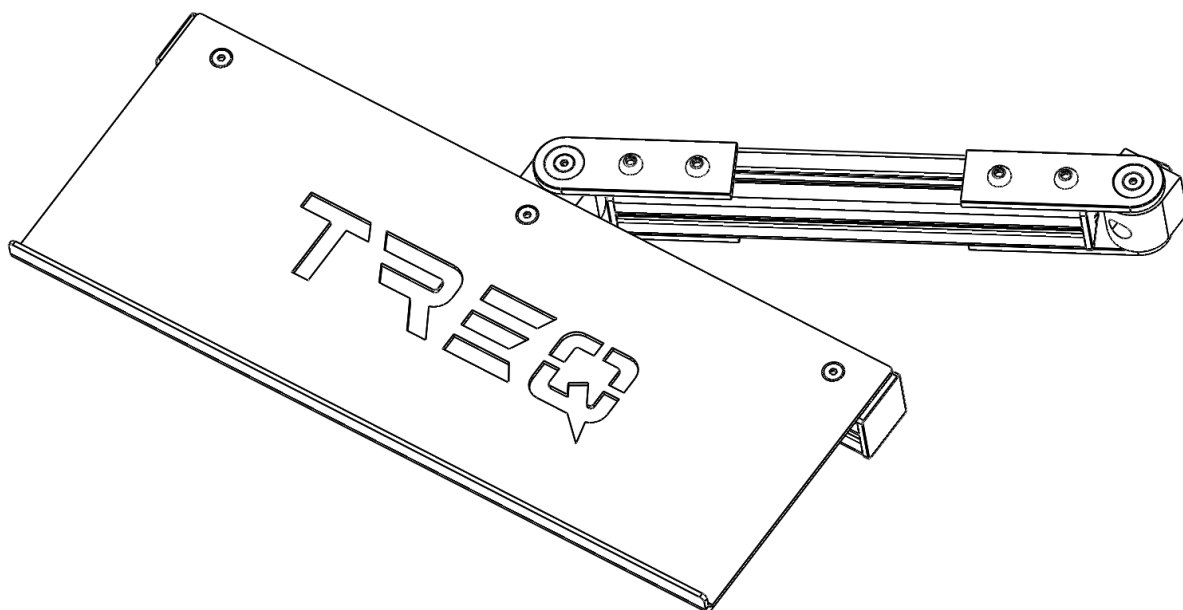
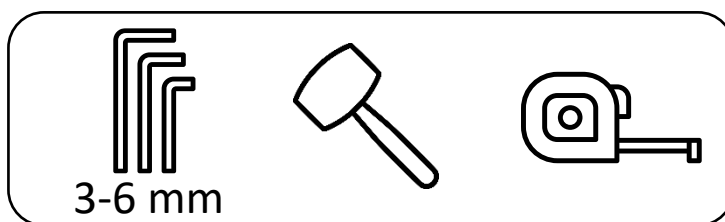


# ADVANCED KEYBOARD TRAY

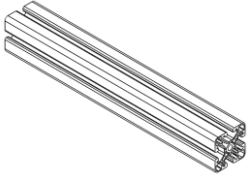
INSTRUCTION MANUAL



REQUIRED TOOLS:

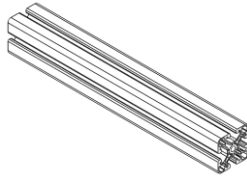


**1**



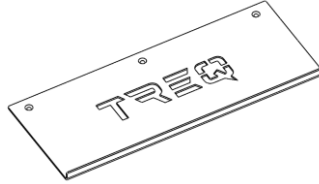
Profile 4040 L=500

**1x**



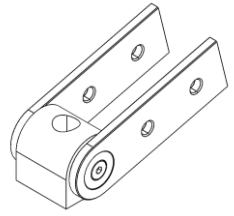
Profile 4040 L=280

**1x**



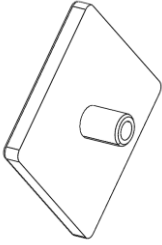
Tray

**1x**



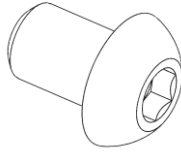
Hinge

**2x**



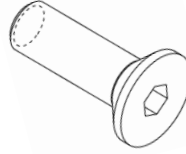
Cover 4040

**4x**



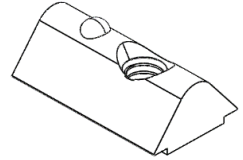
M8x16

**8x**



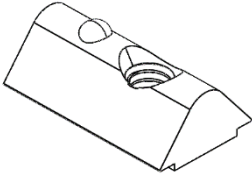
M5x12

**3x**



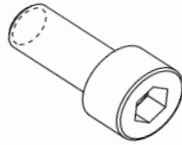
Click-in Nut M8

**10x**



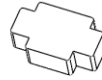
Click-in Nut M5

**3x**



M8x25

**2x**



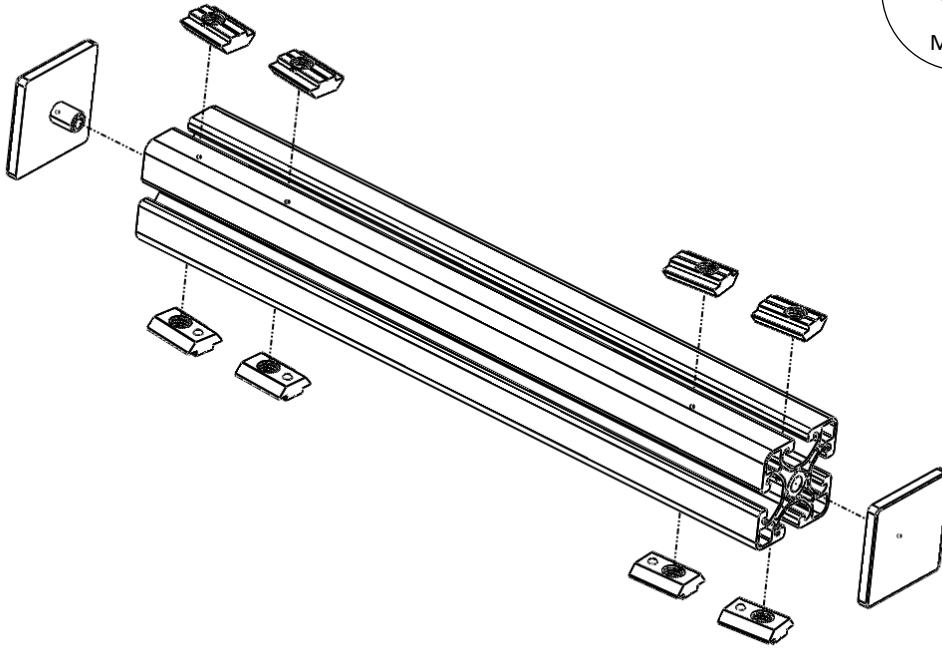
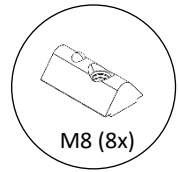
Cross

**4x**

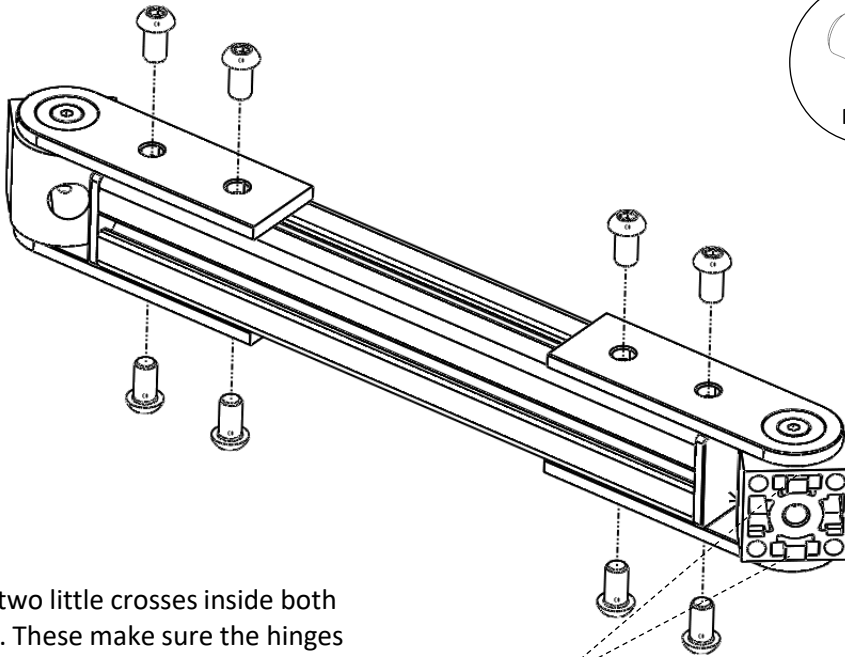
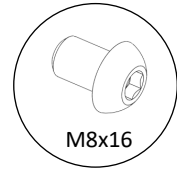
2



Profile 4040 L=280

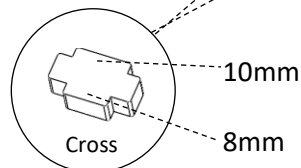


3



Insert two little crosses inside both hinges. These make sure the hinges cannot rotate on the profiles.

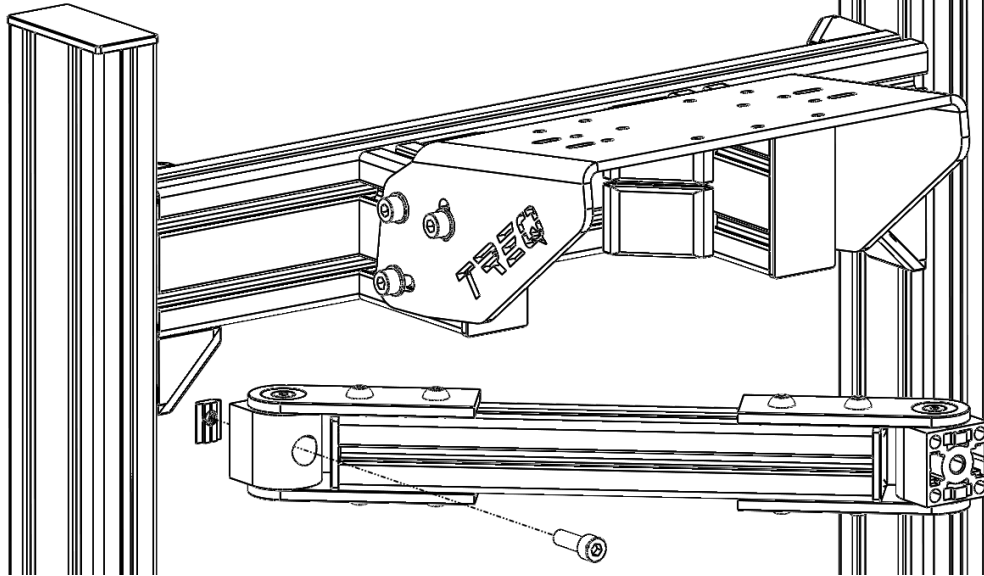
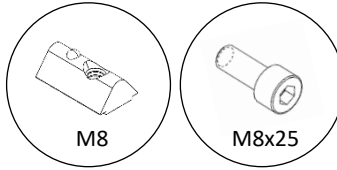
Use the 10mm side inside the hinge, the 8mm inside the profile.



4

Mount the hinge to the upright of your rig.

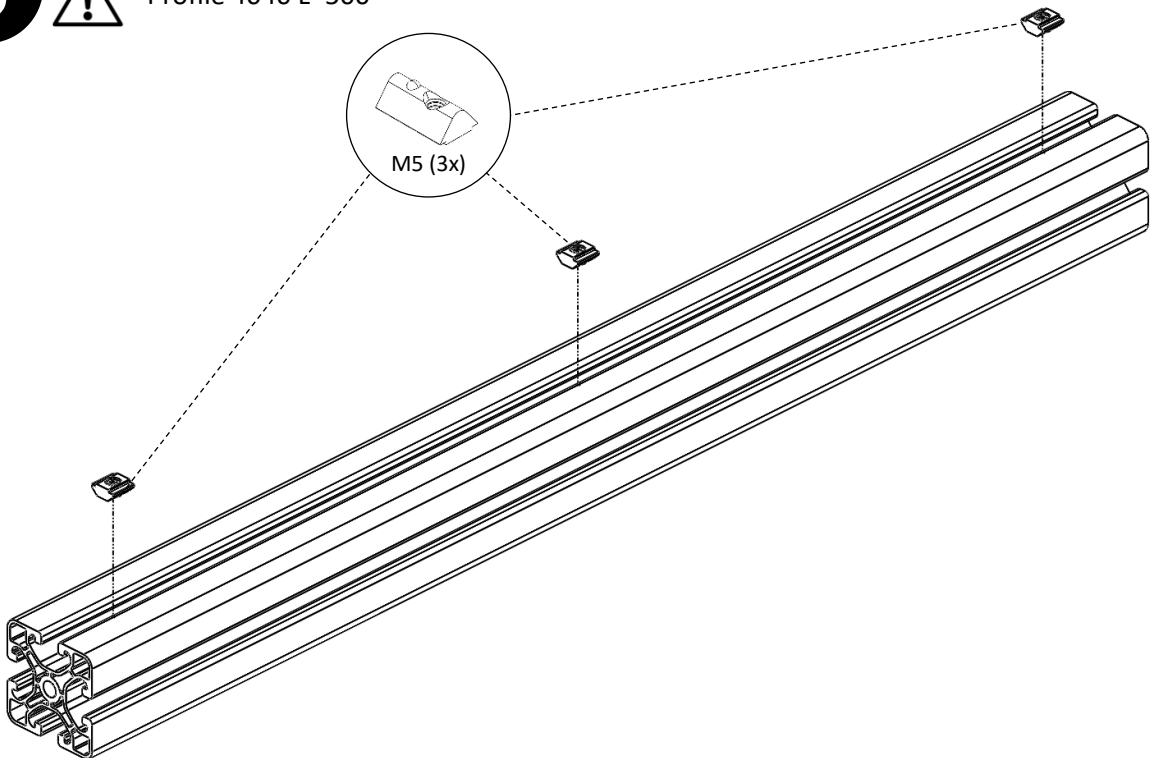
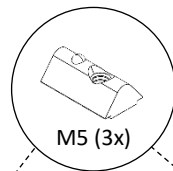
Please note it can be mounted on both left or right side!



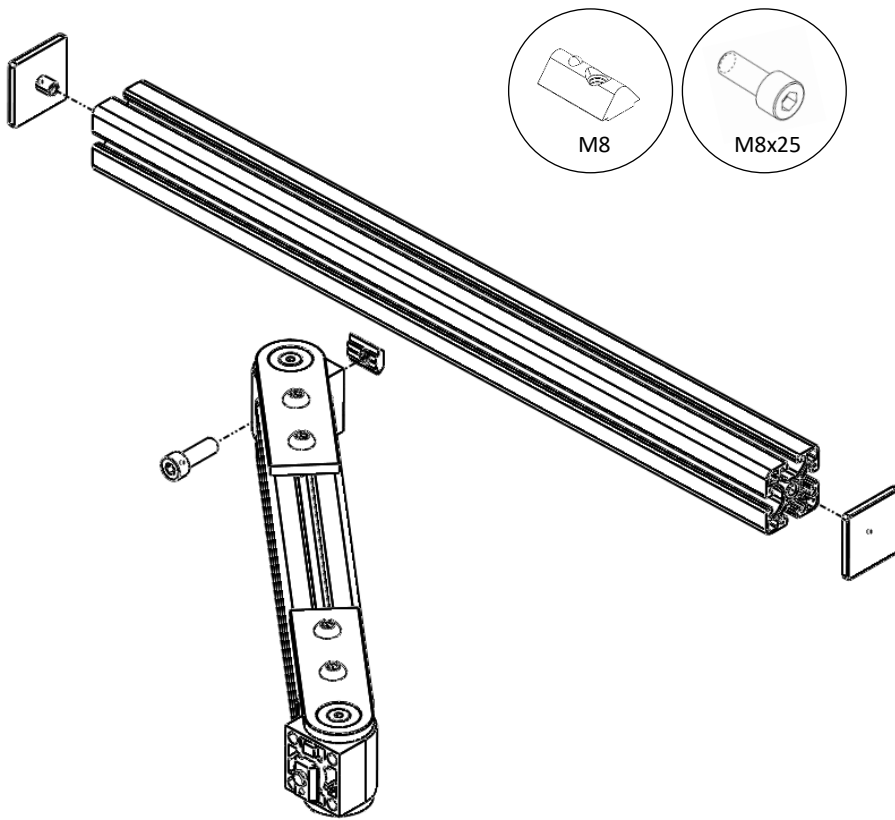
5



Profile 4040 L=500



6



7

