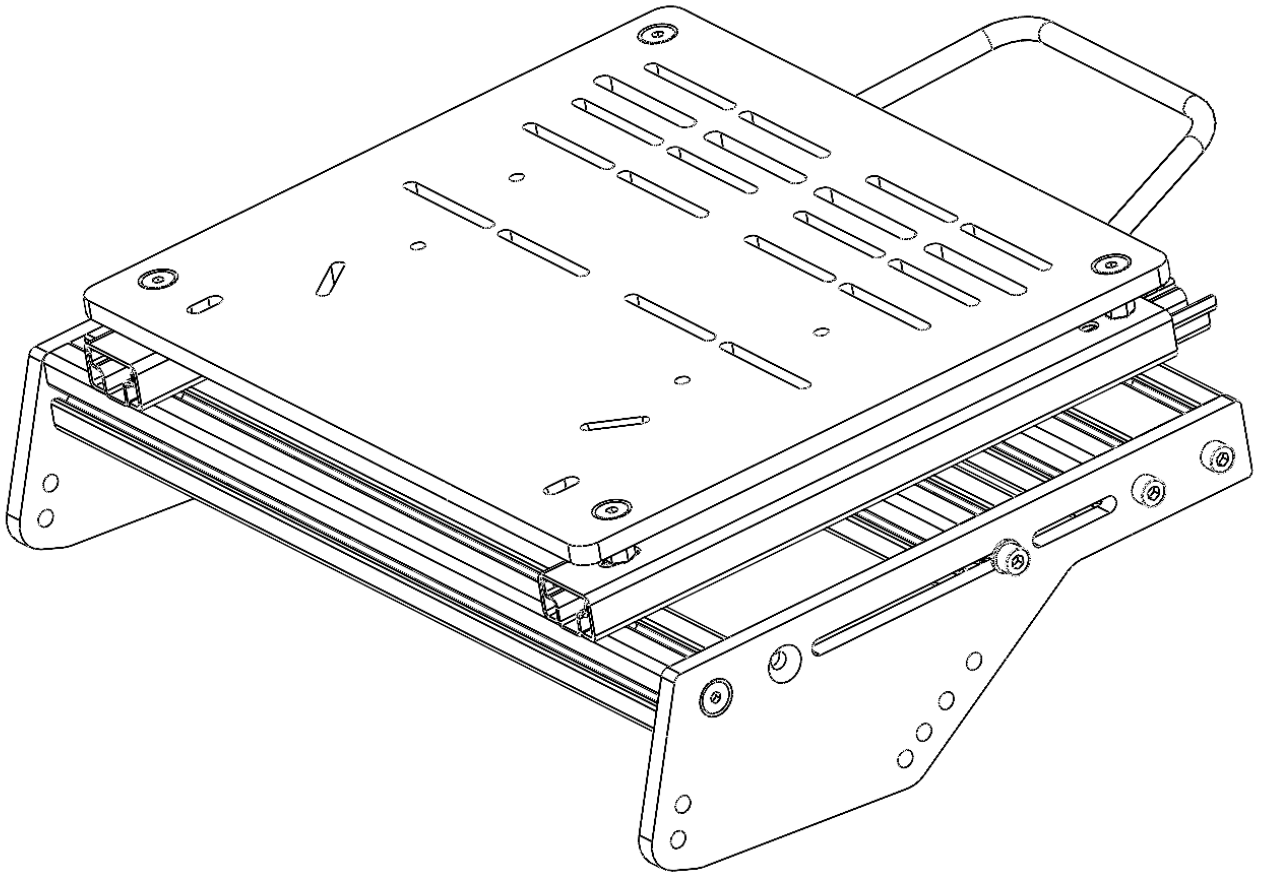
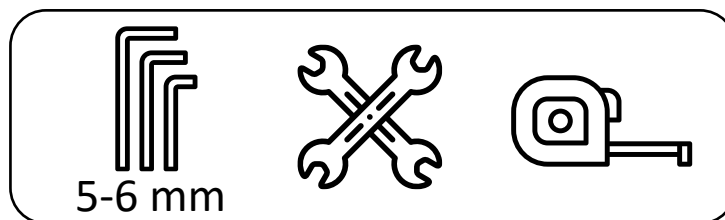


# PEDAL SLIDER

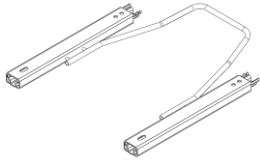
## INSTRUCTION MANUAL



### REQUIRED TOOLS:

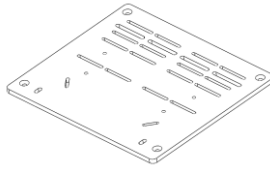


1



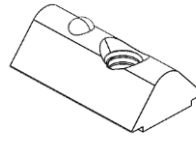
Slider

1x



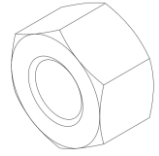
Base Plate

1x



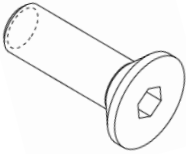
Click-in Nut M8

4x



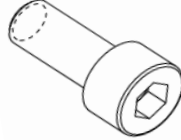
Nut M8

4x



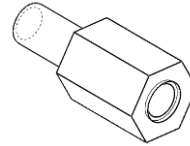
M8x20 (Black)

4x



M8x12 (Black)

4x



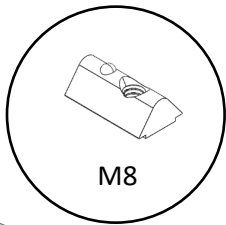
M8x15 Spacer

4x

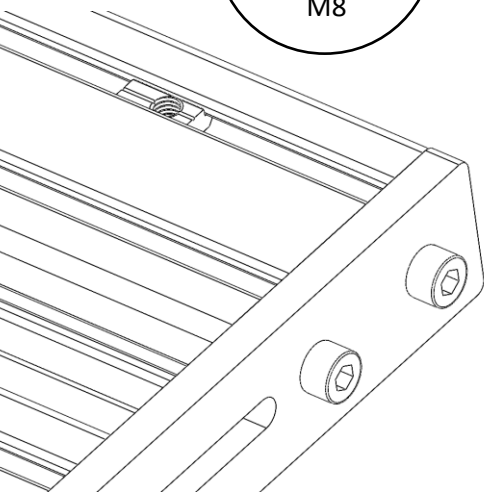
Additional bolts  
for pedal  
mounting are  
included.

2

Mount the four M8 Click-in Nuts into your pedal deck, using the following distances:



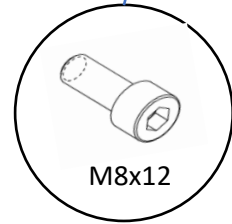
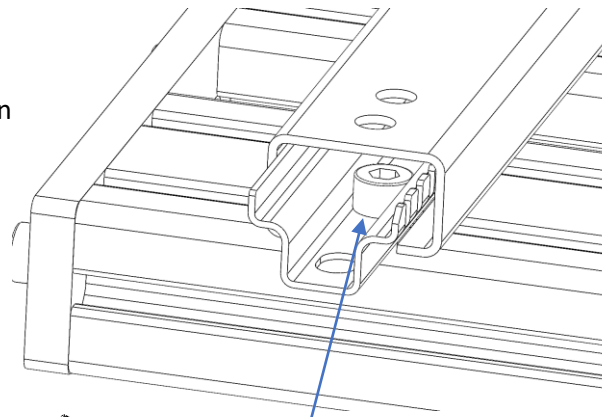
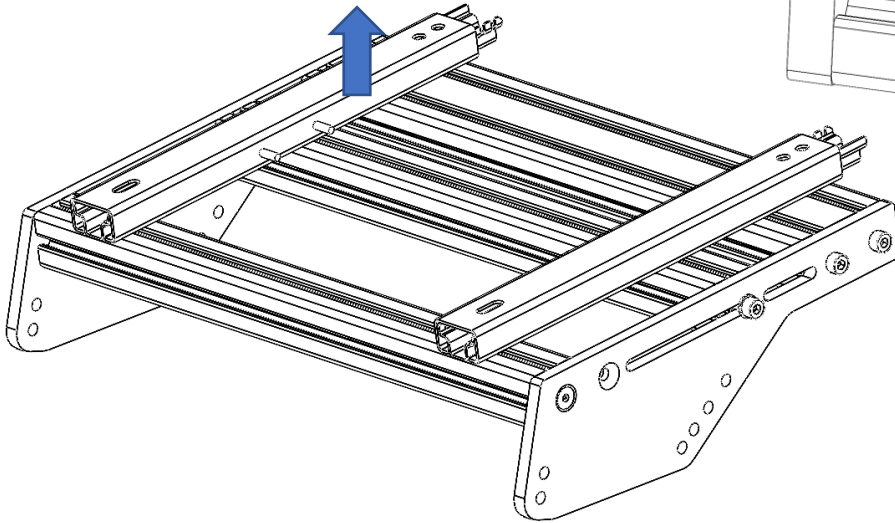
M8



3

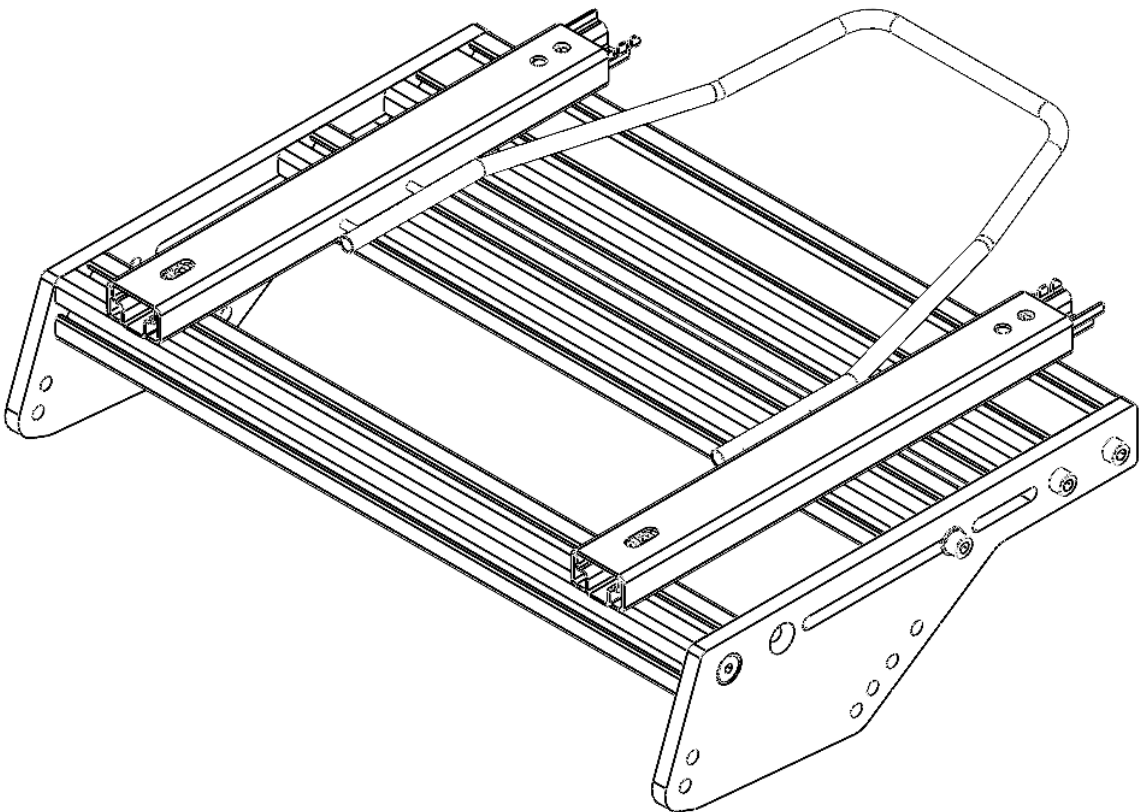
Mount both sides of the slider.

To reach the 'hidden' holes, press the side of the slider-mechanism up with your thumb. You can then slide each side of the sliders and 'free' the holes.



4

Clamp the bar between the two sliders.



5

Mount the base plate to the pedal slider. We recommend mounting your pedals to the base plate before doing this last step.

