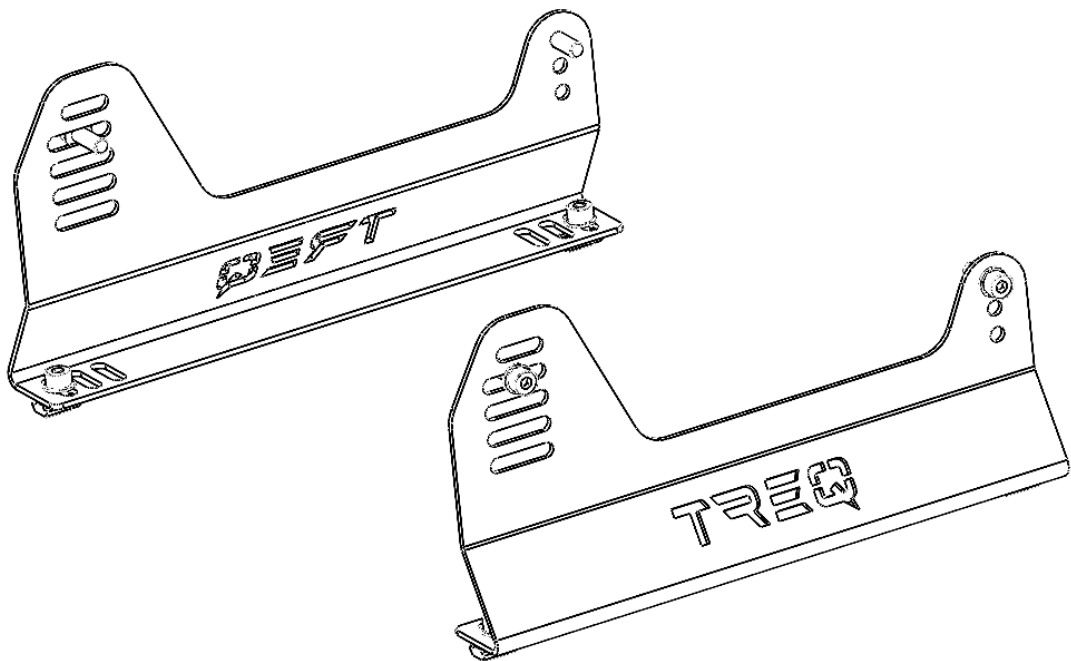
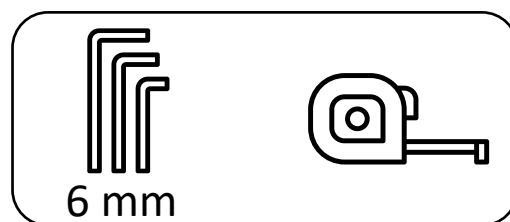


SEAT BRACKETS

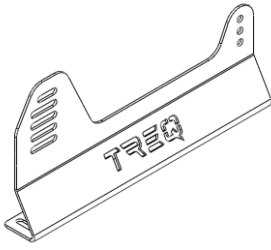
INSTRUCTION MANUAL



REQUIRED TOOLS:

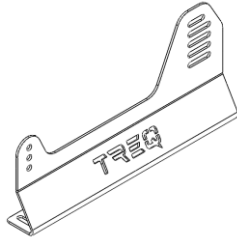


1



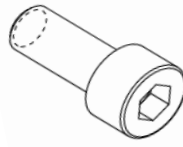
Left Bracket

1x



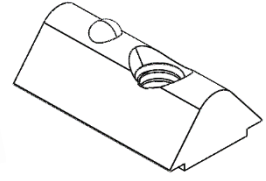
Right Bracket

1x



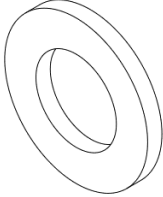
M8x16

4x



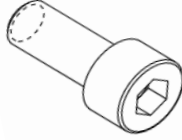
Click-in Nut M8

4x



Plain Washer M8

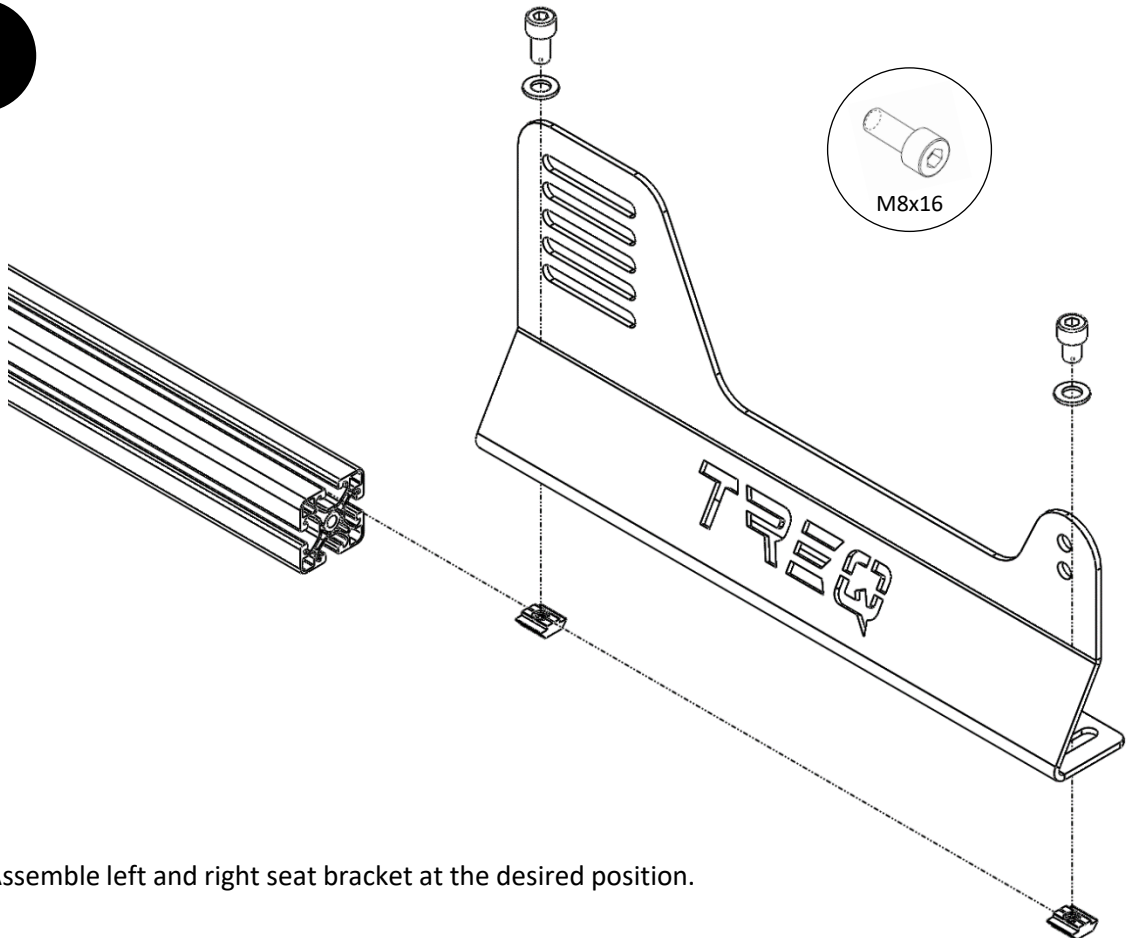
8x



M8x25

4x

2



Assemble left and right seat bracket at the desired position.

3

