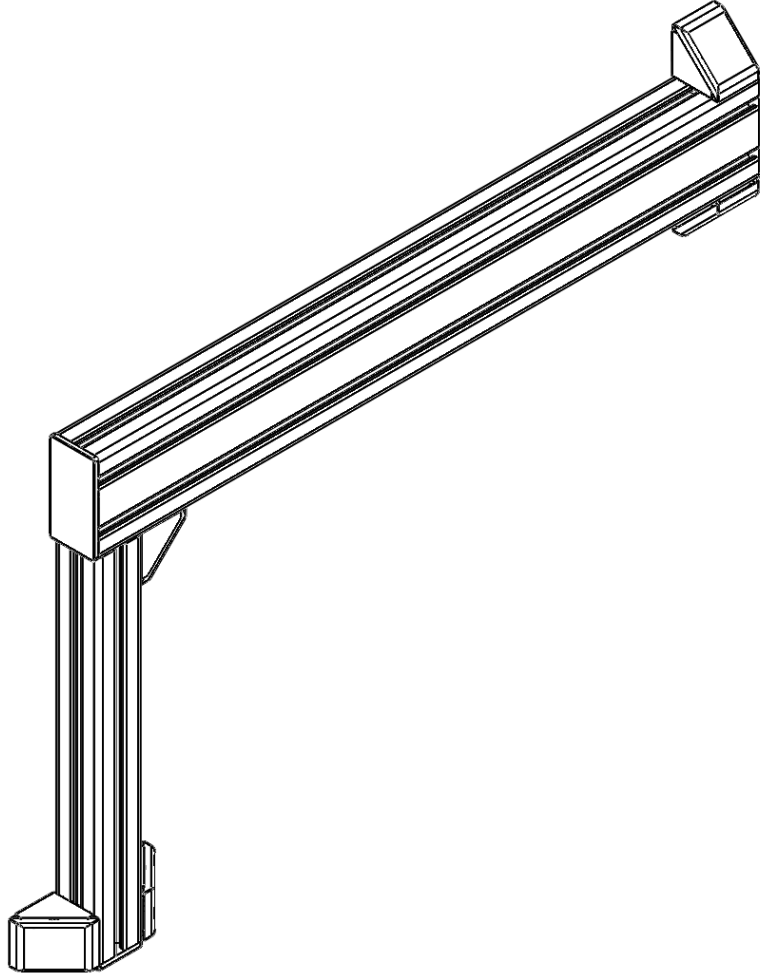
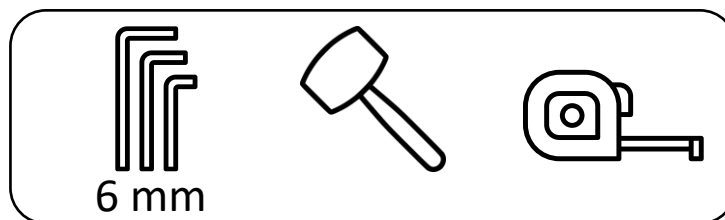


SHIFTER FRAME

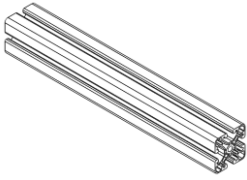
INSTRUCTION MANUAL



REQUIRED TOOLS:

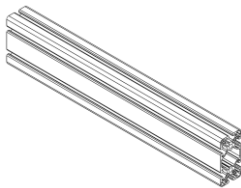


1



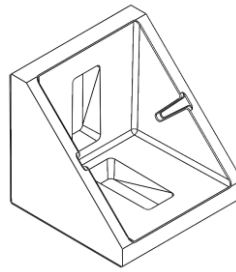
Profile 4040 L=320

1x



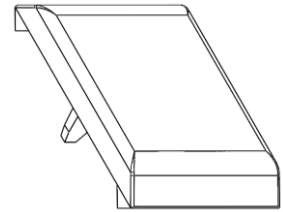
Profile 8040 L=580

1x



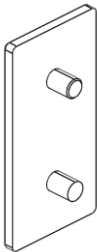
Corner 4040

5x



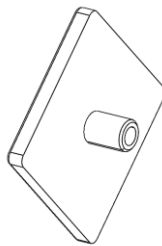
Corner Cover 4040

5x



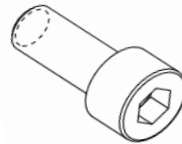
Cover 8040

2x



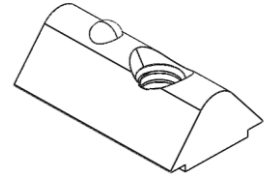
Cover 4040

2x



M8x16

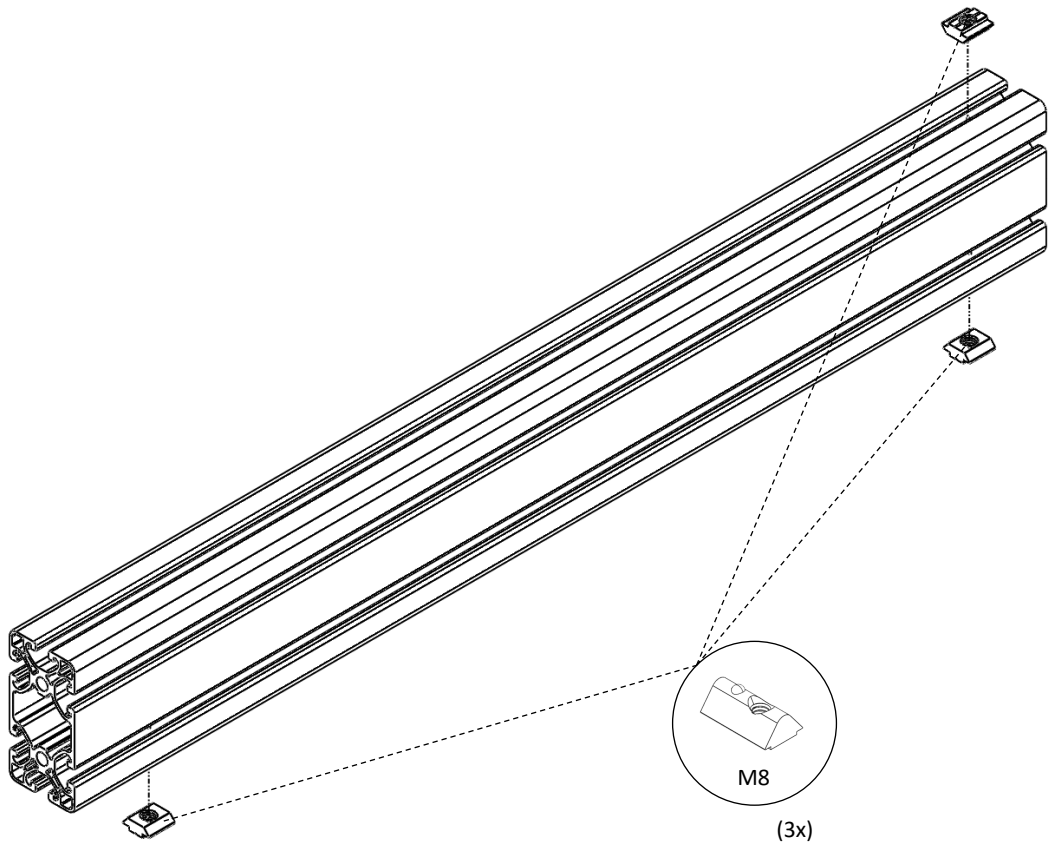
10x



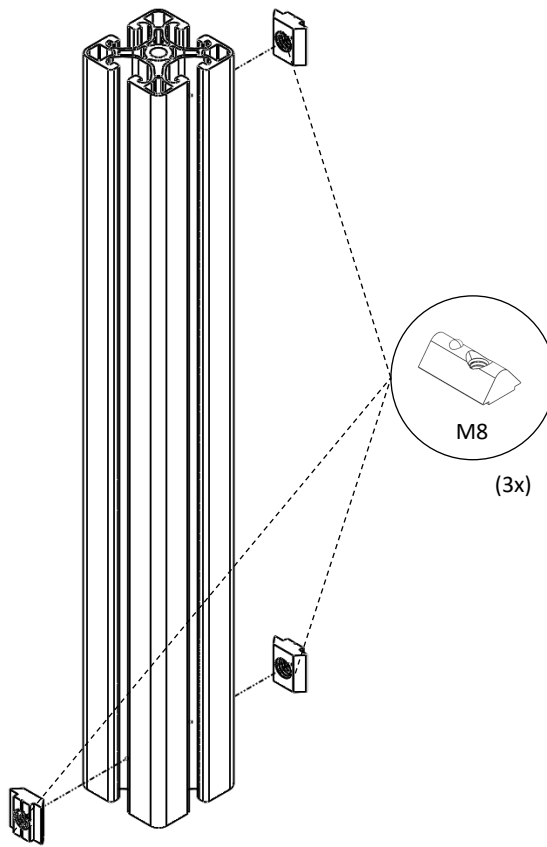
Click-in Nut M8

10x

2

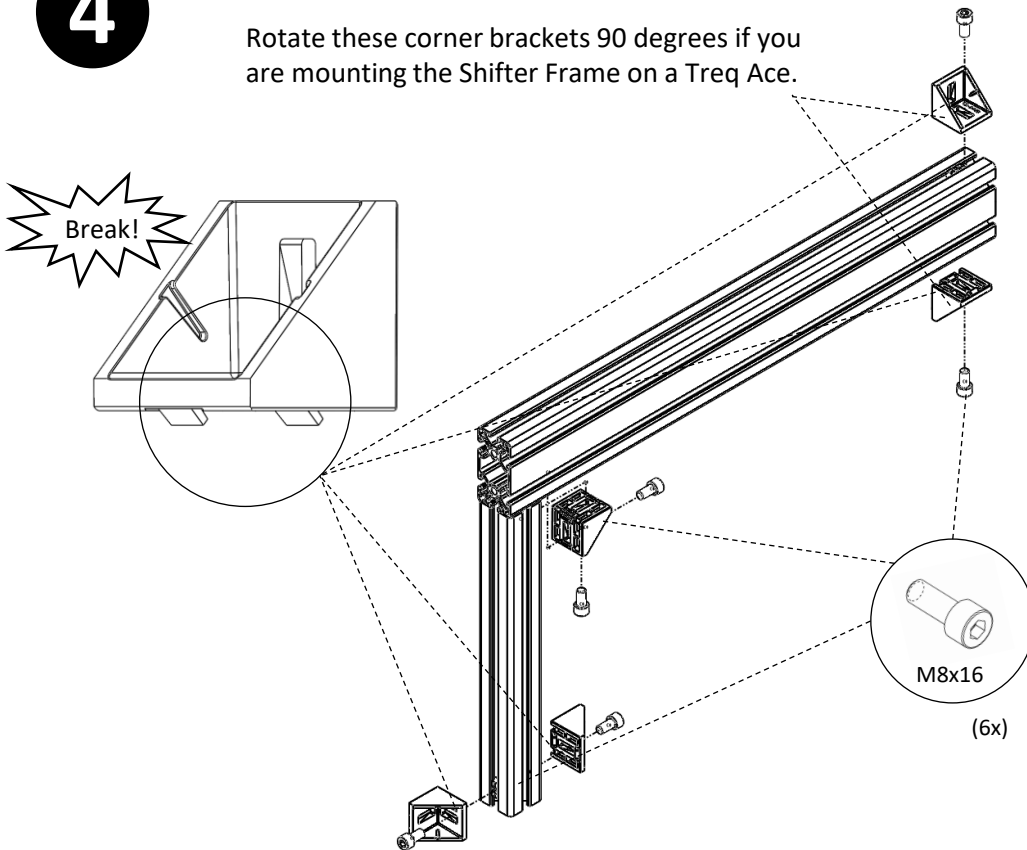


3

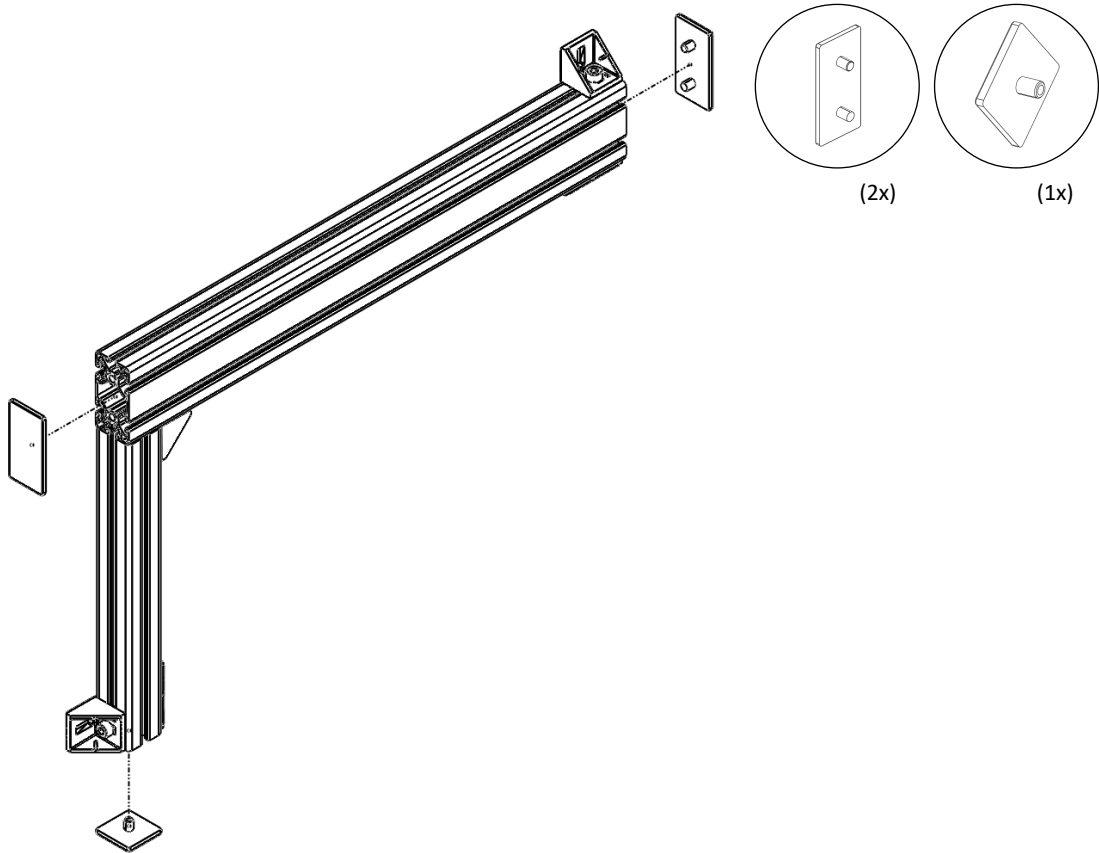


4

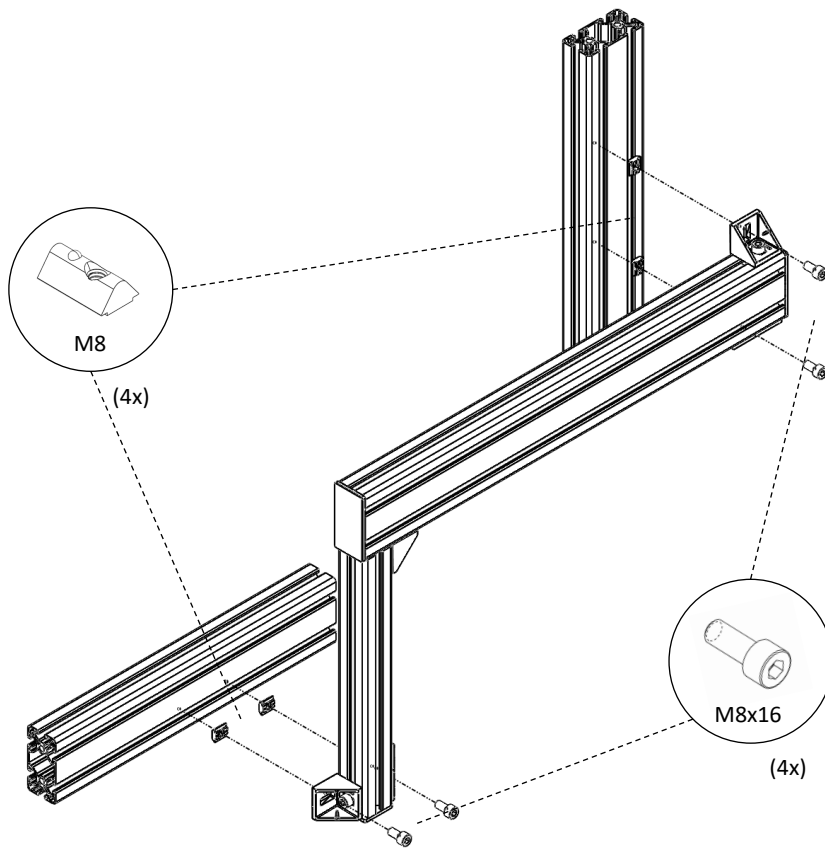
Rotate these corner brackets 90 degrees if you are mounting the Shifter Frame on a Treq Ace.



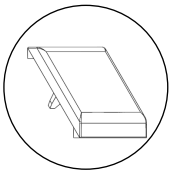
5



6



7



(5x)

