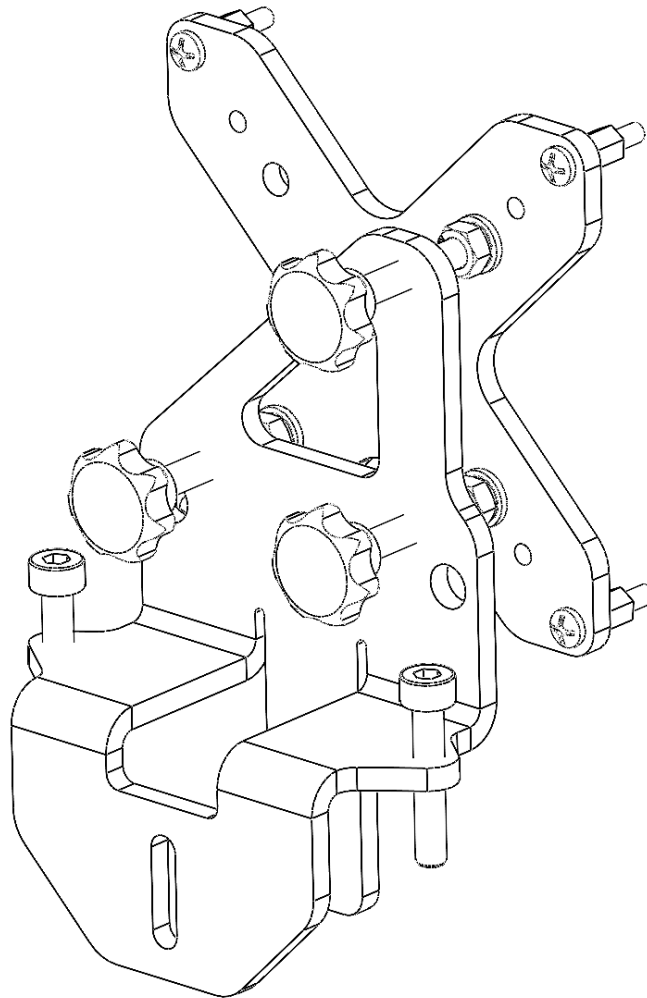
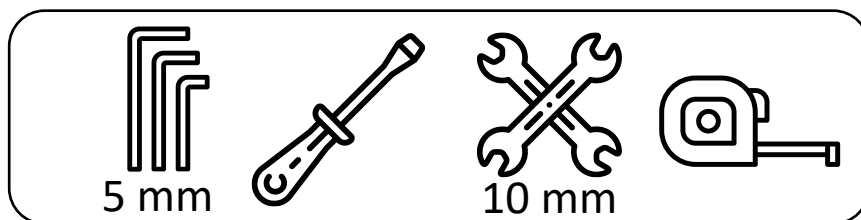


EASY MONITOR ALIGNMENT KIT

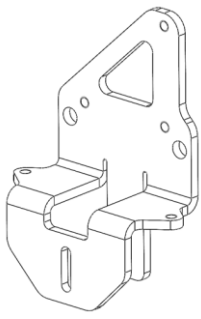
INSTRUCTION MANUAL



REQUIRED TOOLS:

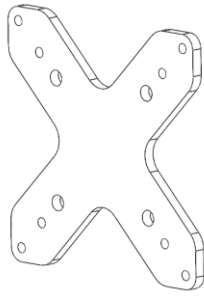


1



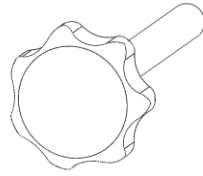
Adjustment Bracket

1x



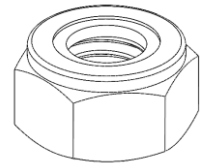
VESA Bracket

1x



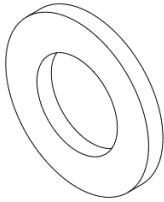
M6x50 Knob

3x



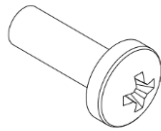
Lock nut M6

6x



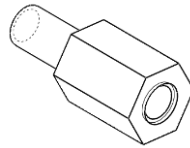
Nylon washer M6

6x



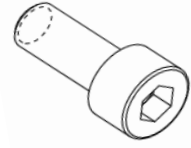
M4 Screw

4x



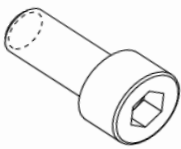
M4 Spacer

4x



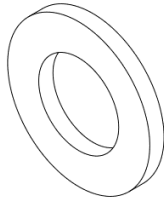
Nylon M6x35

2x



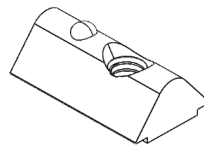
M6x16 (Black)

1x



Washer M6

1x

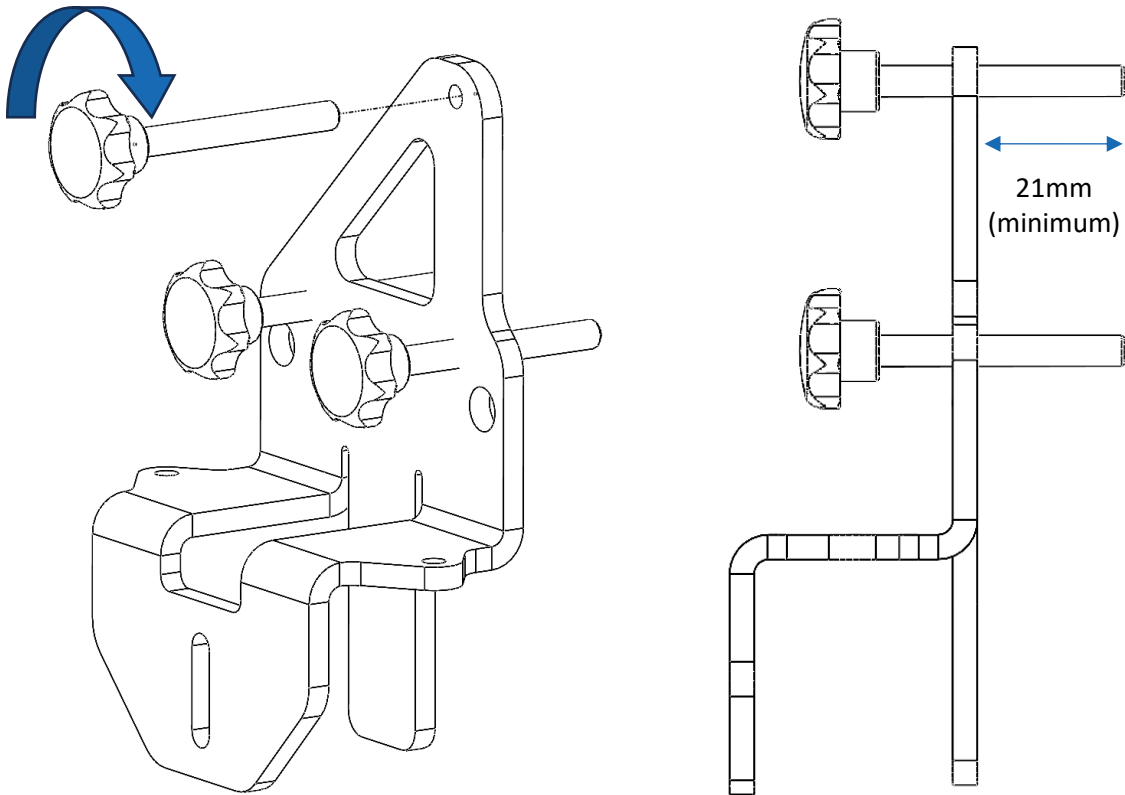


Click-in Nut M6

1x

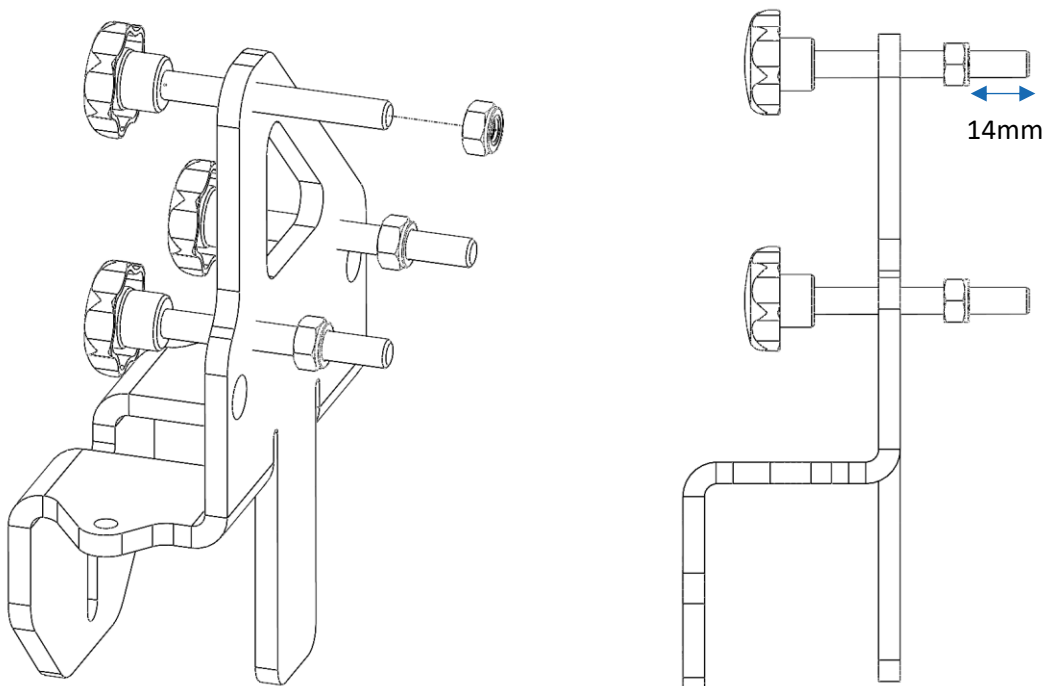
2

Mount the M6 knobs into the adjustment bracket.
Make sure you turn the knobs far enough into the brackets (they should stick out 21mm at minimum).

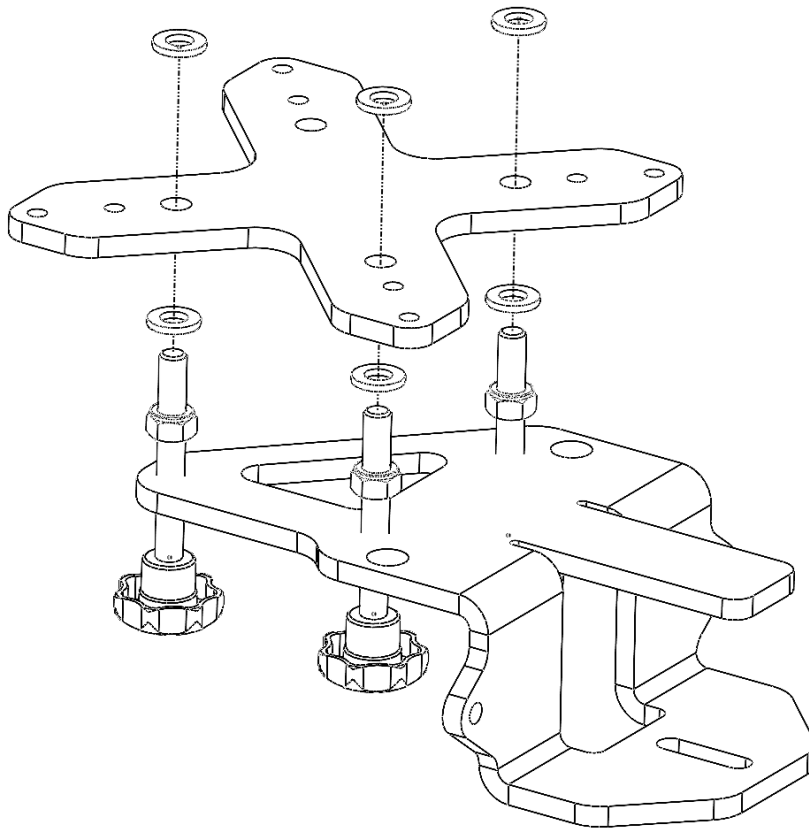


3

Mount 3 of the M6 lock nuts onto the thread of the knobs.
Distance from the head of the nut to end of the thread should be 14mm (can be fine-tuned in step 5).

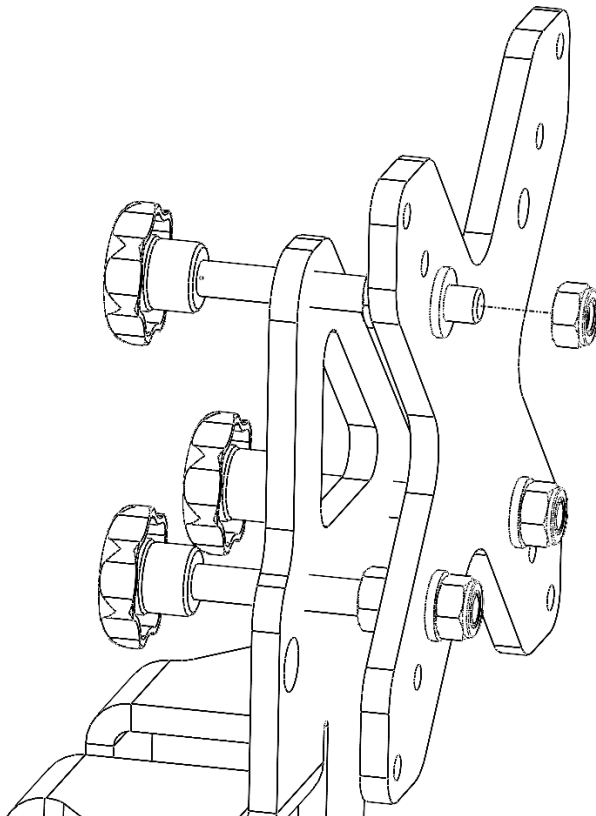


4

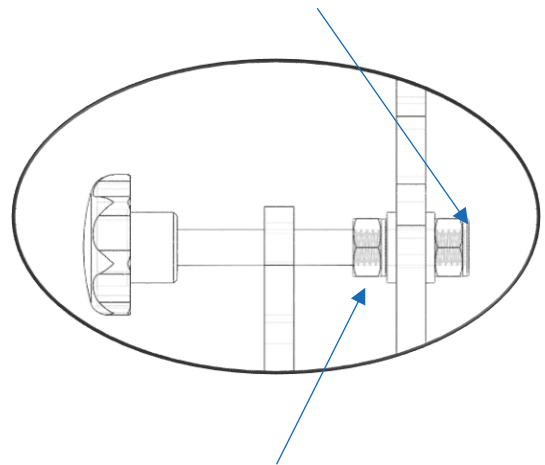


5

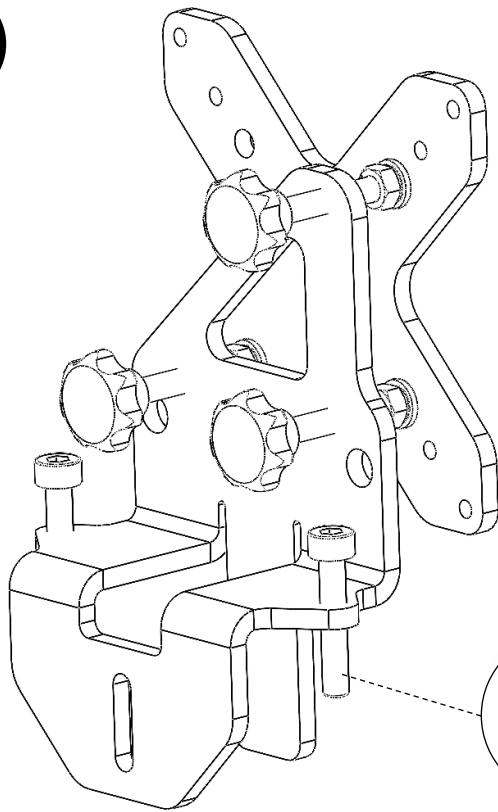
Mount the remaining M6 lock nuts. Line the assembly up with the end of the thread.



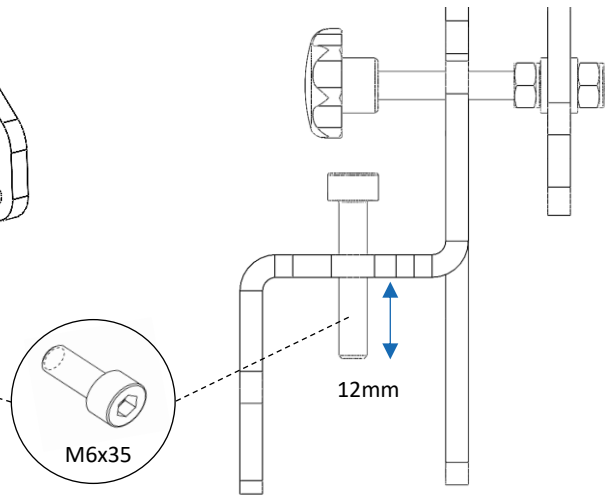
Make sure the M6x50 thread goes all the way through! This way the lock nut can actually 'lock' itself.



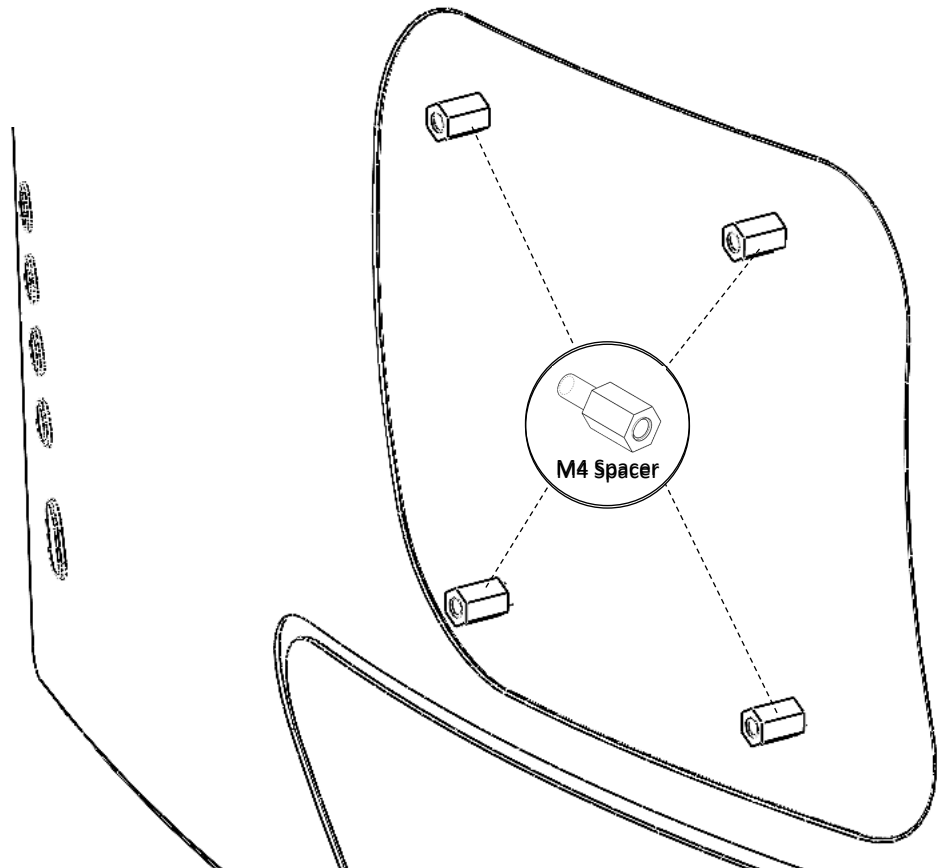
Turn this M6 nut to line up all the nuts, washers and the VESA bracket to the end of the M6x50 thread. **But do not tighten it! As soon as you feel the resistance increase, stop rotating.** The VESA bracket must have a tiny amount of freedom, and must not be clamped.

6

Mount the M6x35 bolts into the assembly. You can let them stick out around 12mm, but this can be adjusted later when you are fine tuning the alignment of your monitors.

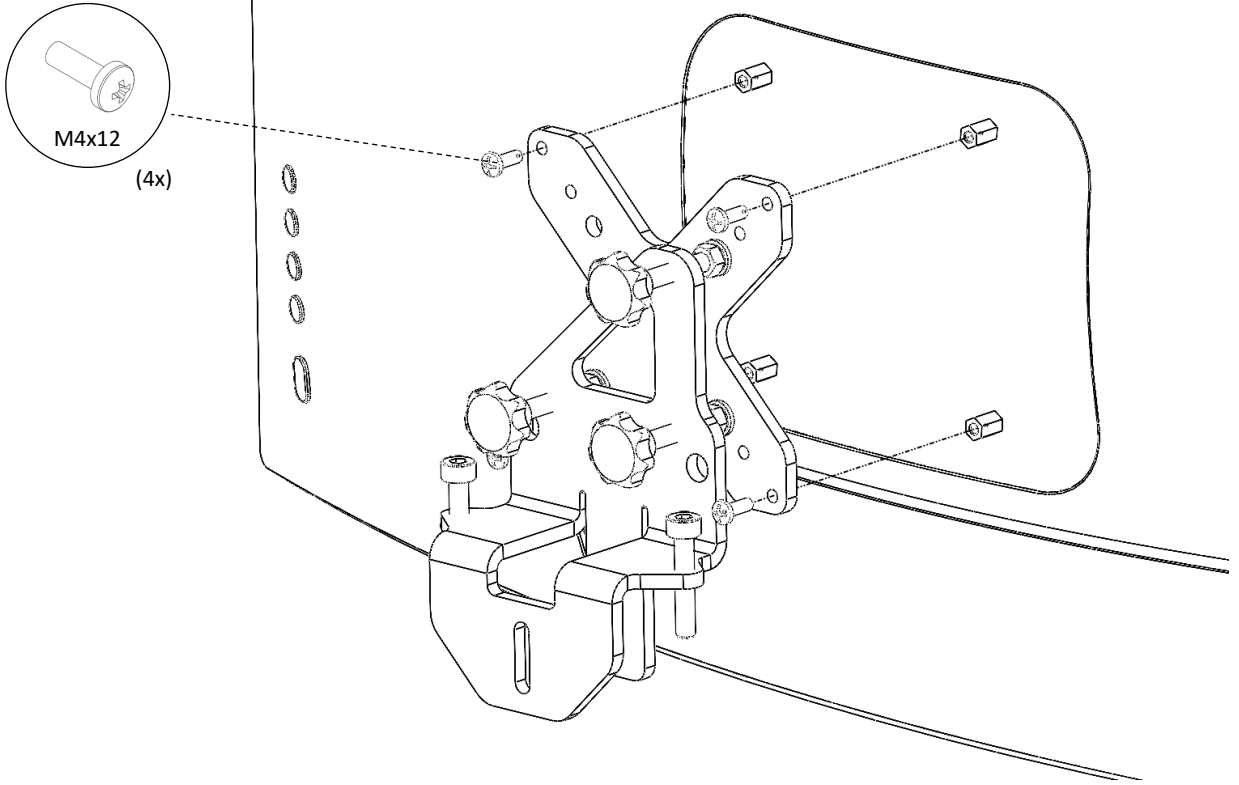
**7**

Mount the M4 spacers into the back of your monitor's VESA mount.



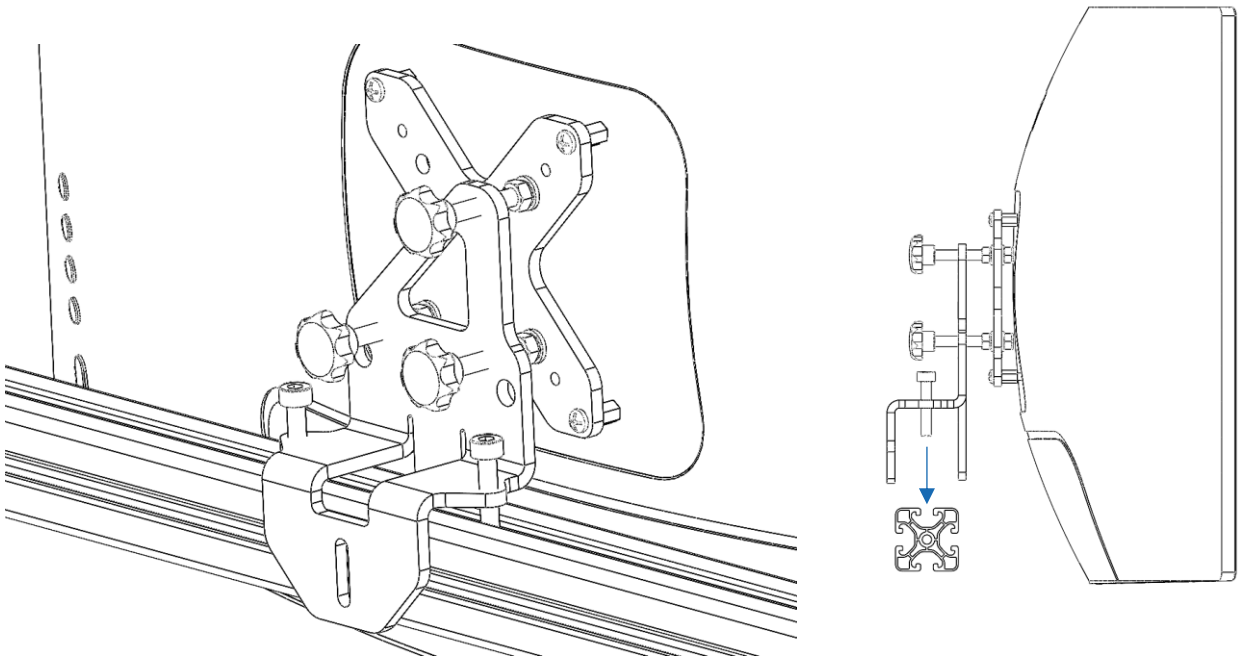
8

Mount the assembly to your screen.

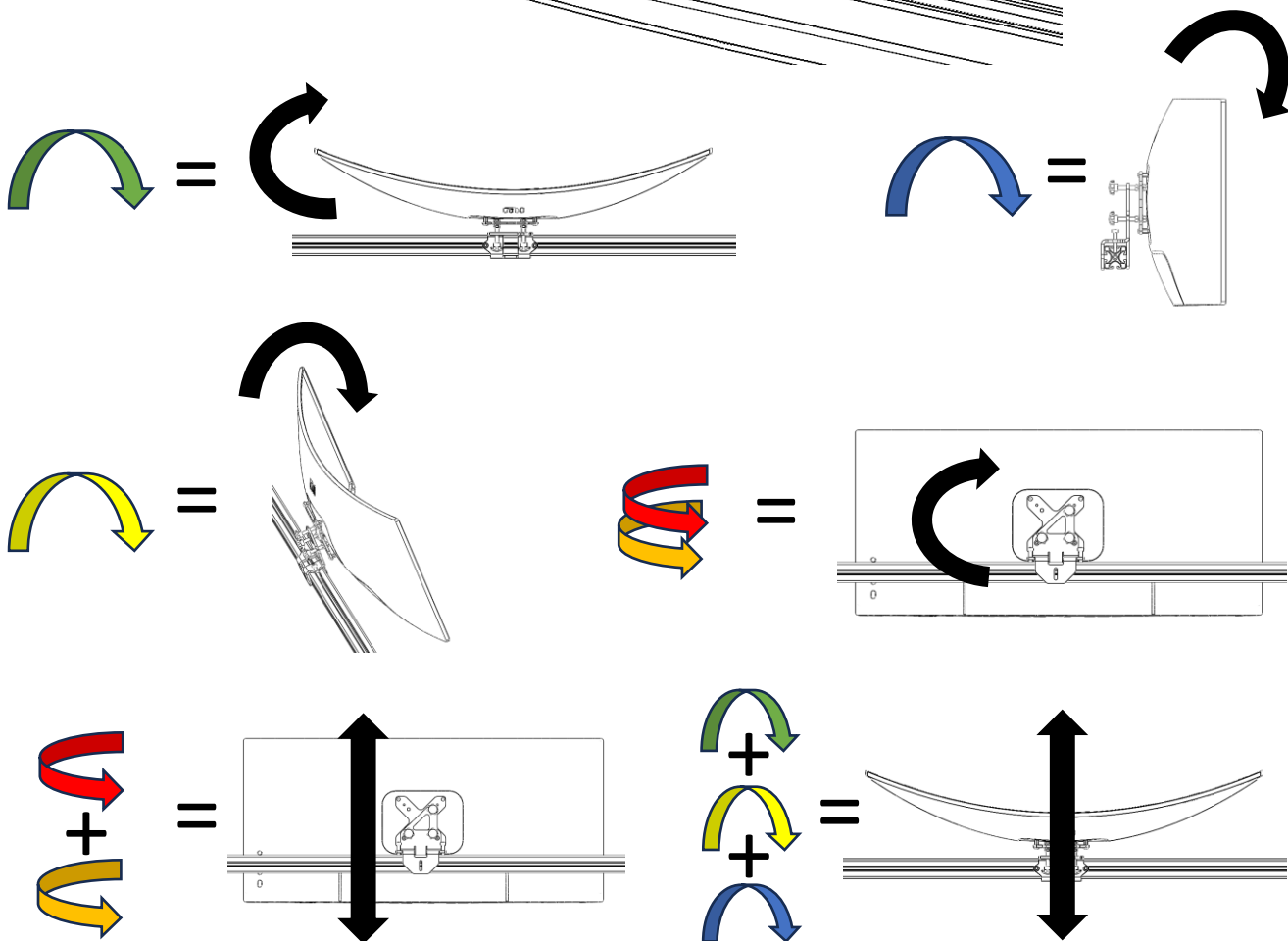
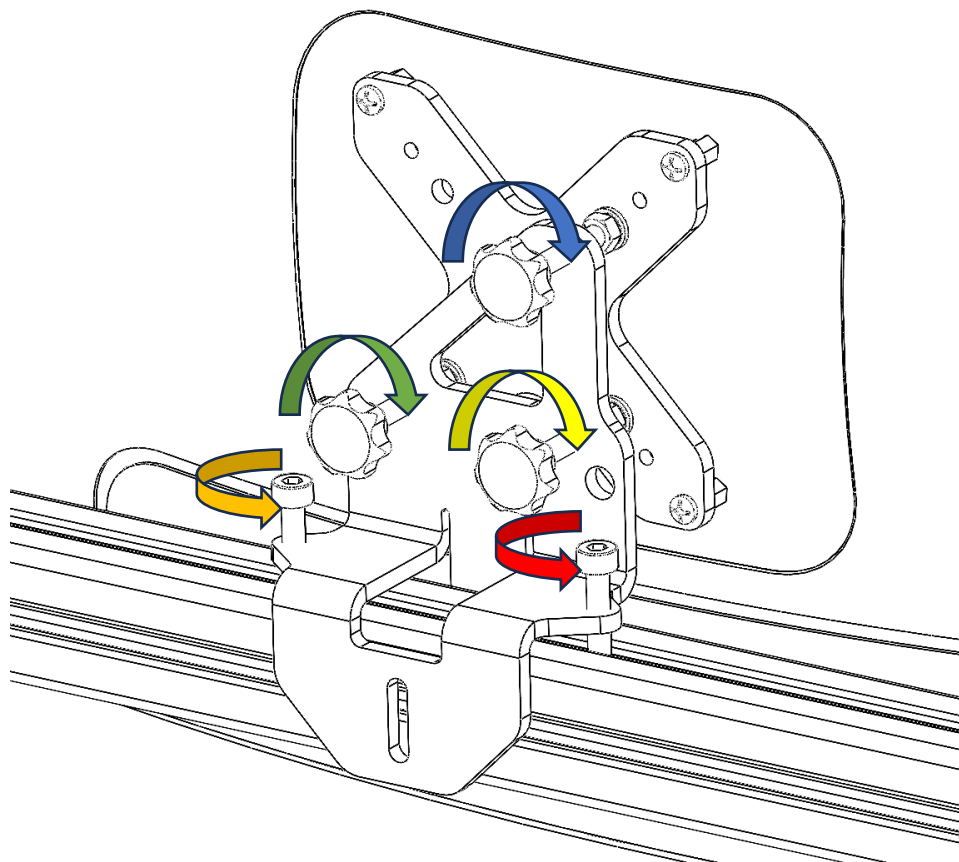


9

Place your screen on top of the desired profile.
Adjust the horizontal position by slightly lifting your monitor and by sliding the assembly along the profile.



You can now start to fine tune the position of your monitor.



11

This final step is **optional**.

If you wish to secure your monitor, use the M6x16 bolt to do so.

Please note that tightening this bolt might influence the alignment.

