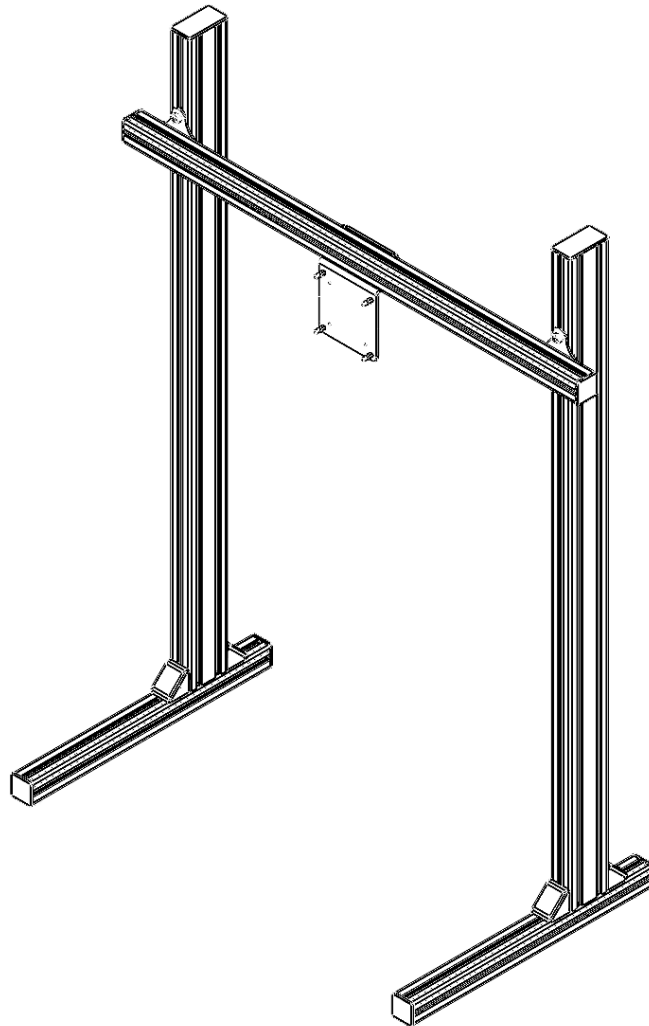
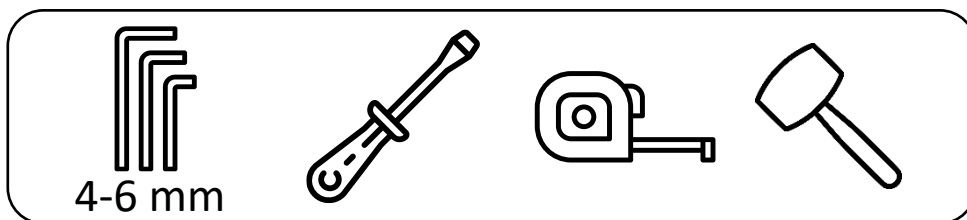


# SINGLE MONITOR STAND

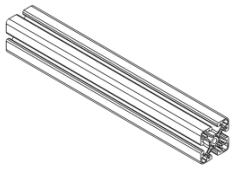
## INSTRUCTION MANUAL



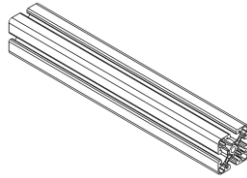
REQUIRED TOOLS:



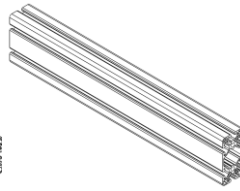
**1**



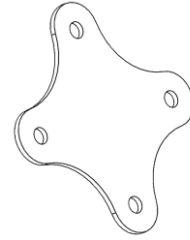
Profile 4040  
L=500  
**2x**



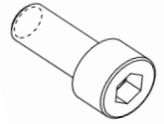
Profile 4040  
L=950  
**1x**



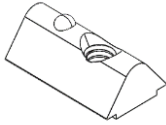
Profile 8040  
L=1170  
**2x**



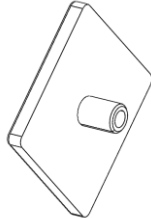
Connector Plate  
**2x**



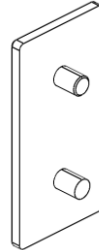
M8x16  
**8x**



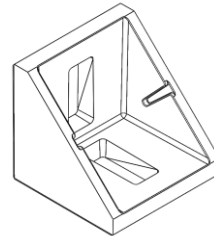
Click-in Nut M8  
**16x**



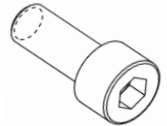
Cover 4040  
**6x**



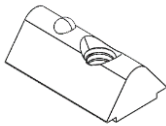
Cover 8040  
**2x**



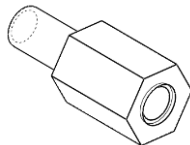
Corner 4040  
**4x**



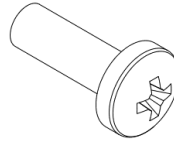
M8x16 (Black)  
**8x**



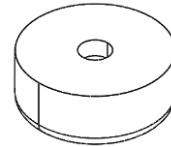
Click-in Nut M5  
**4x**



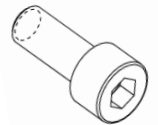
Spacer M4x10  
**4x**



M4x12  
**4x**

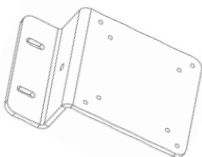


Rubber Foot 40  
**4x**

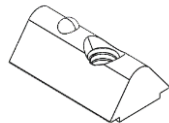


M5x12  
**4x**

### STANDARD VESA KIT:



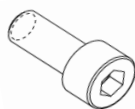
VESA Bracket  
**1x**



Click-in Nut M6  
**2x**



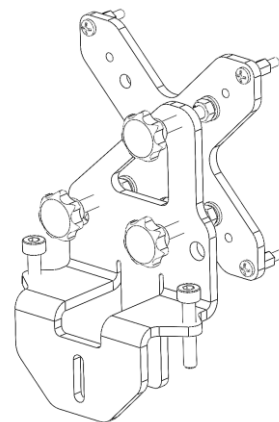
Plain Washer M6  
**2x**



M6x16  
**2x**

### EASY ALIGNMENT KIT:

(separate manual)

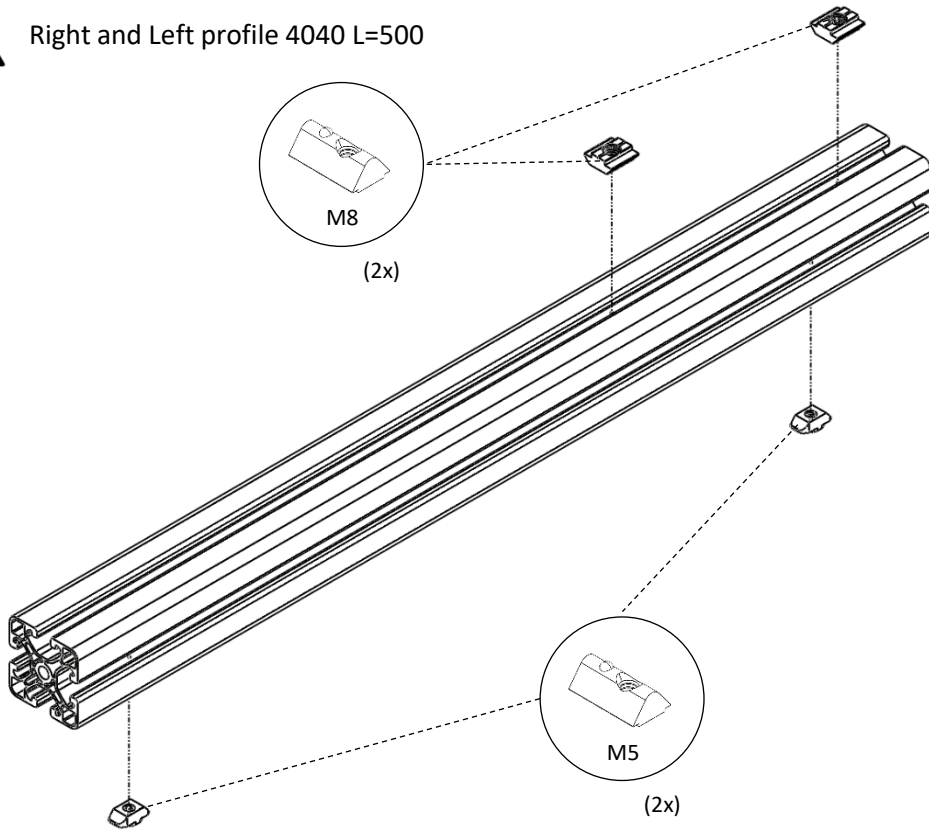


**1x**

2



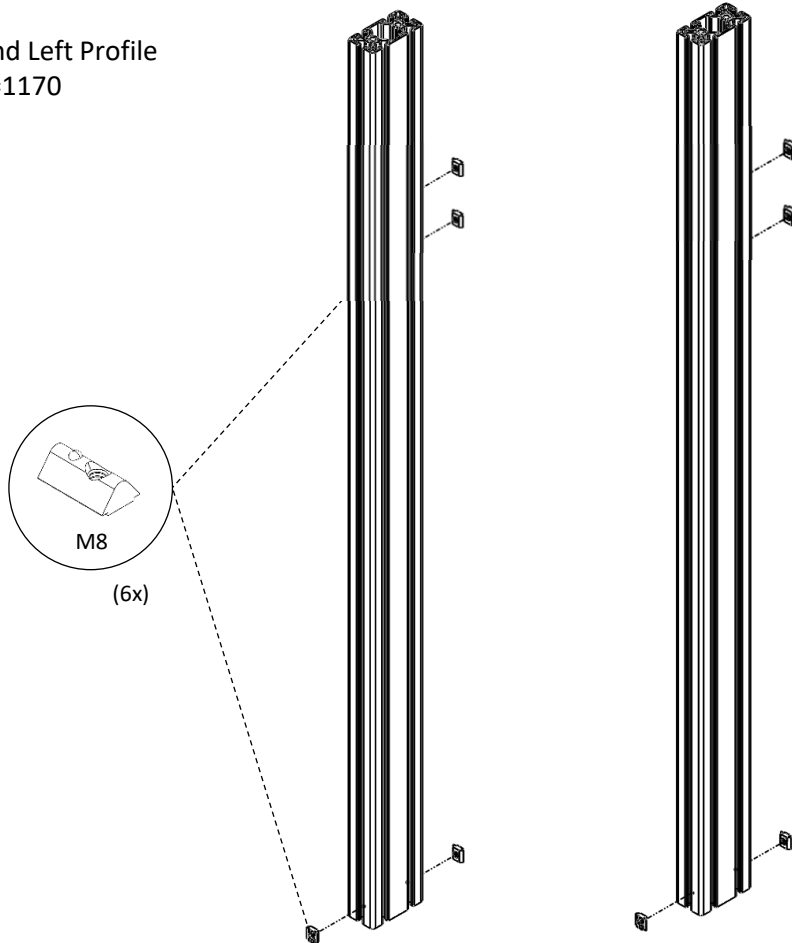
Right and Left profile 4040 L=500



3



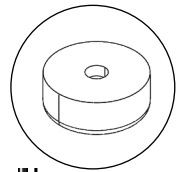
Right and Left Profile  
8040 L=1170



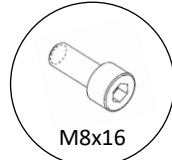
4



Assemble the stands for the Tripple Monitor Mount

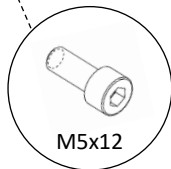


(4x)



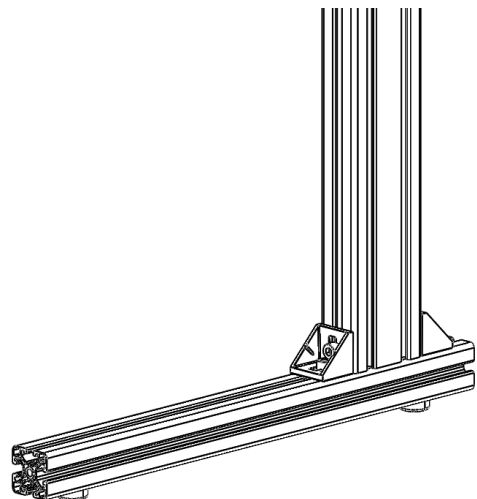
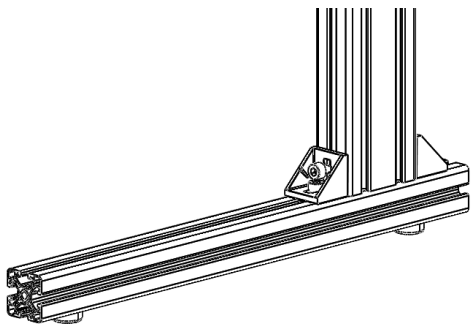
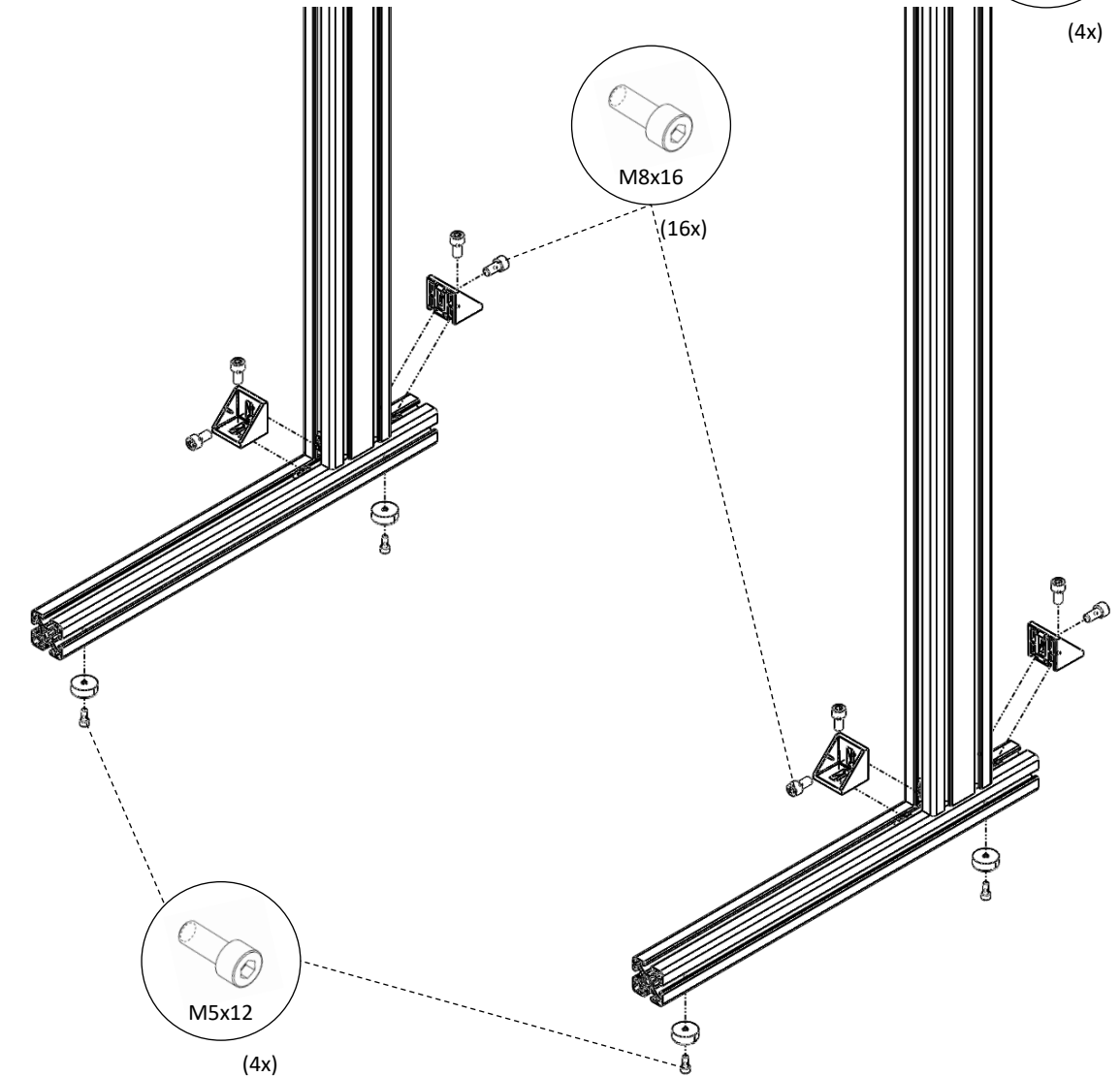
M8x16

(16x)



M5x12

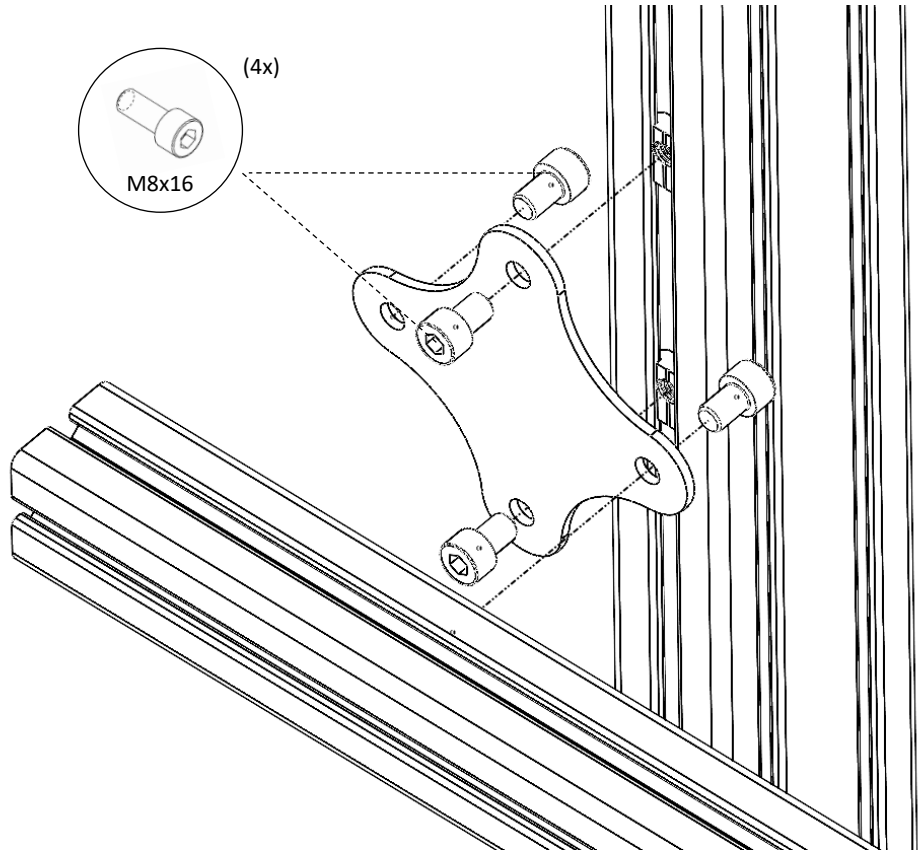
(4x)



5



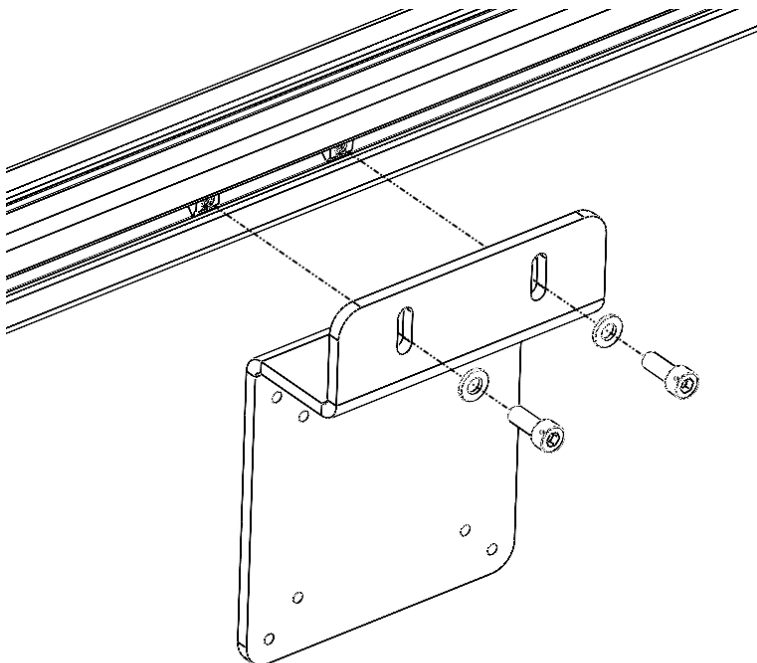
Mount the 4040 L=950 profile to the two 8040 L=1185 using the two connector plates And the black M8x12 bolts.



6



Mount the VESA bracket to the L=950 profile using the M6 nuts, bolts and washers. You can use the bracket 'upwards' or 'downwards'.

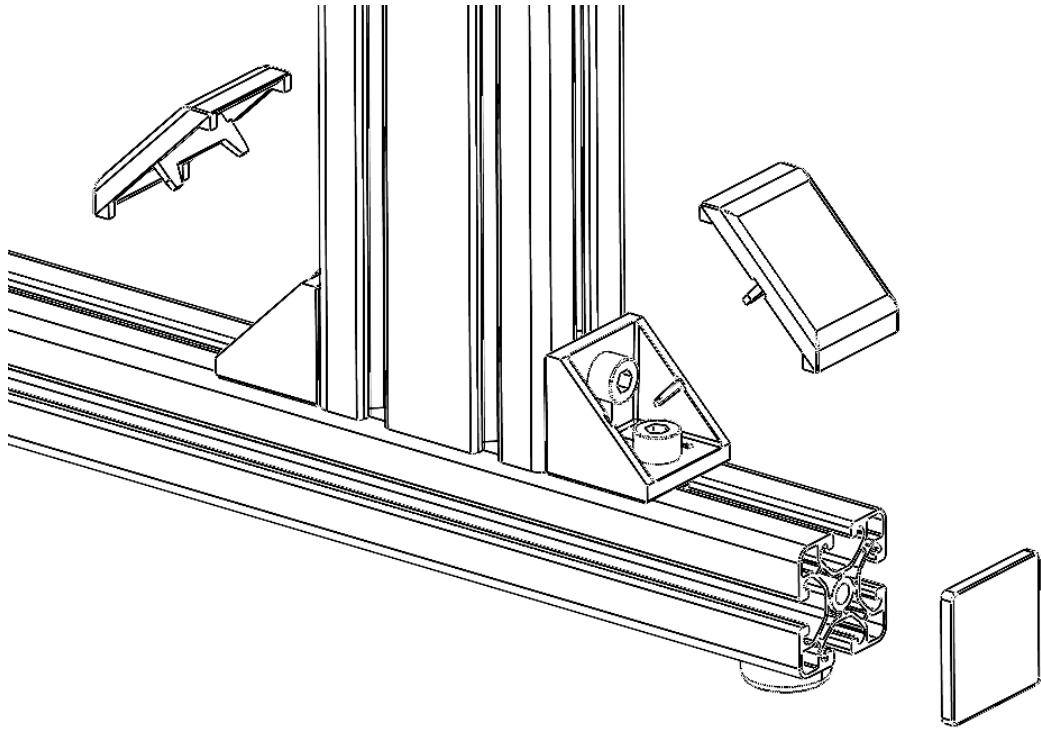


If you own a Single Monitor Stand with the **EASY MONITOR ALIGNMENT KIT**, please skip this step and see that manual for detailed mounting instructions.

7



Mount all cover caps to the open parts of corner brackets and/or profiles.



6



You are ready to mount your monitor. Use the M4 bolts provided. The M4 spacers are optional.

