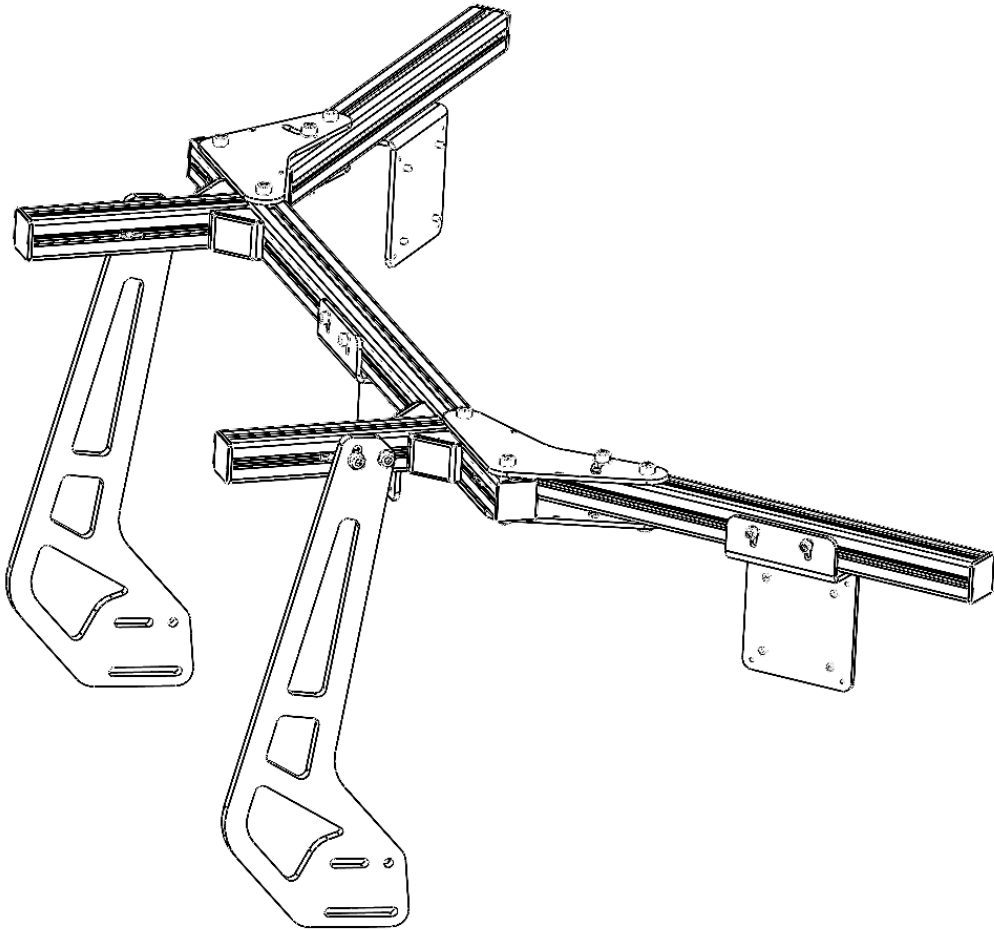


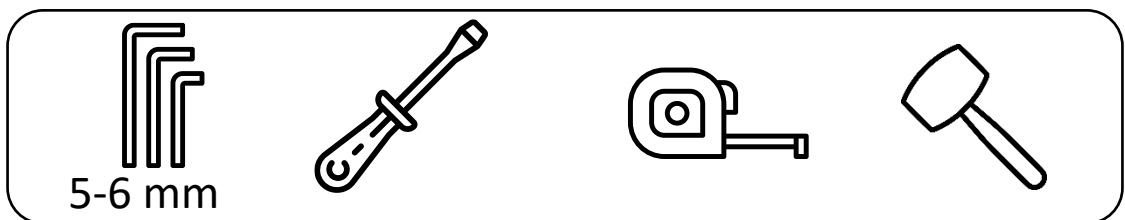
SINGLE TO TRIPLE SCREEN KIT

2 VESA PLATES

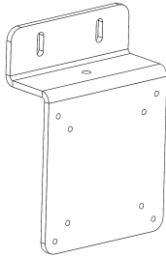
INSTRUCTION MANUAL



REQUIRED TOOLS:

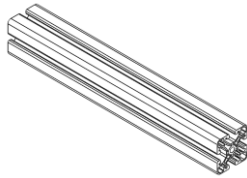


1



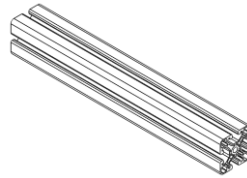
Monitor Bracket

2x



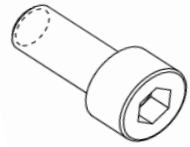
Profile 4040 L=1170

1x



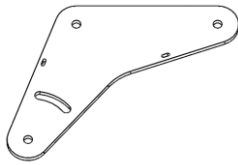
Profile 4040 L=500

2x



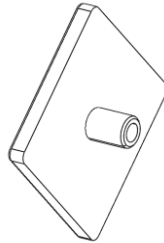
M8x16 Black

16x



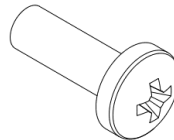
Bracket

4x



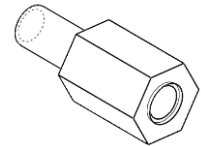
Cover 4040

6x



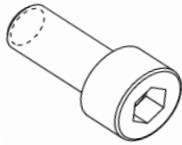
M4x12

8x



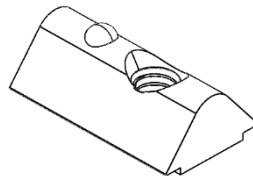
Spacer M4x10

8x



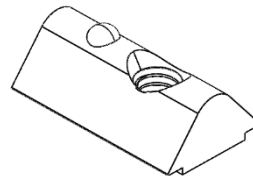
M6x16

4x



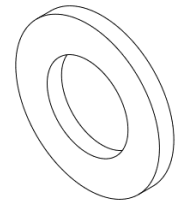
Click-in Nut M6

4x



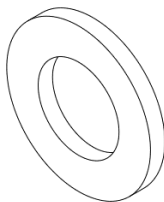
Click-in Nut M8

16x



Plain Washer M8

4x



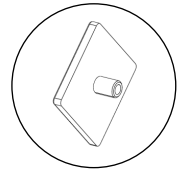
Plain Washer M6

4x

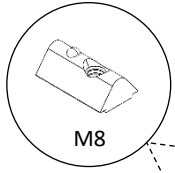
2



Left profile 4040 L=500

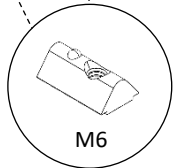
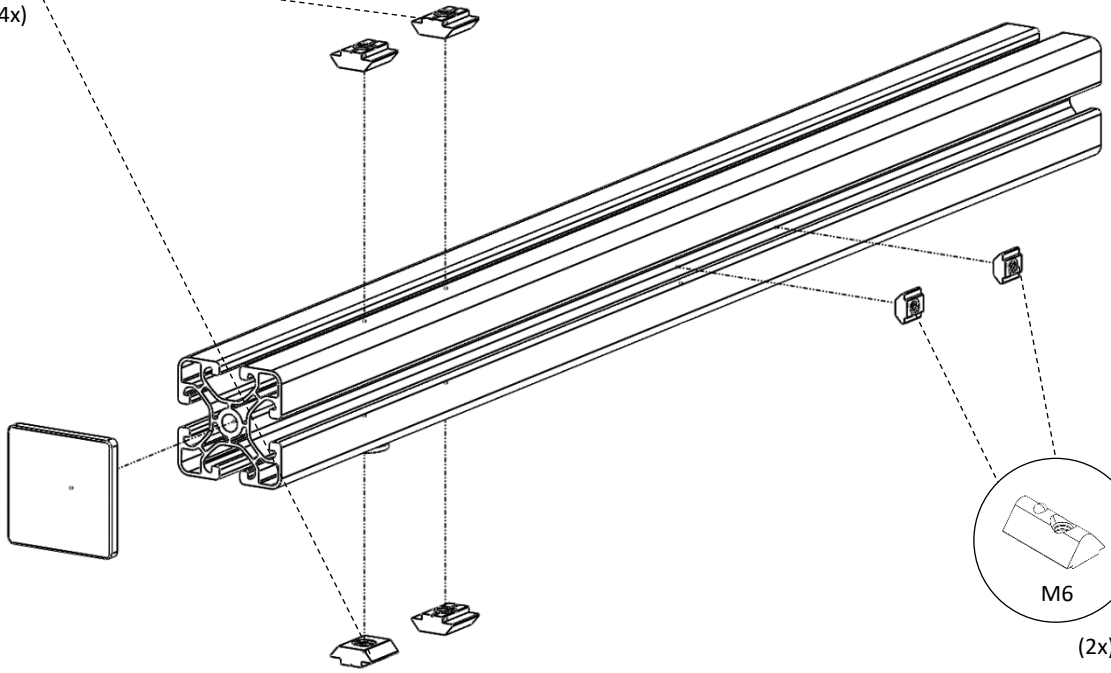


(1x)



M8

(4x)



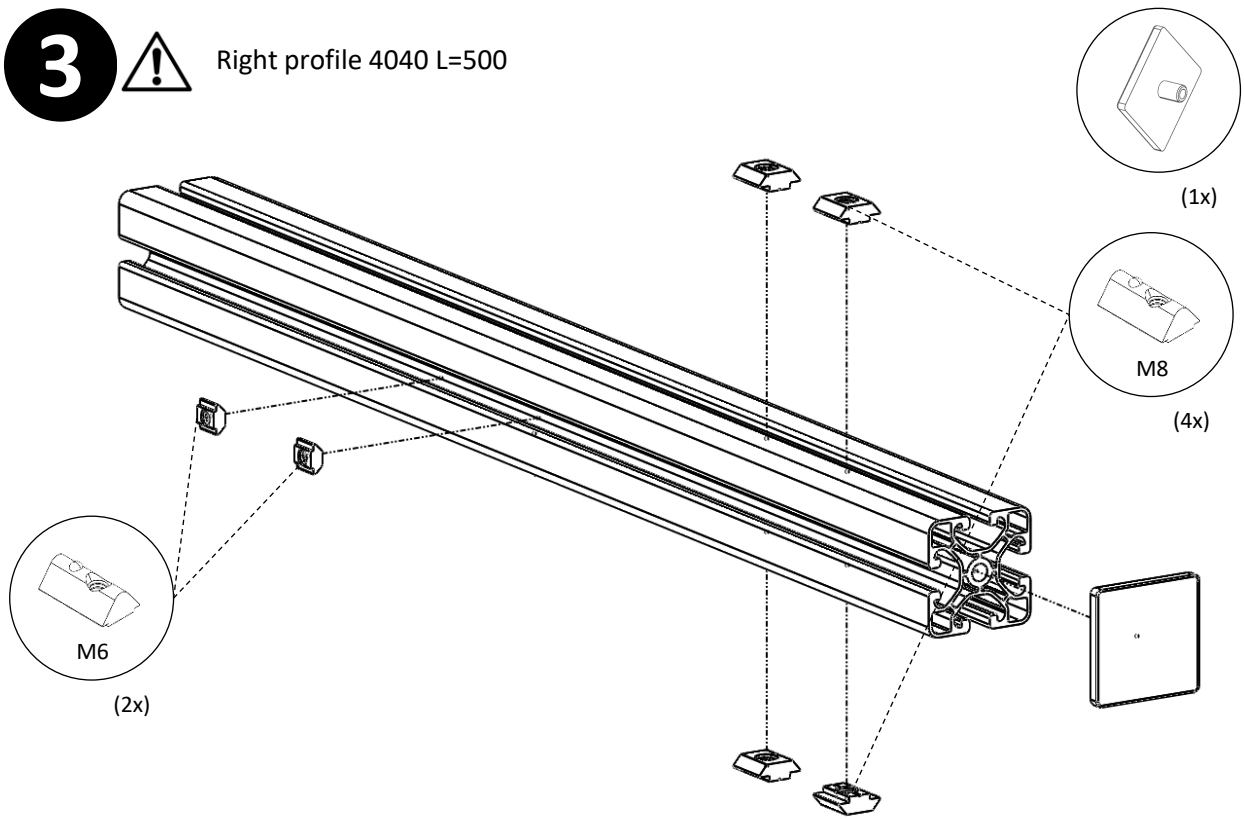
M6

(2x)

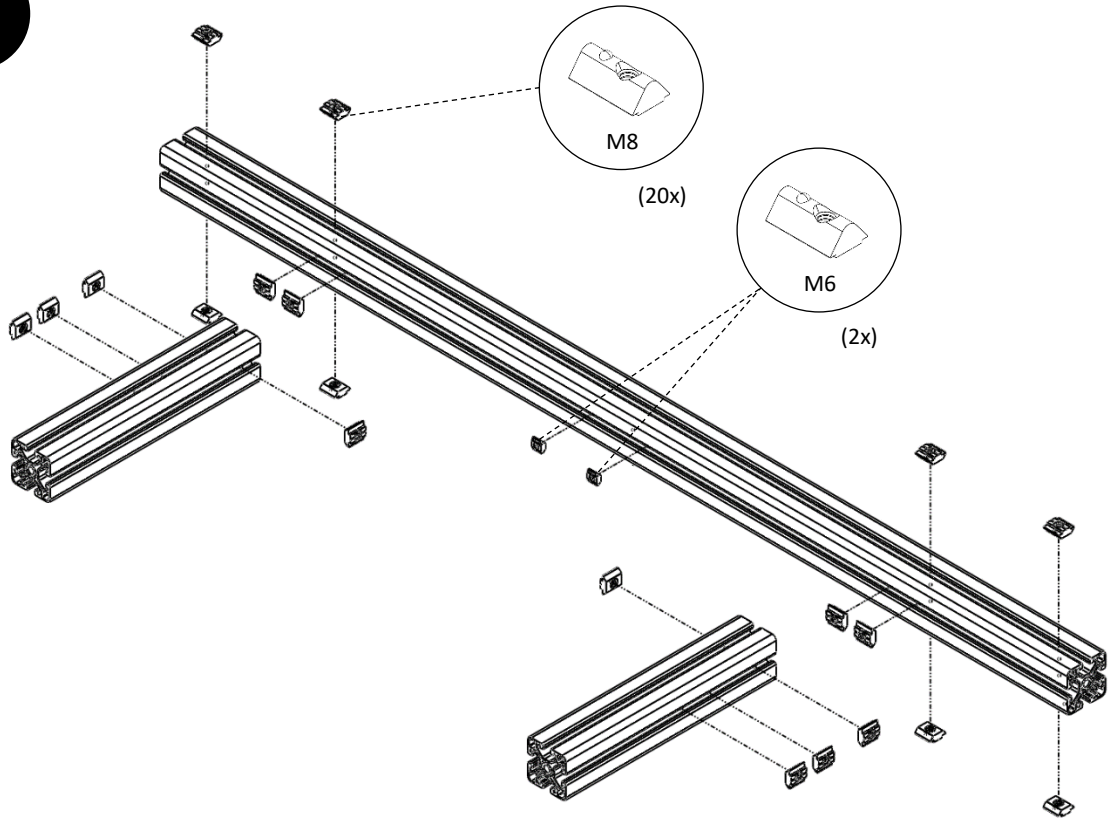
3



Right profile 4040 L=500

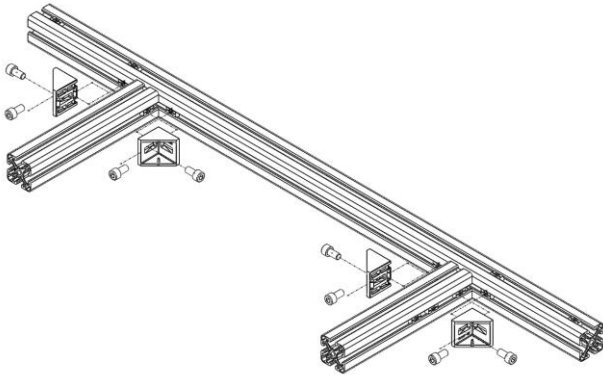


4

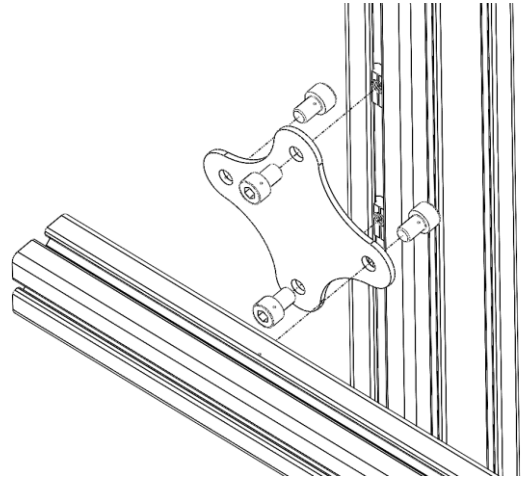


6

Mount the 4040 L=950 profile to your existing Unified profiles, or to your Stand.

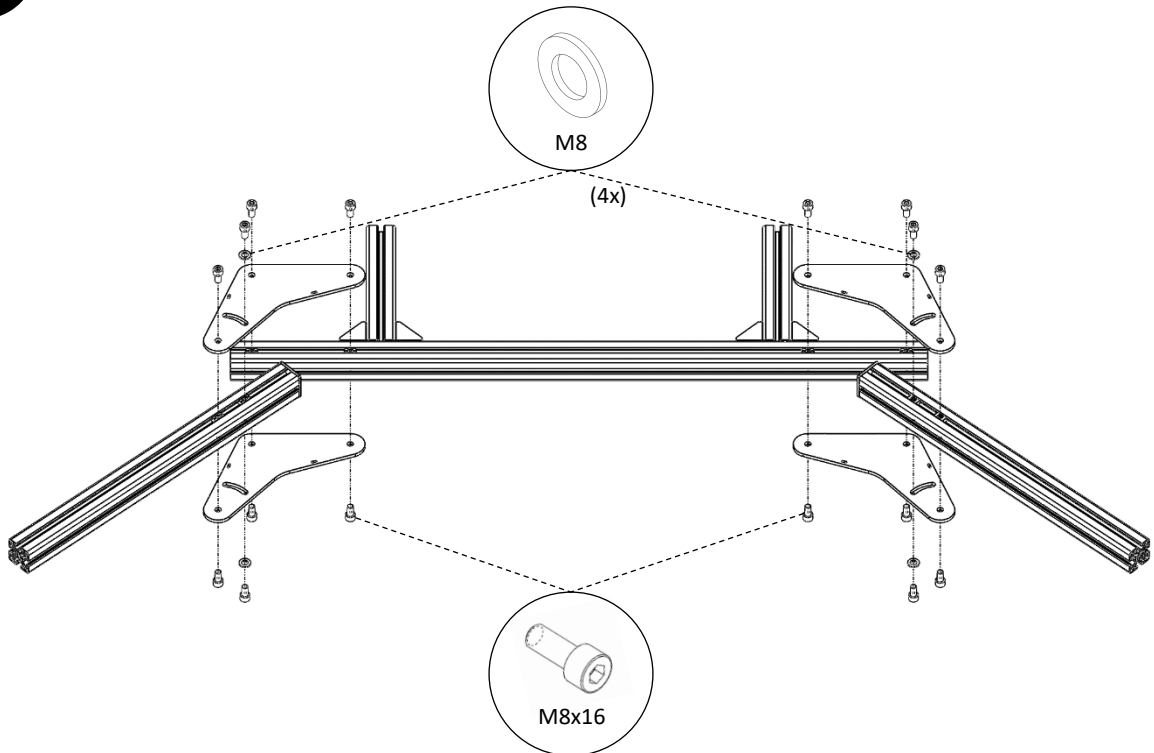


Option A: Mount it to the Unified Single Monitor Mount



Option B: Mount it to the Single Monitor Stand

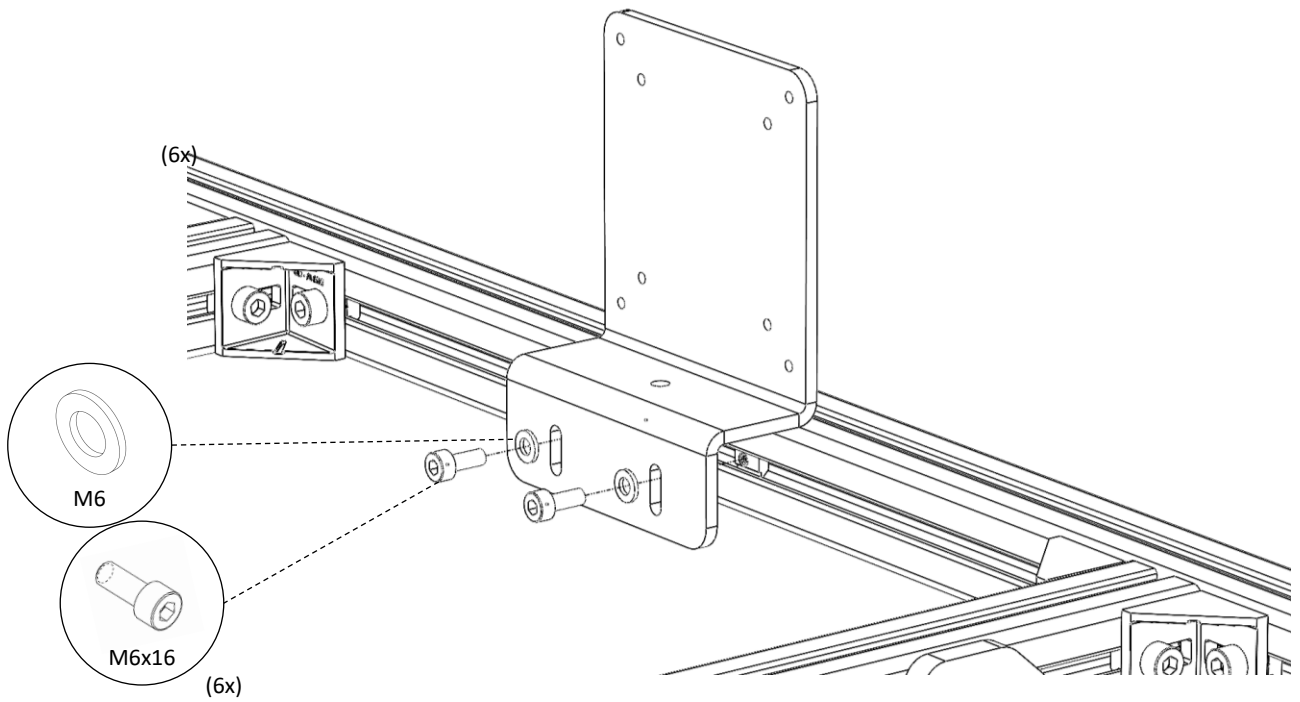
7



8

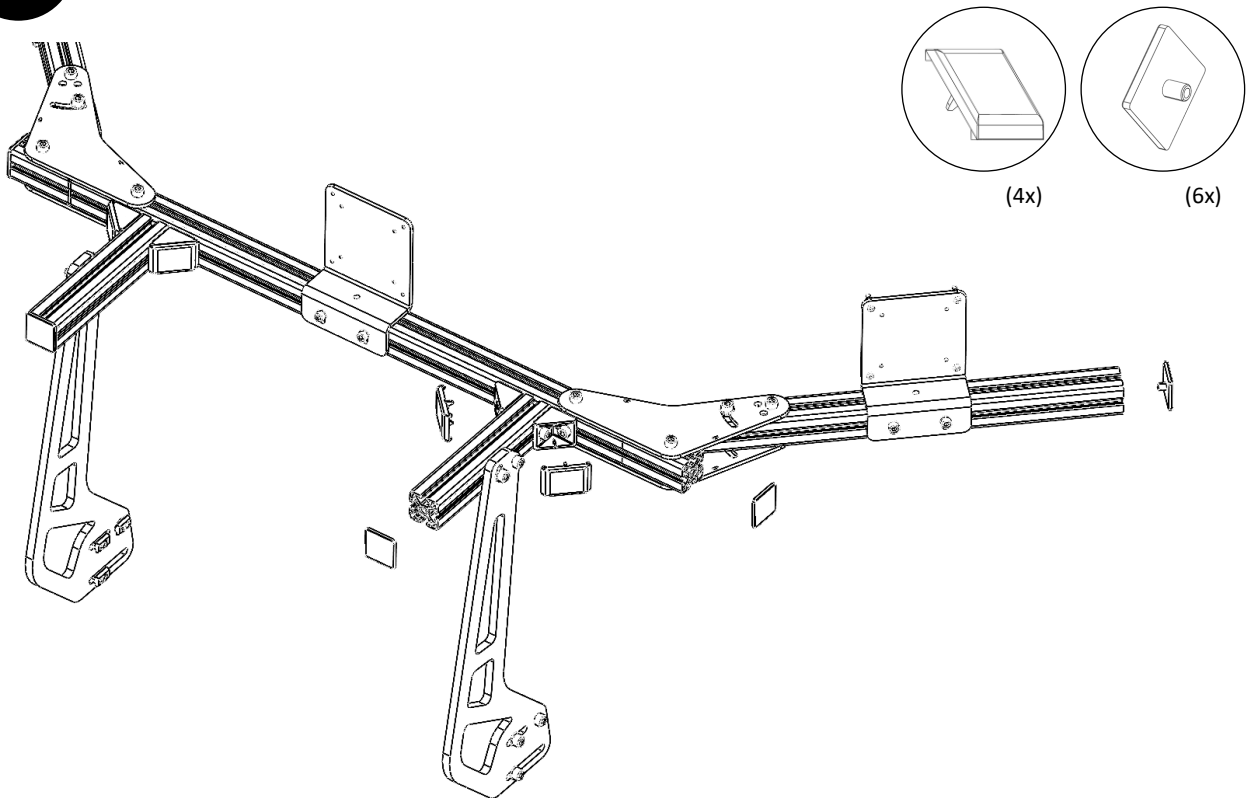


VESA bracket can be mounted up- or downwards. For screens > 27" we recommend mounting it upwards.



9

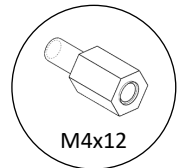
Place all the cover caps.



10



If necessary, use M4x10 spacers (included in package)



M4x12

(12x)

