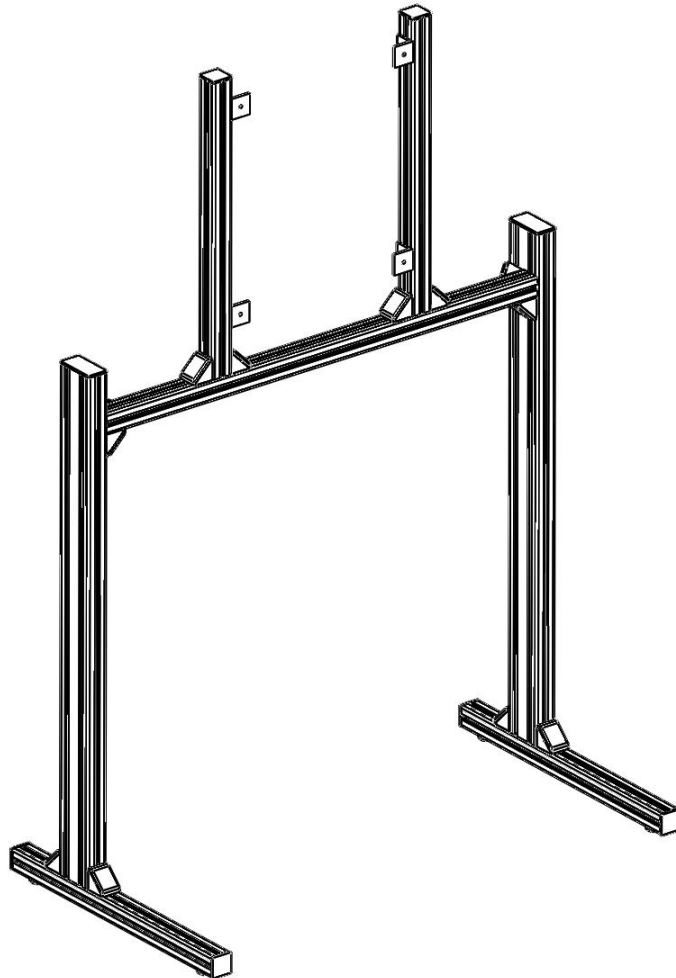
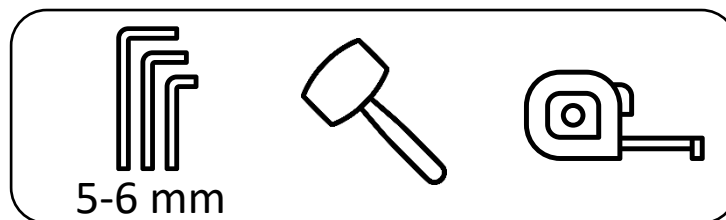


TELEVISION STAND

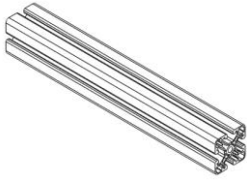
INSTRUCTION MANUAL



REQUIRED TOOLS:

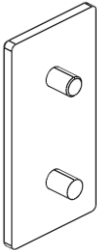


1



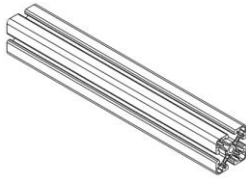
Profile 4040 L=570

4x



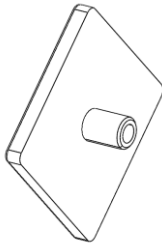
Cover 8040

2x



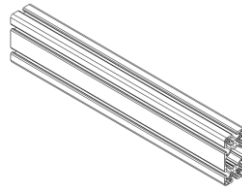
Profile 4040 L=950

1x



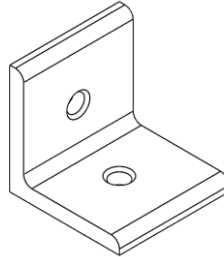
Cover 4040

6x



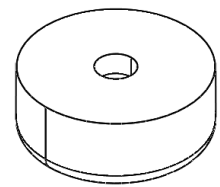
Profile 8040 L=985

2x



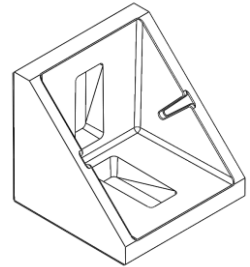
Corner L 4040

4x



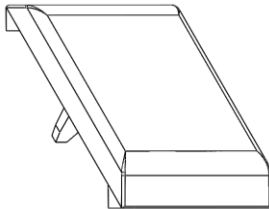
Rubber Foot 40

4x



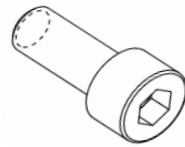
Corner 4040

12x



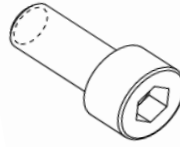
Corner Cover 4040

12x



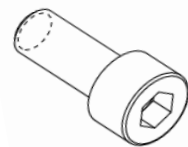
M5x12

4x



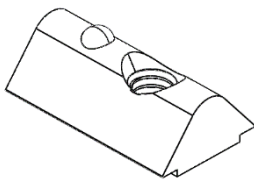
M8x16

28x



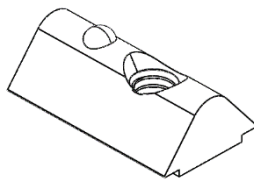
M6x20

4x



Click-in Nut M8

28x



Click-in Nut M5

4x



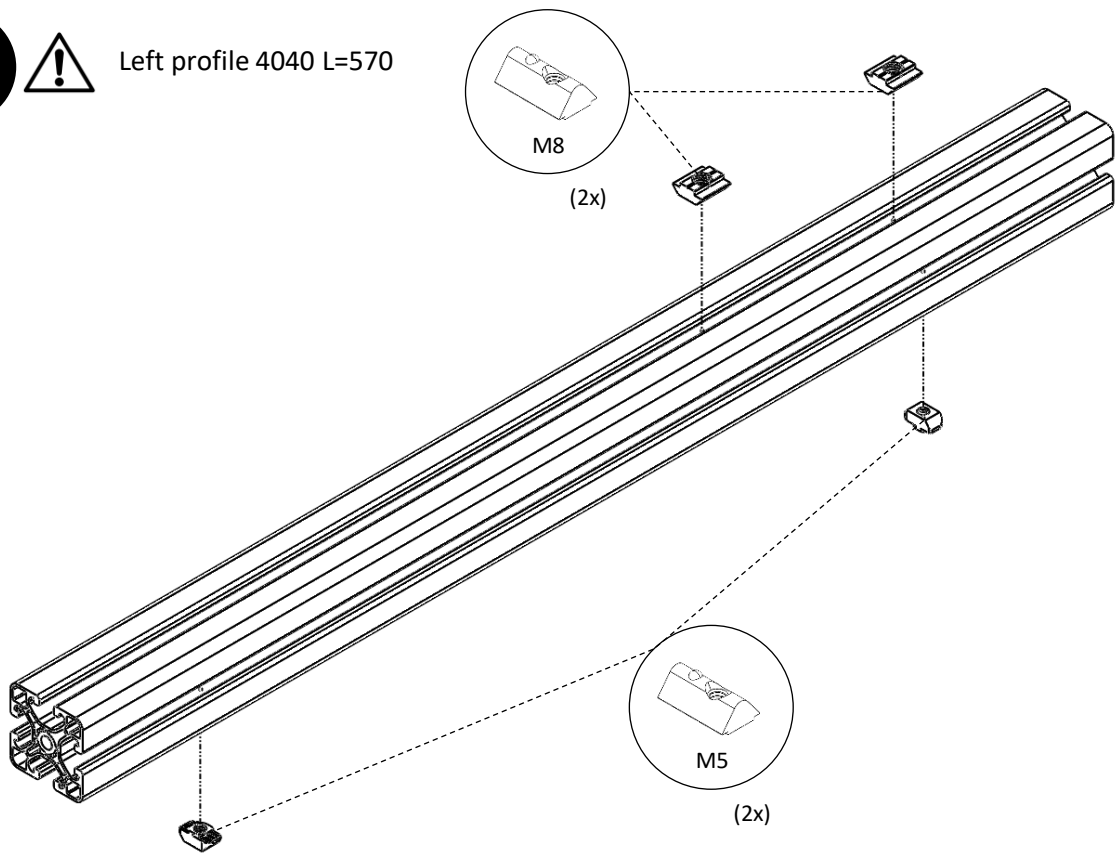
Washer M6

4x

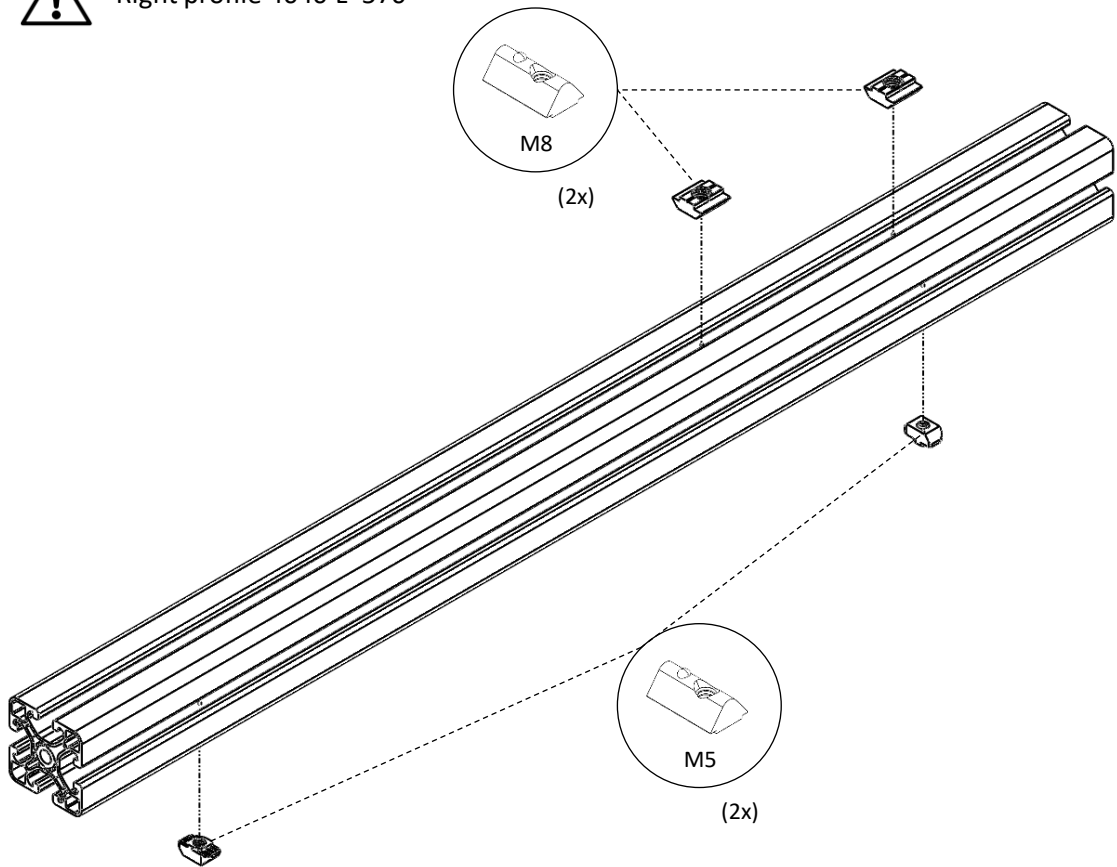
2



Left profile 4040 L=570



Right profile 4040 L=570



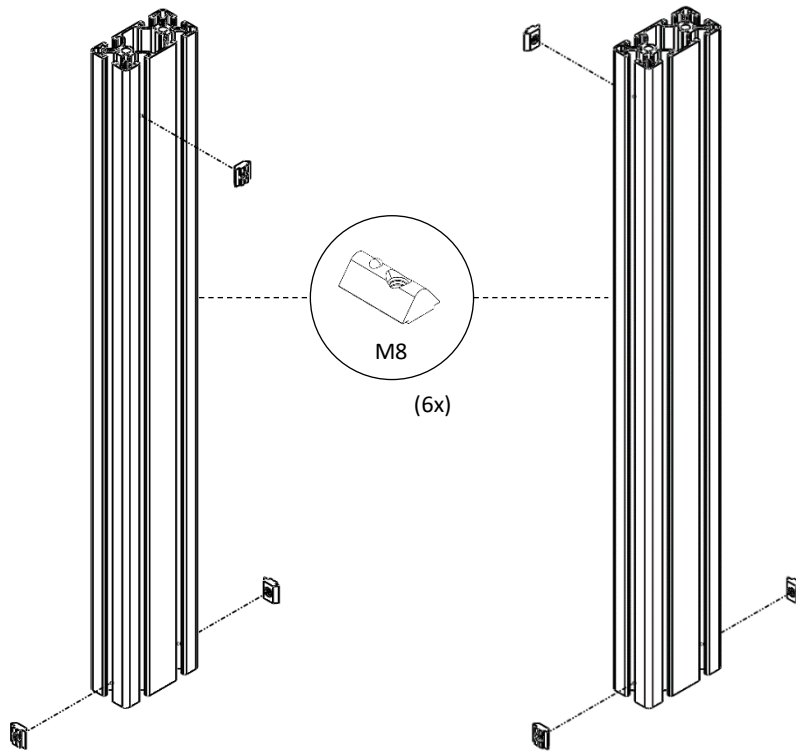
3



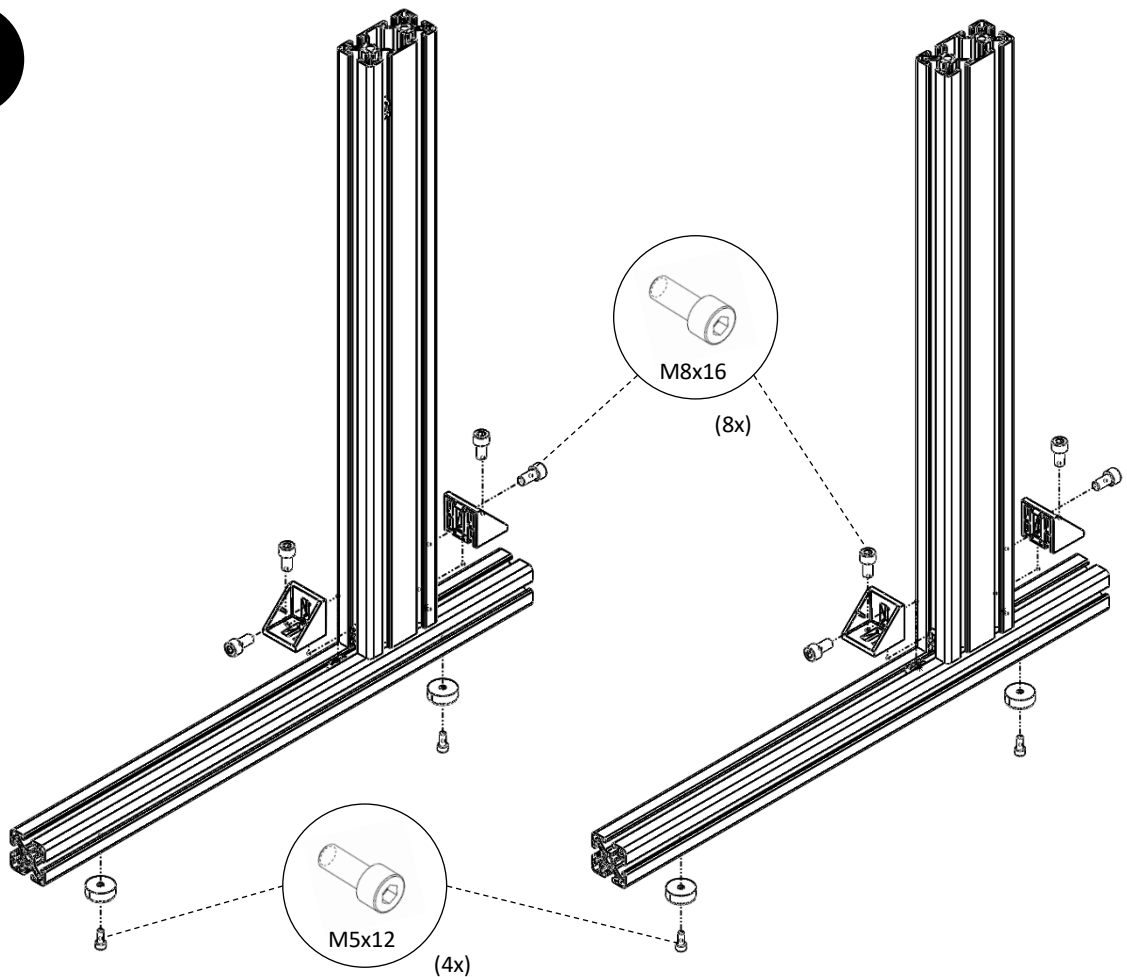
Left profile 8040 L=985



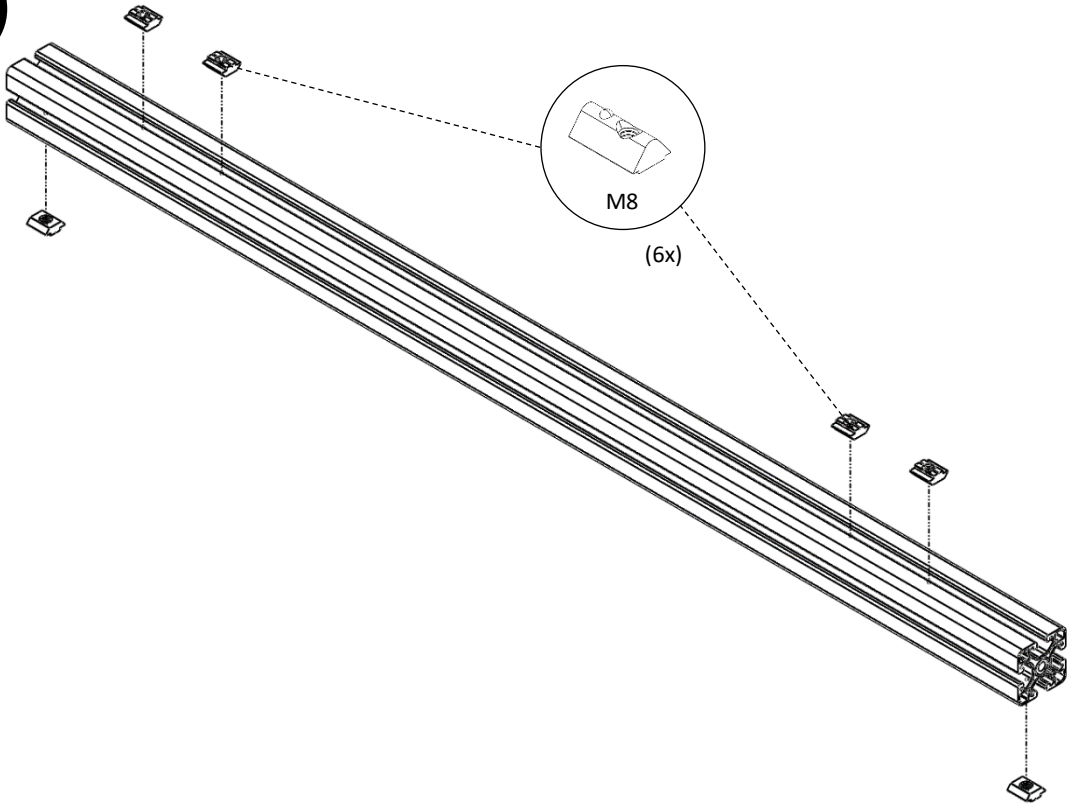
Right profile 8040 L=985



4



5



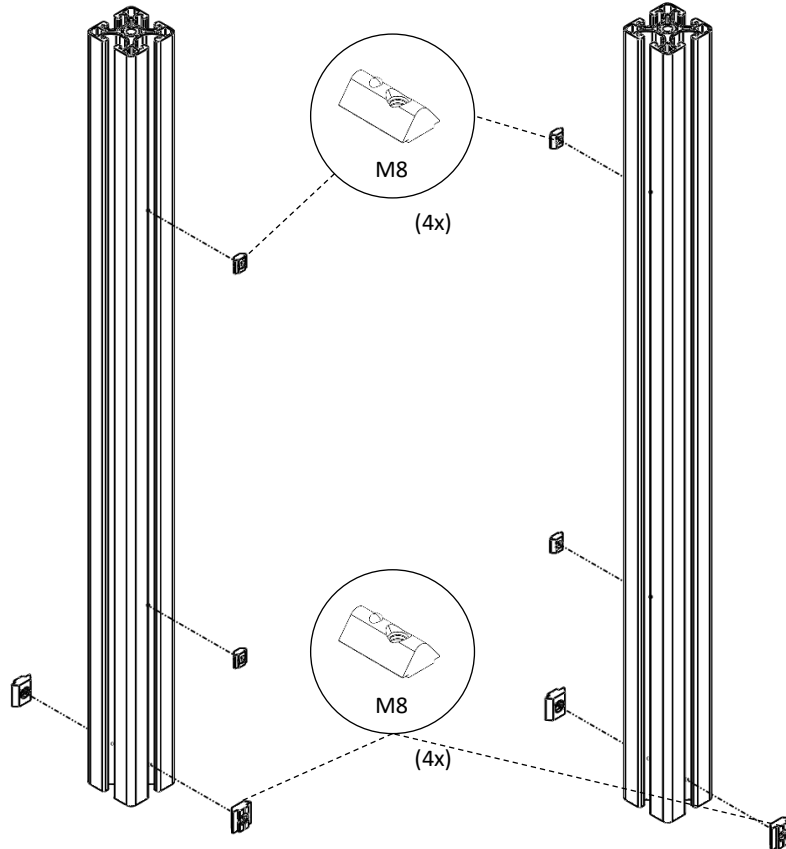
6



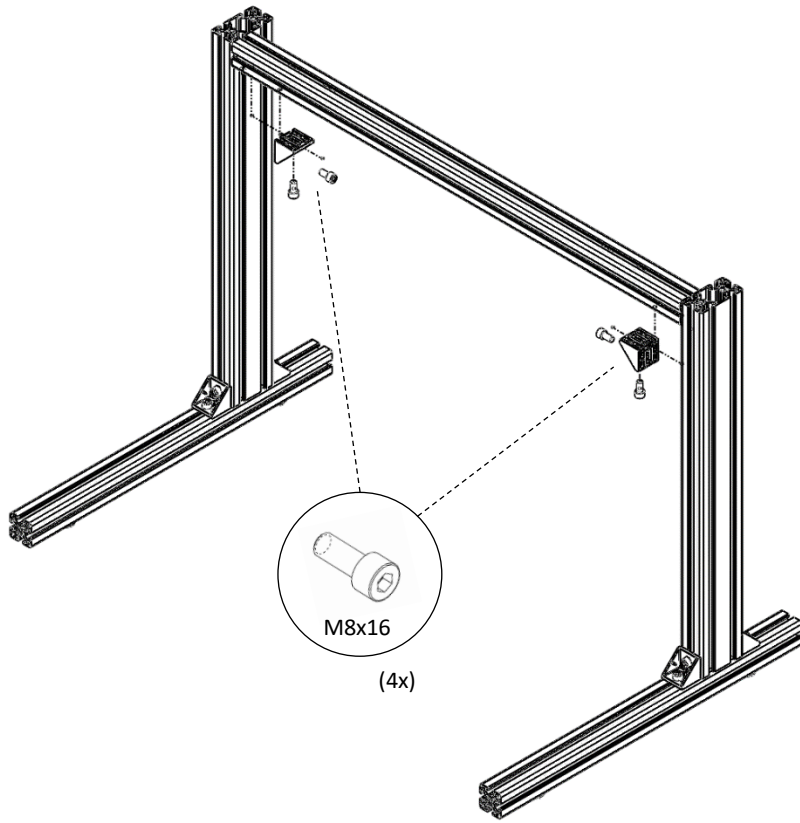
Left profile 4040 L=570



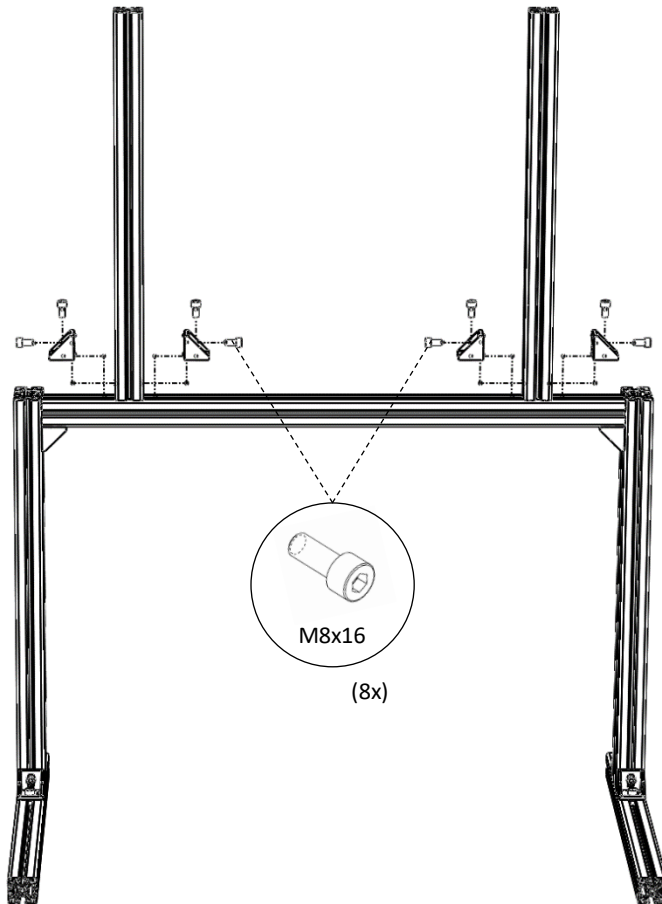
Right profile 4040 L=570



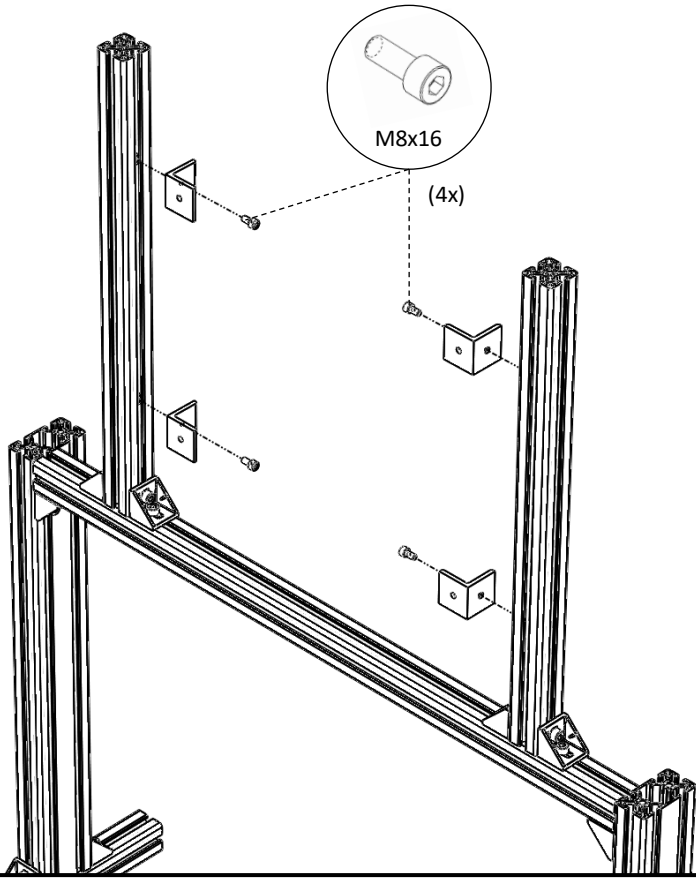
7



8



9



10

