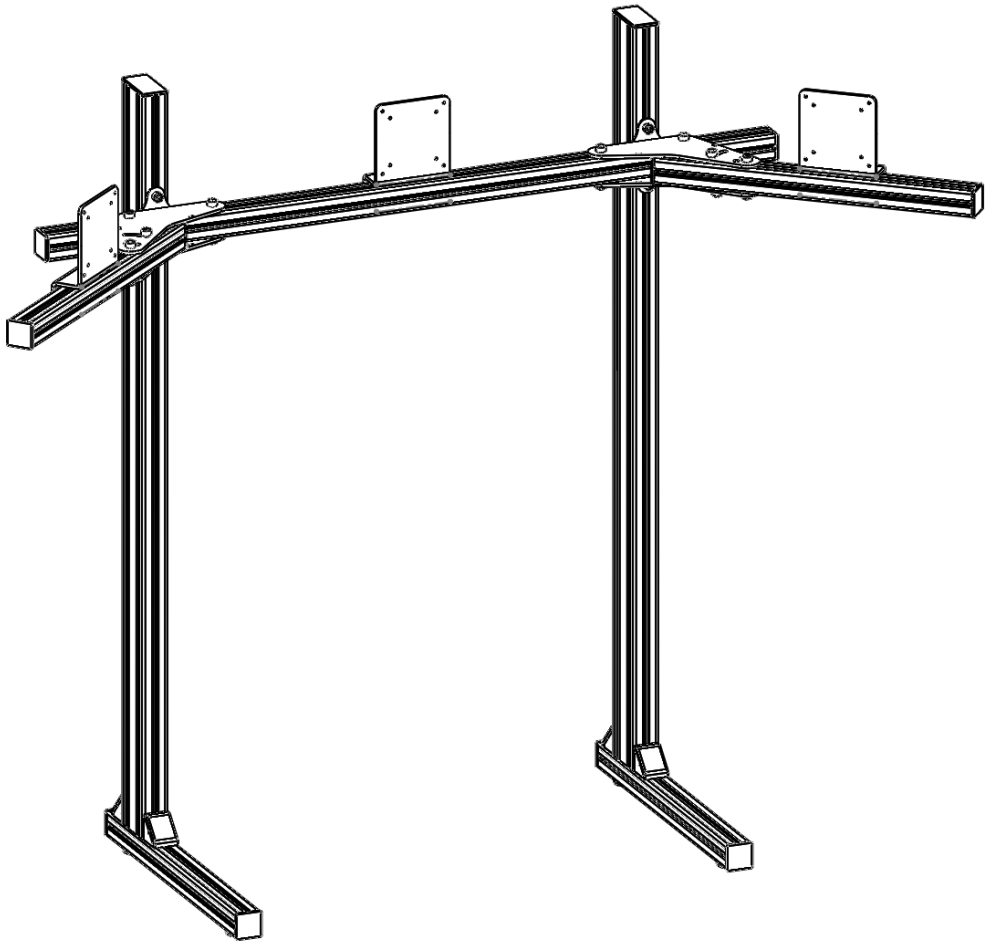
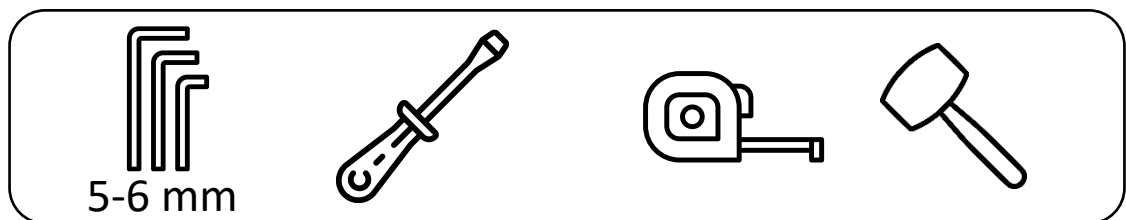


# TRIPLE MONITOR STAND

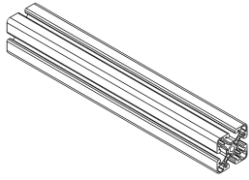
## INSTRUCTION MANUAL



### REQUIRED TOOLS:

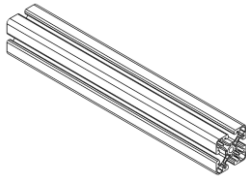


**1**



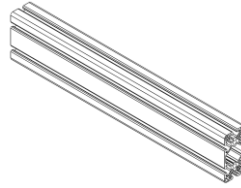
Profile 4040 L=500

**4x**



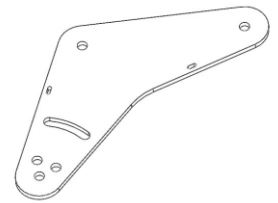
Profile 4040 L=1170

**1x**



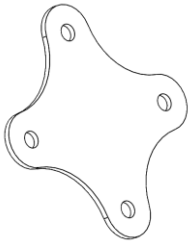
Profile 8040 L=1170

**2x**



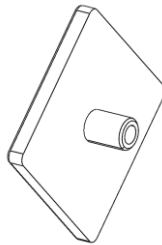
Bracket

**4x**



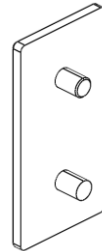
Connector Plate

**2x**



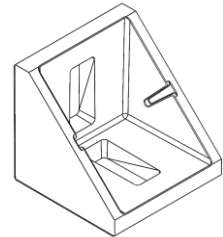
Cover 4040

**10x**



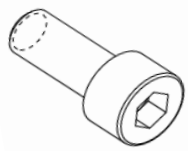
Cover 8040

**2x**



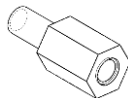
Corner 4040

**4x**



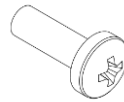
M8x16

**32x**  
(24x Black)



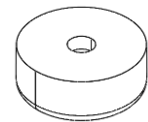
Spacer M4x10

**12x**



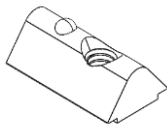
M4x12

**12x**



Rubber Foot 40

**4x**



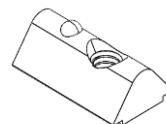
Click-in Nut M8

**32x**



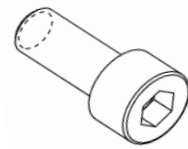
Plain Washer M8

**4x**



Click-in Nut M5

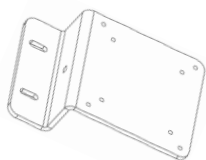
**4x**



M5x12

**4x**

## STANDARD VESA KIT:



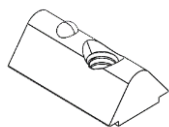
VESA Bracket

3x



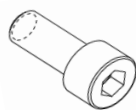
Plain Washer M6

6x



Click-in Nut M6

6x

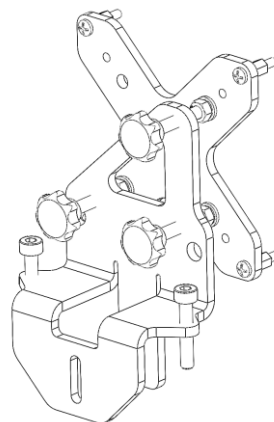


M6x16

6x

## EASY ALIGNMENT KIT:

(separate manual)

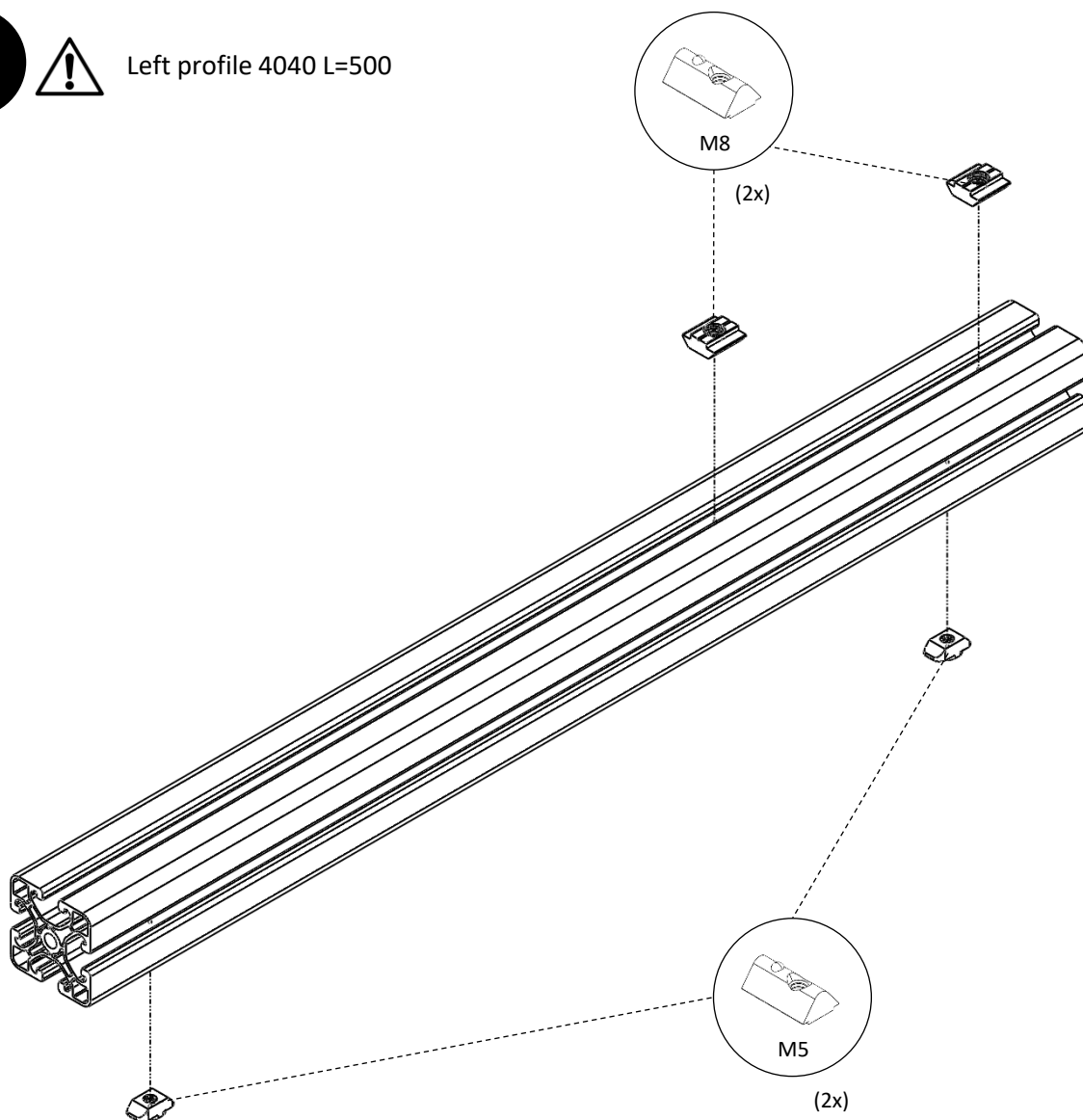


3x

2



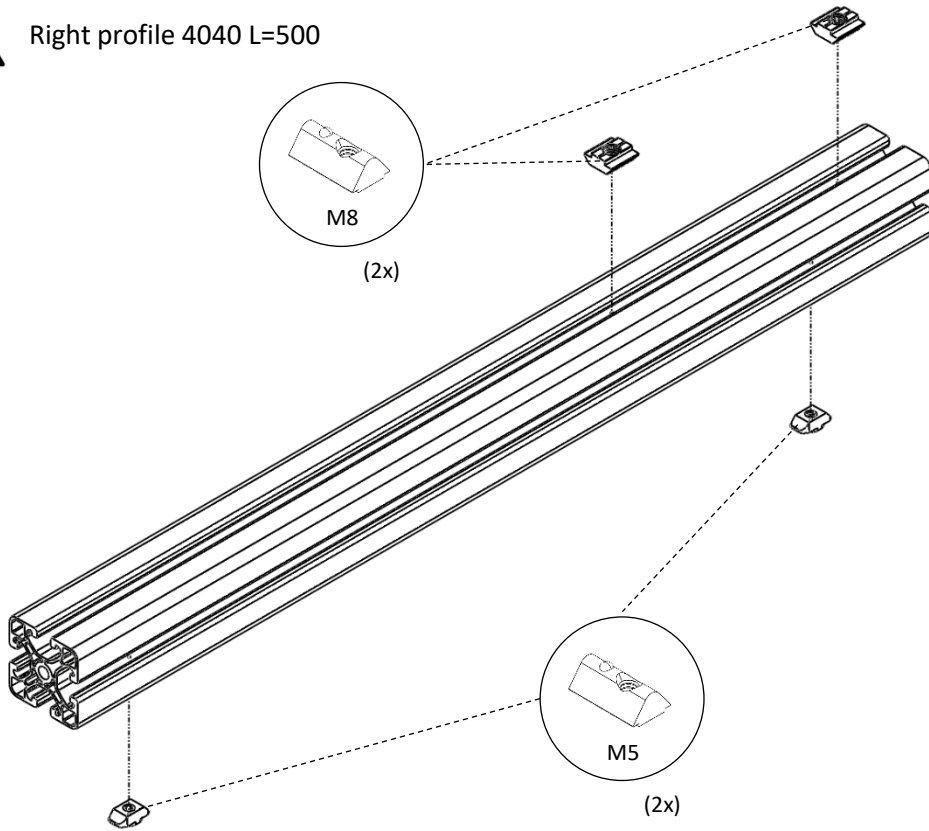
Left profile 4040 L=500



3



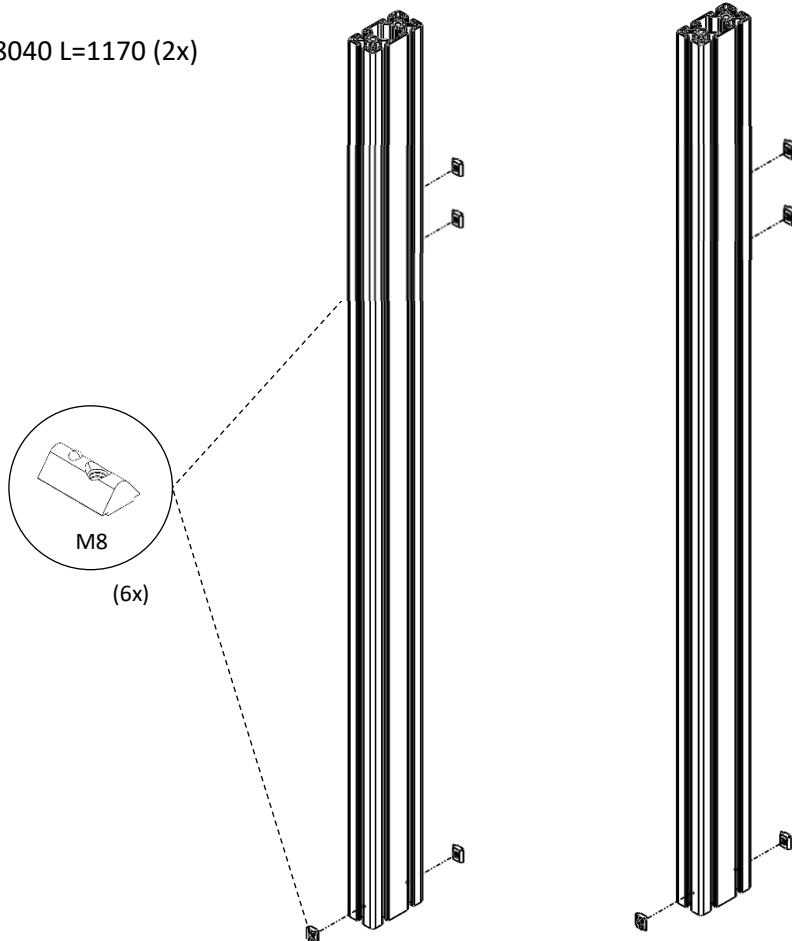
Right profile 4040 L=500



4



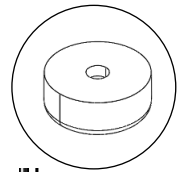
Profile 8040 L=1170 (2x)



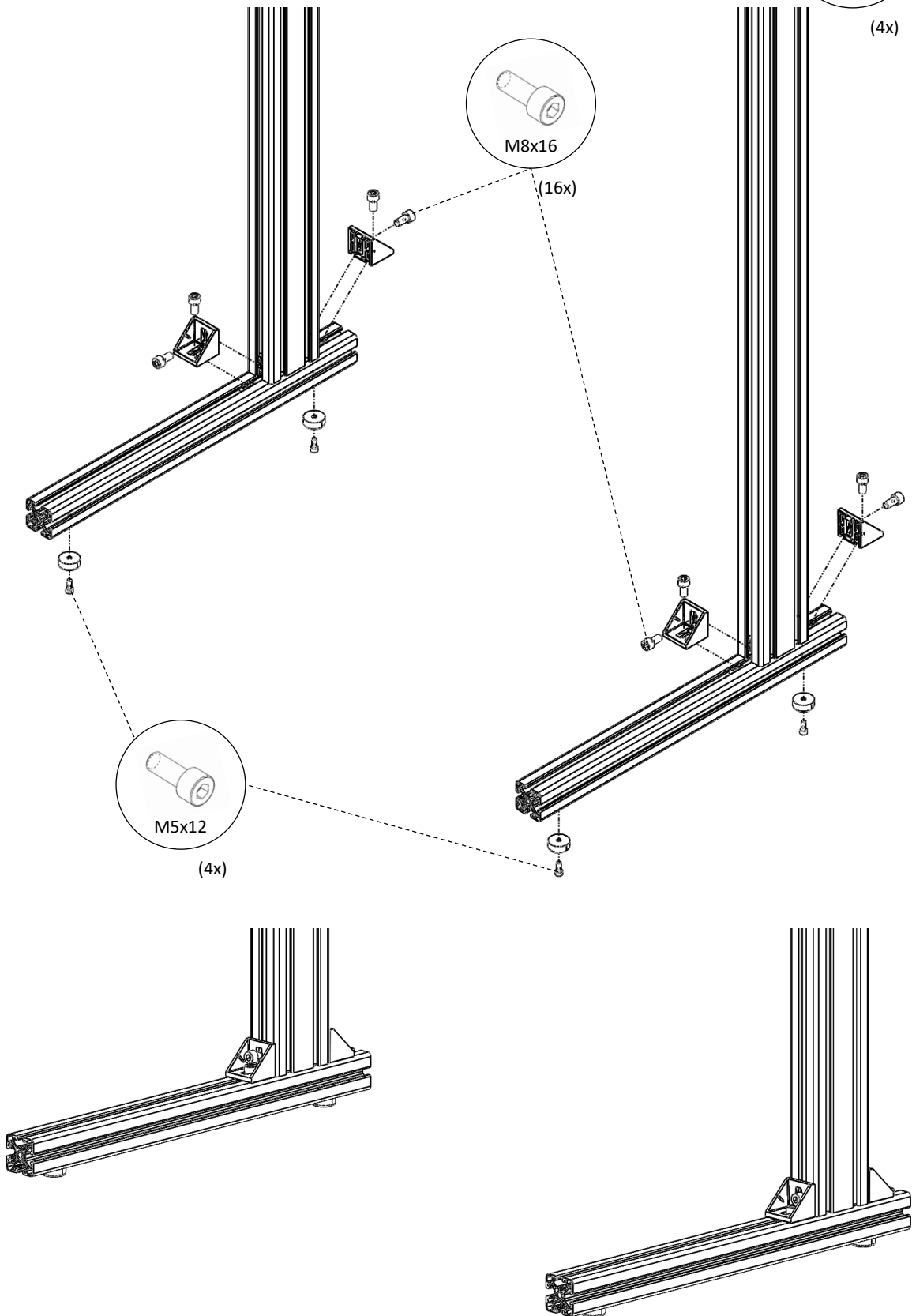
5



Assemble the stands for the Tripple Monitor Mount



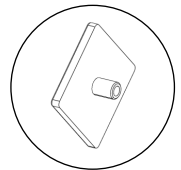
(4x)



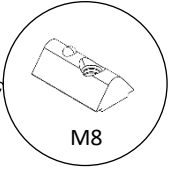
6



Right profile 4040 L=500

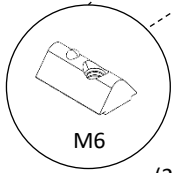


(1x)



M8

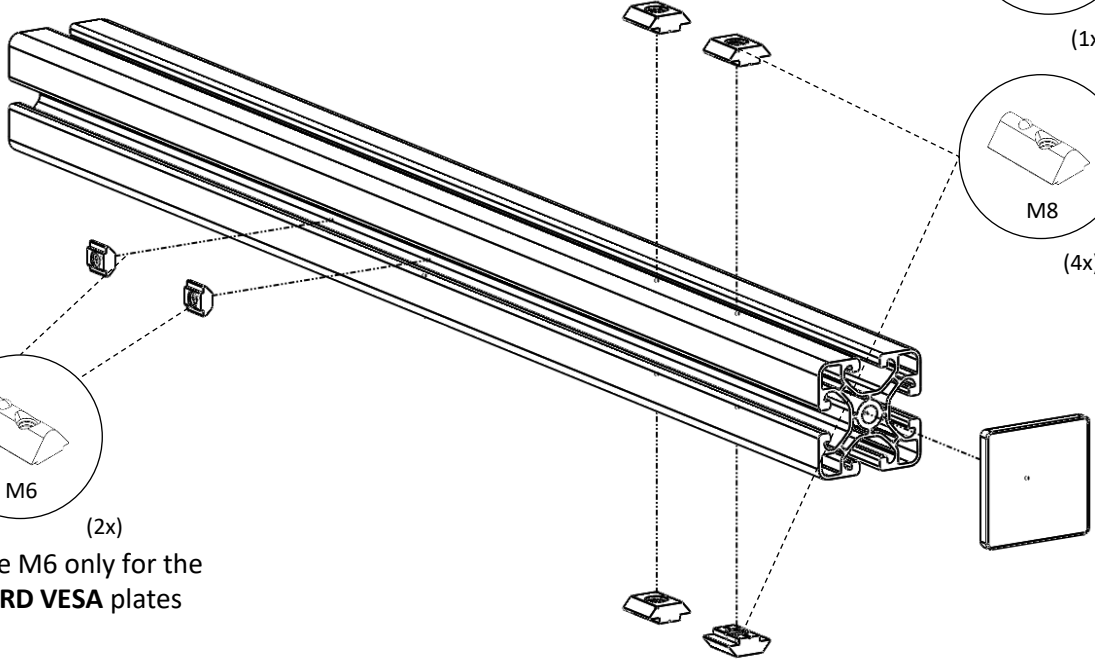
(4x)



M6

(2x)

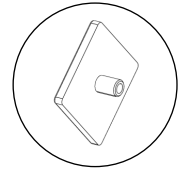
Place these M6 only for the  
**STANDARD VESA** plates



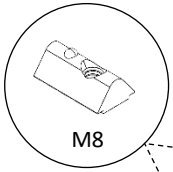
7



Left profile 4040 L=500

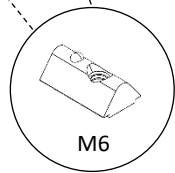
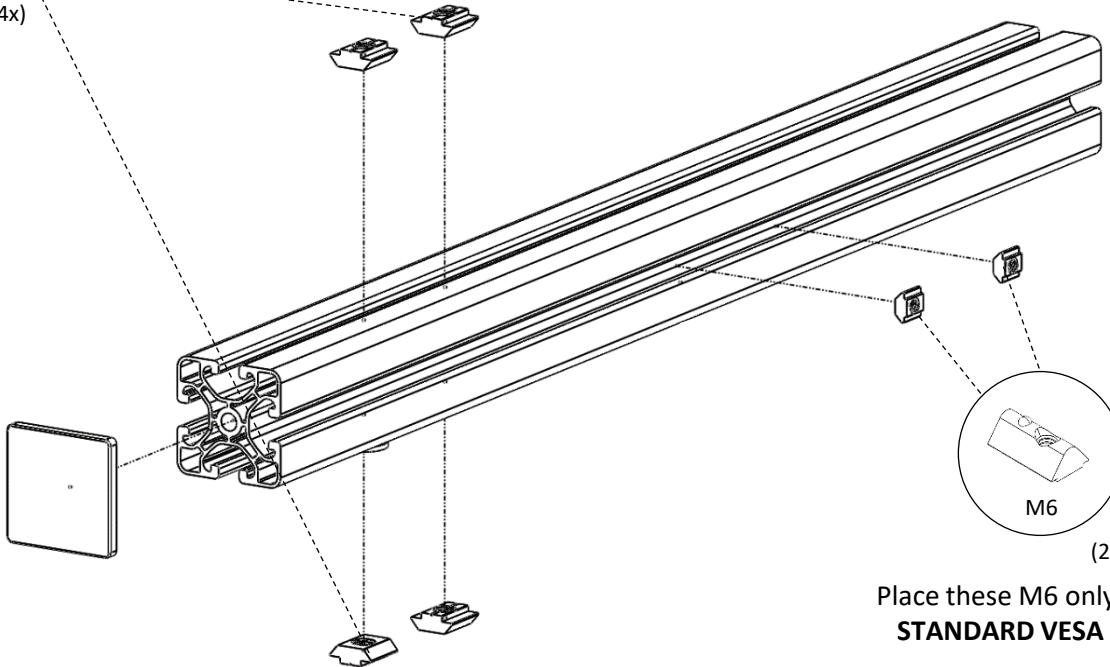


(1x)



M8

(4x)

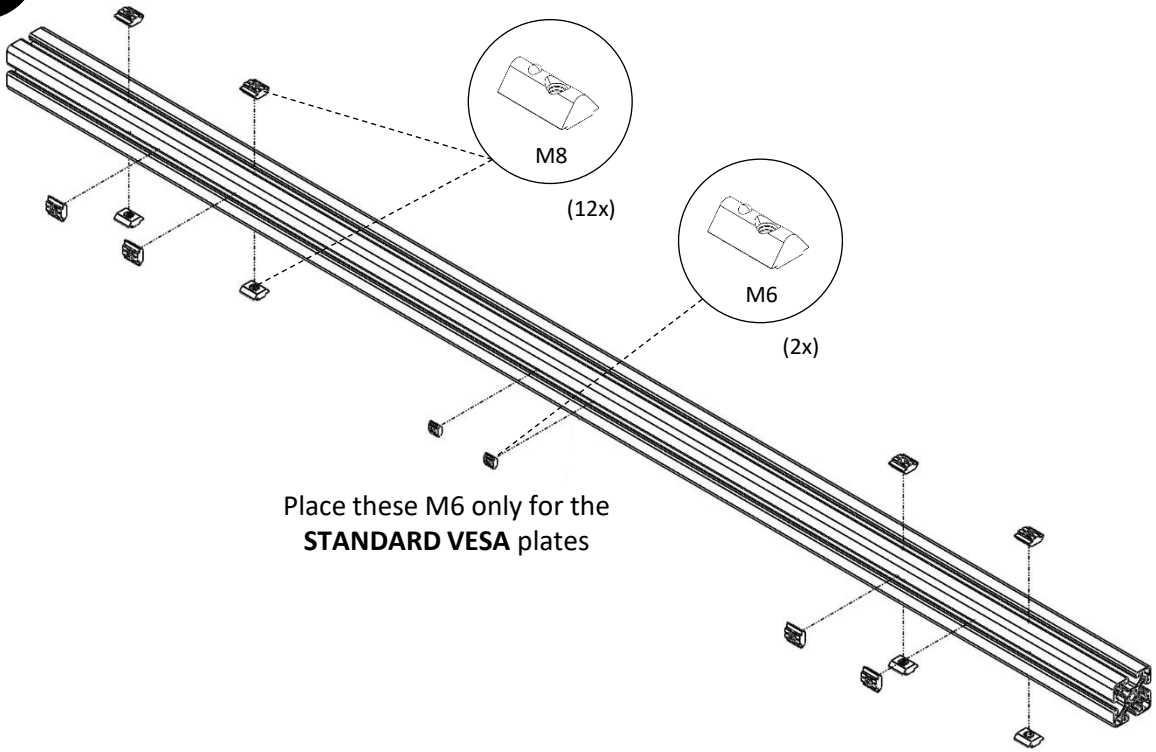


M6

(2x)

Place these M6 only for the  
**STANDARD VESA** plates

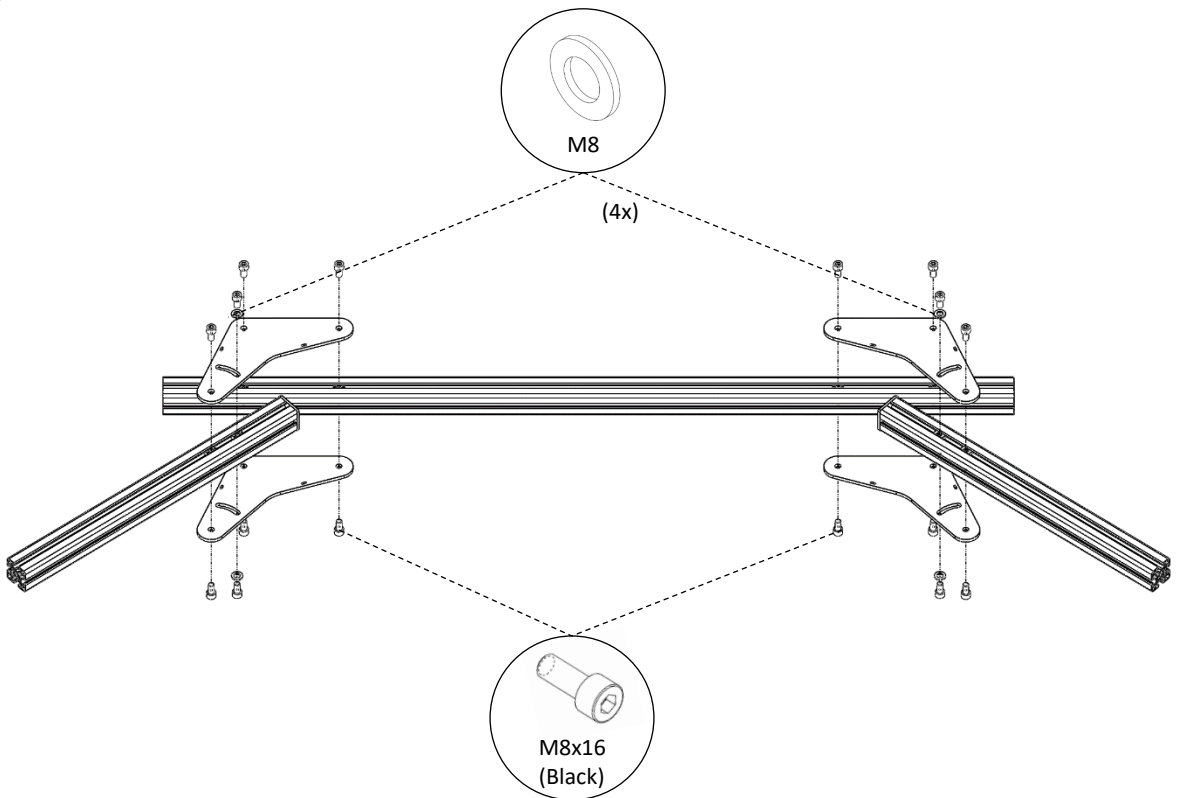
8



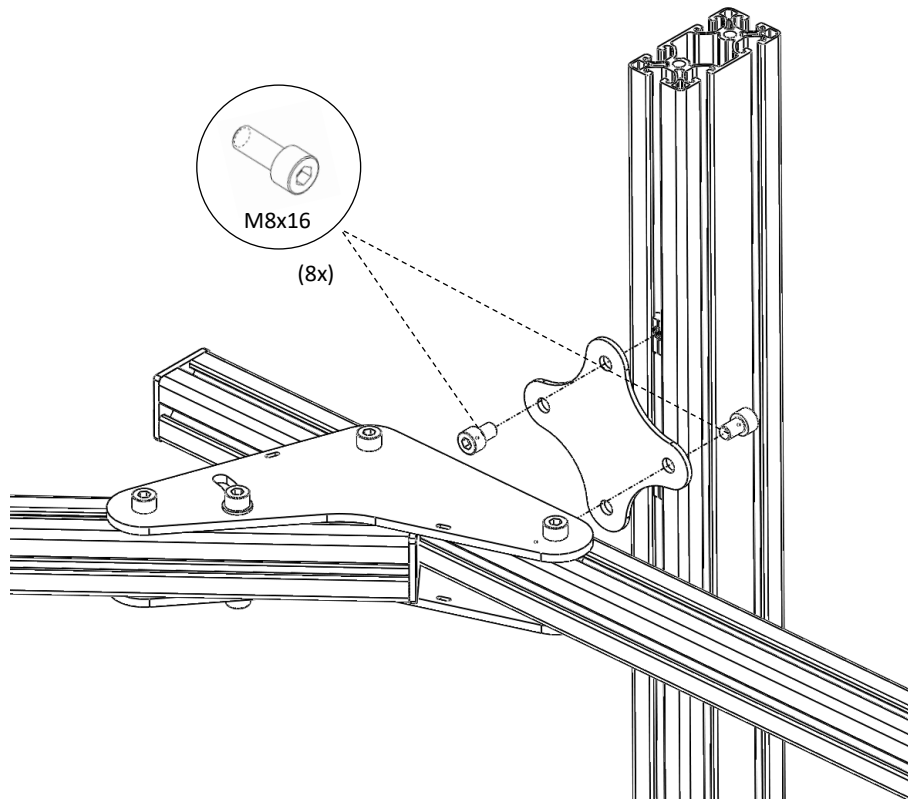
9



Wait with fully tightening these M8 bolts. You still want to adjust the position of the 4040 L=500 profiles later on.



10

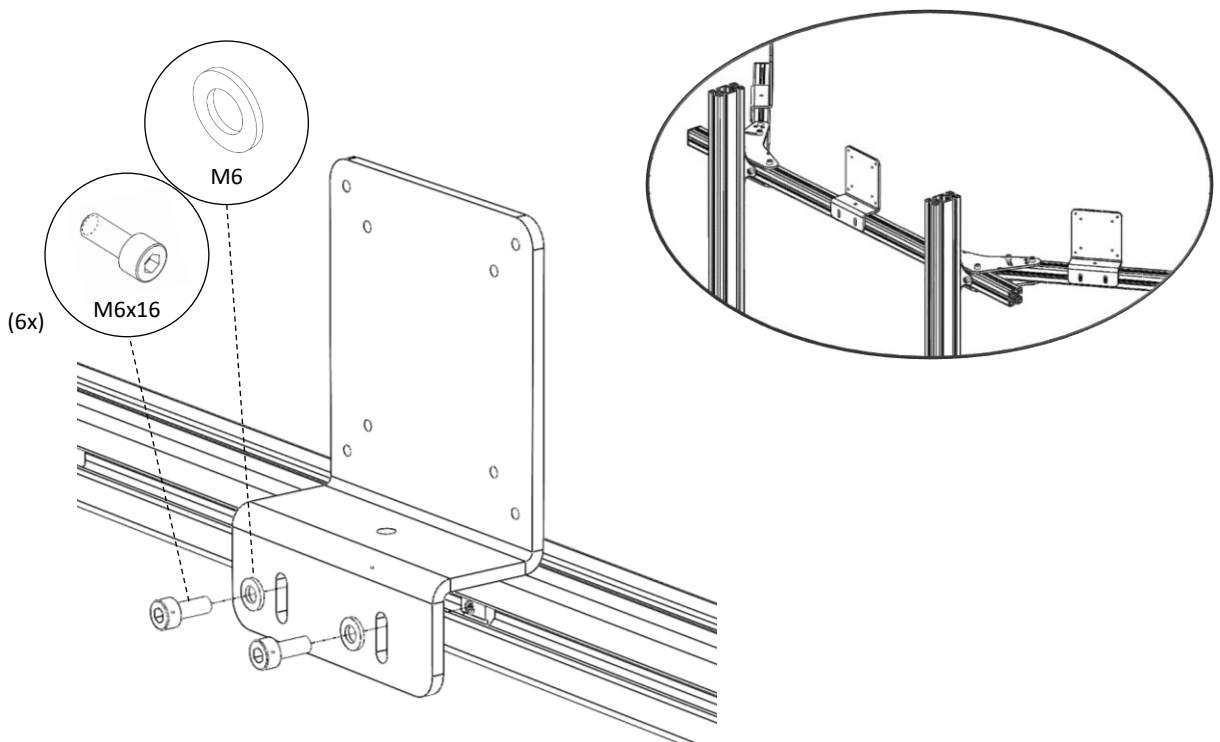


11



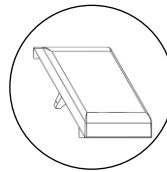
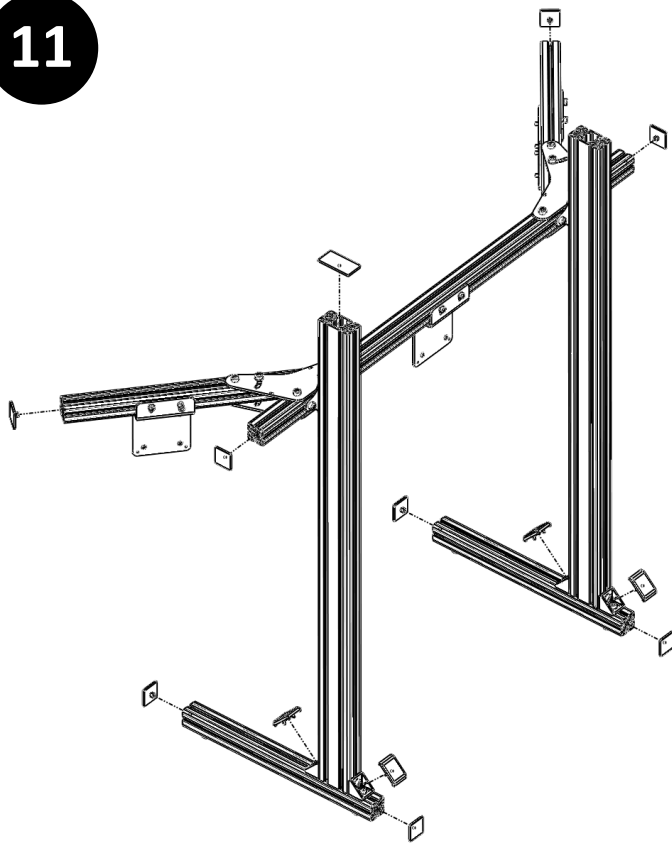
VESA brackets can be mounted up- or downwards. For screens > 27" we recommend mounting it upwards.

If you own a Triple Monitor Stand with the **EASY MONITOR ALIGNMENT KIT**, please skip this step and see that manual for detailed mounting instructions.

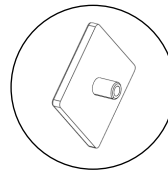




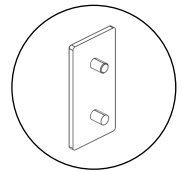
11



(4x)



(10x)

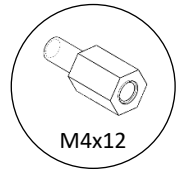
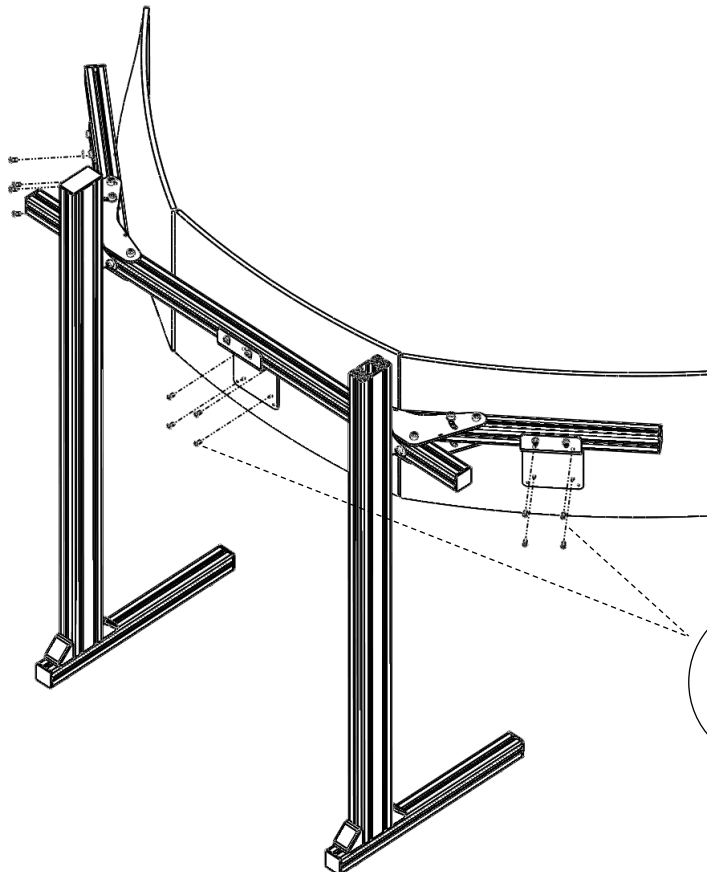


(2x)

12

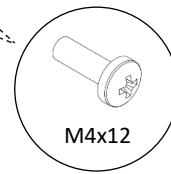


If necessary, use M4x10 spacers (included in package)



M4x12

(12x)



M4x12

(12x)