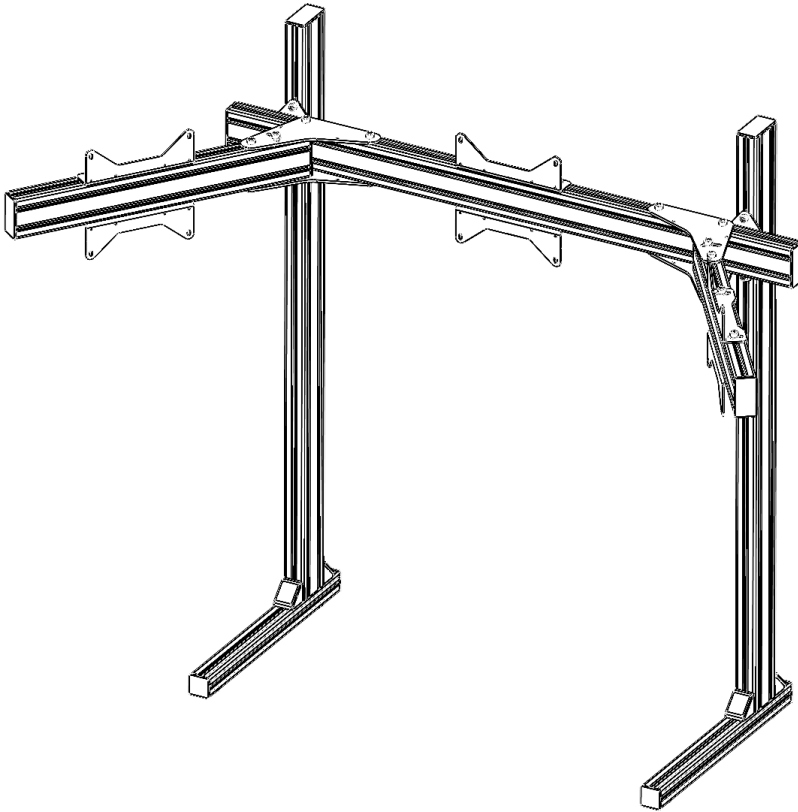
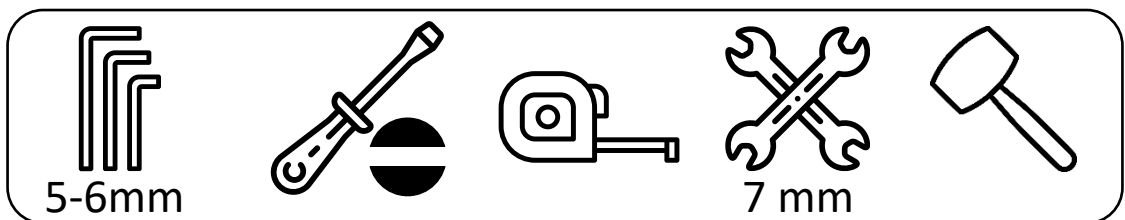


TRIPLE MONITOR STAND

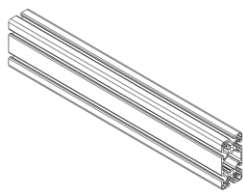
INSTRUCTION MANUAL



REQUIRED TOOLS:

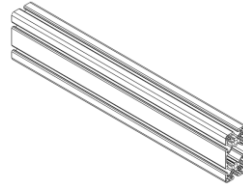


1



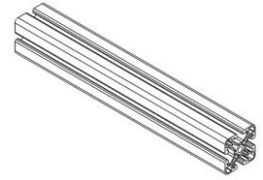
Profile 8040 L=580

2x



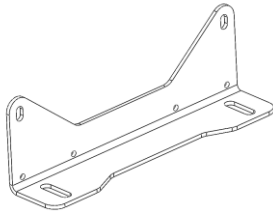
Profile 8040 L=1185

3x



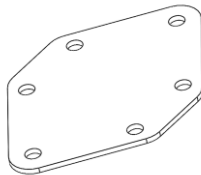
Profile 4040 L=570

2x



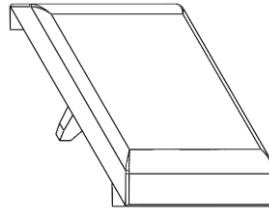
VESA 200x200

6x



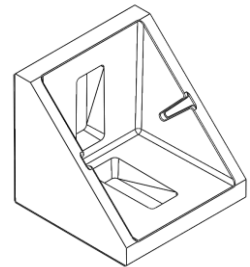
Connector Plate

2x



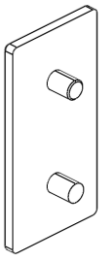
Cover 4040

4x



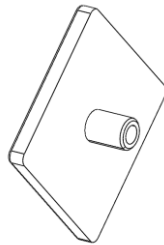
Corner 4040

4x



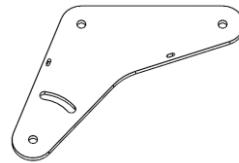
Cover 8040

8x



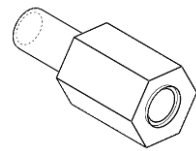
Cover 4040

4x



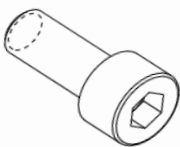
Bracket

4x



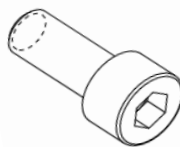
Spacer M4x10

12x



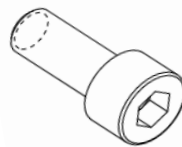
M6x20

12x



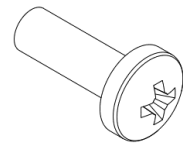
M5x12

4x



M8x16

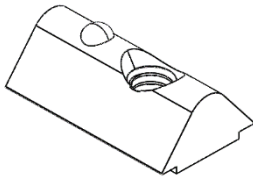
36x
(28x Black)



M4x12

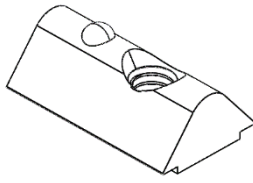
12x

TREQ



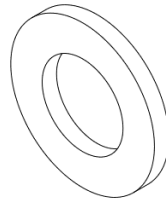
Click-in Nut M8

48x



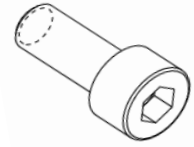
Click-in Nut M5

4x



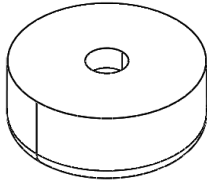
Plain Washer M8

16x



M8x12 Black

12x



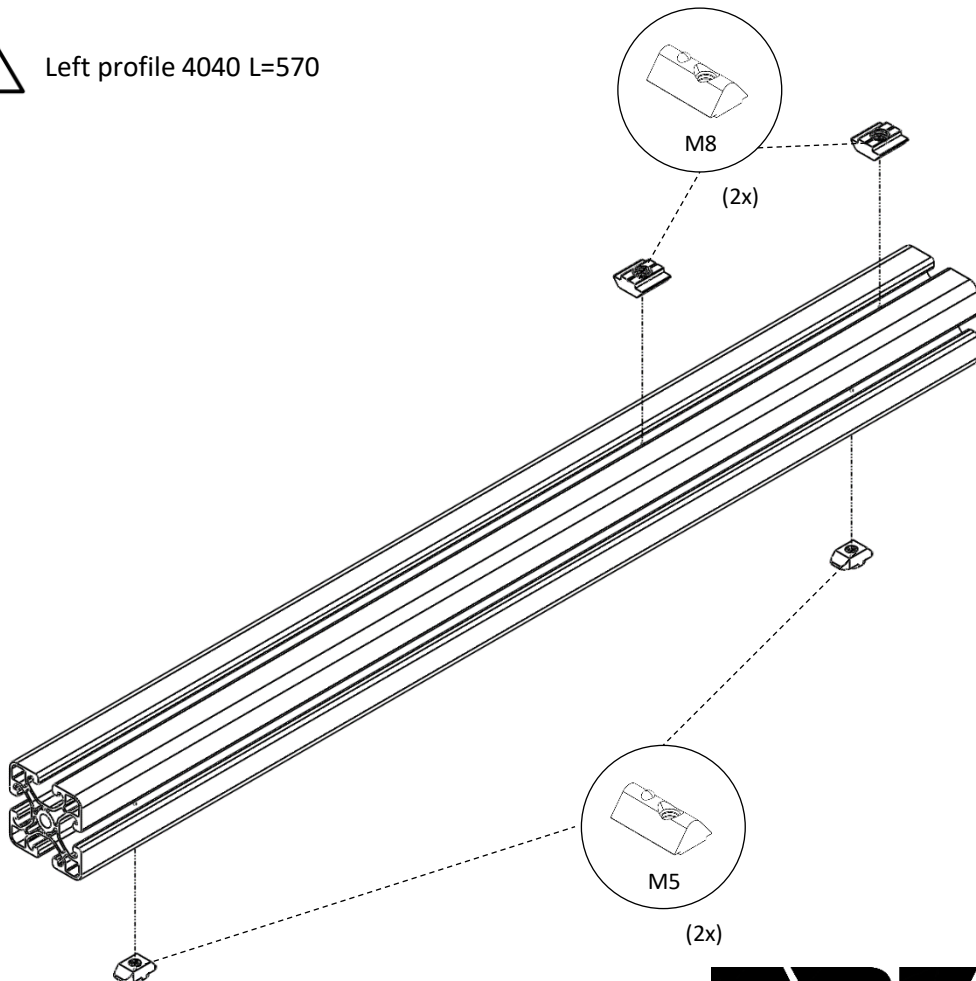
Rubber Foot 40

4x

2



Left profile 4040 L=570

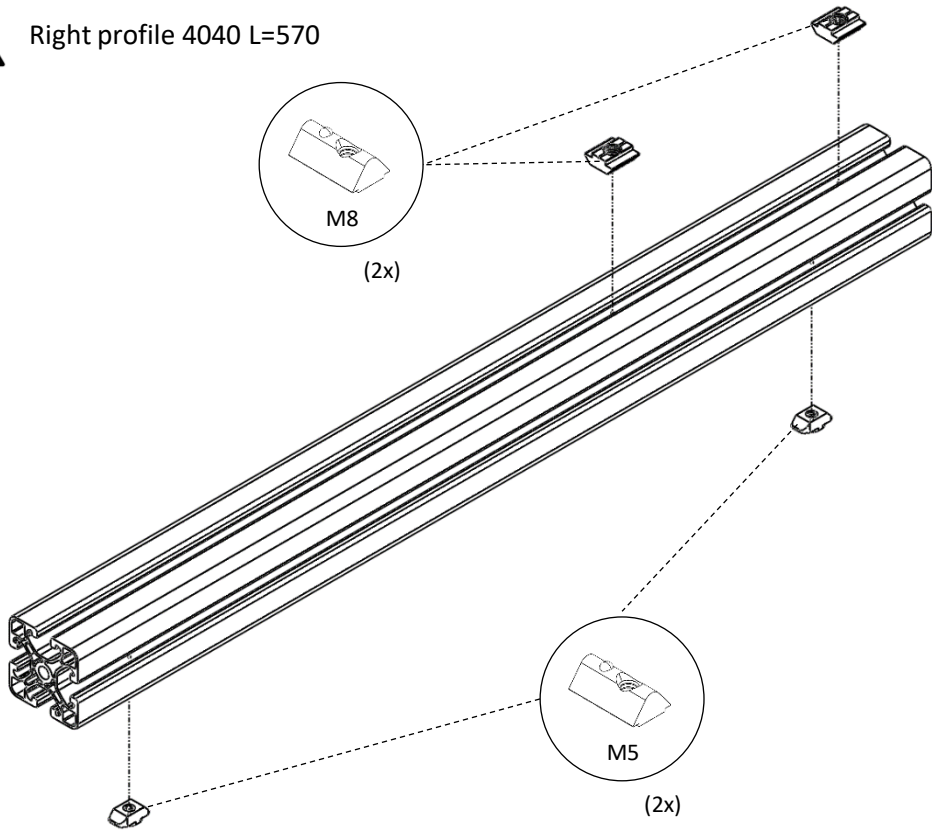


TREQ

3



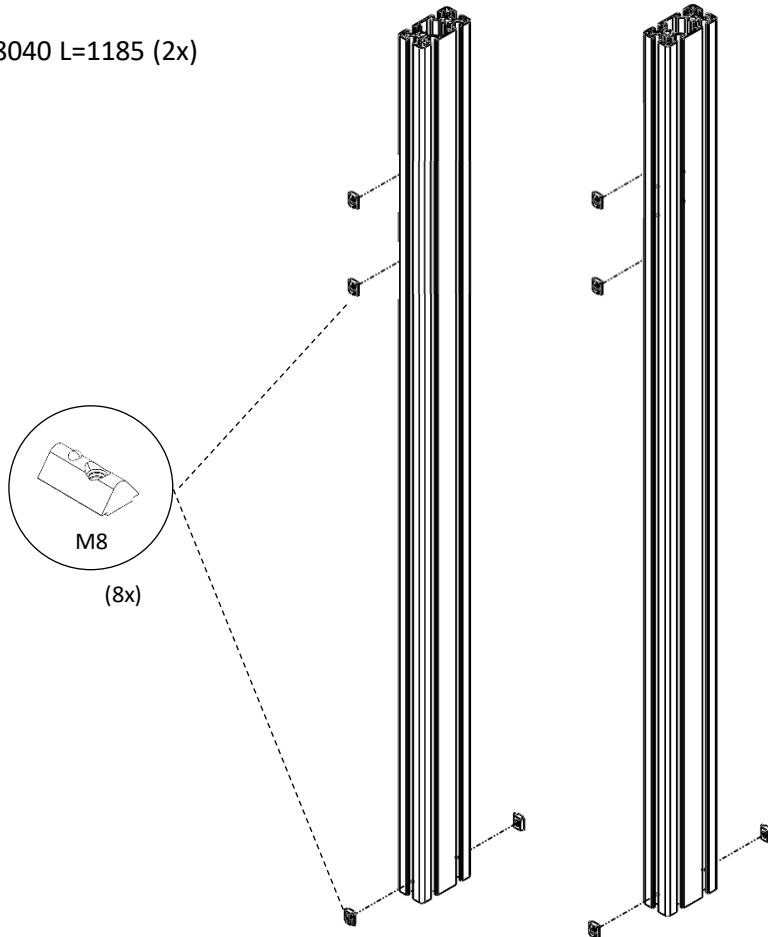
Right profile 4040 L=570



4



Profile 8040 L=1185 (2x)

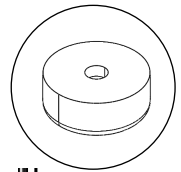


TREQ

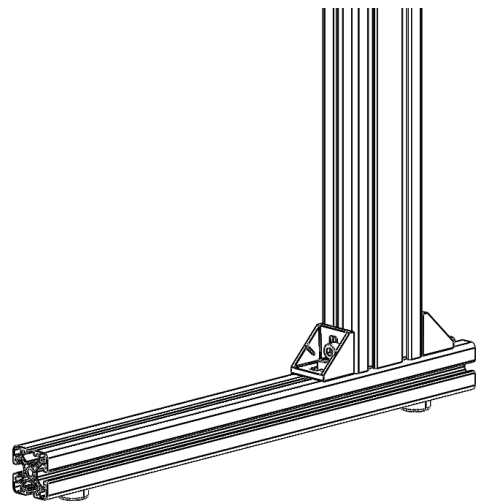
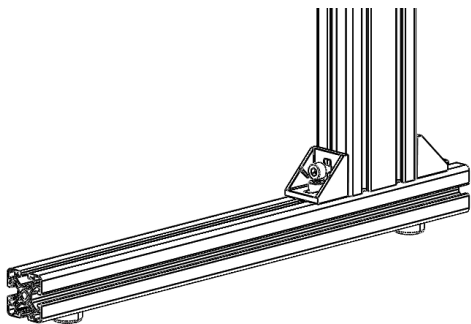
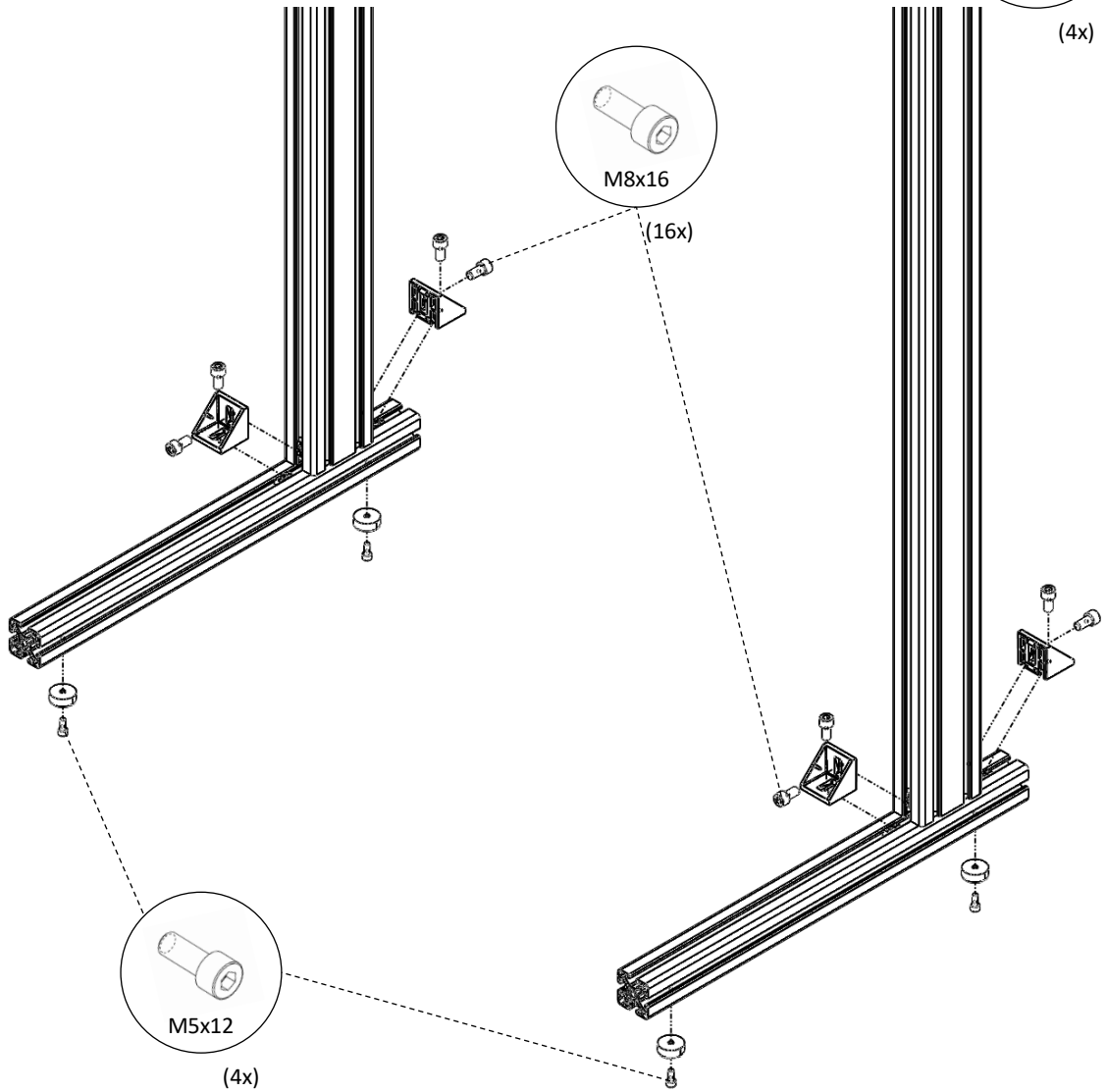
5



Assemble the stands for the Triple Monitor Mount



(4x)

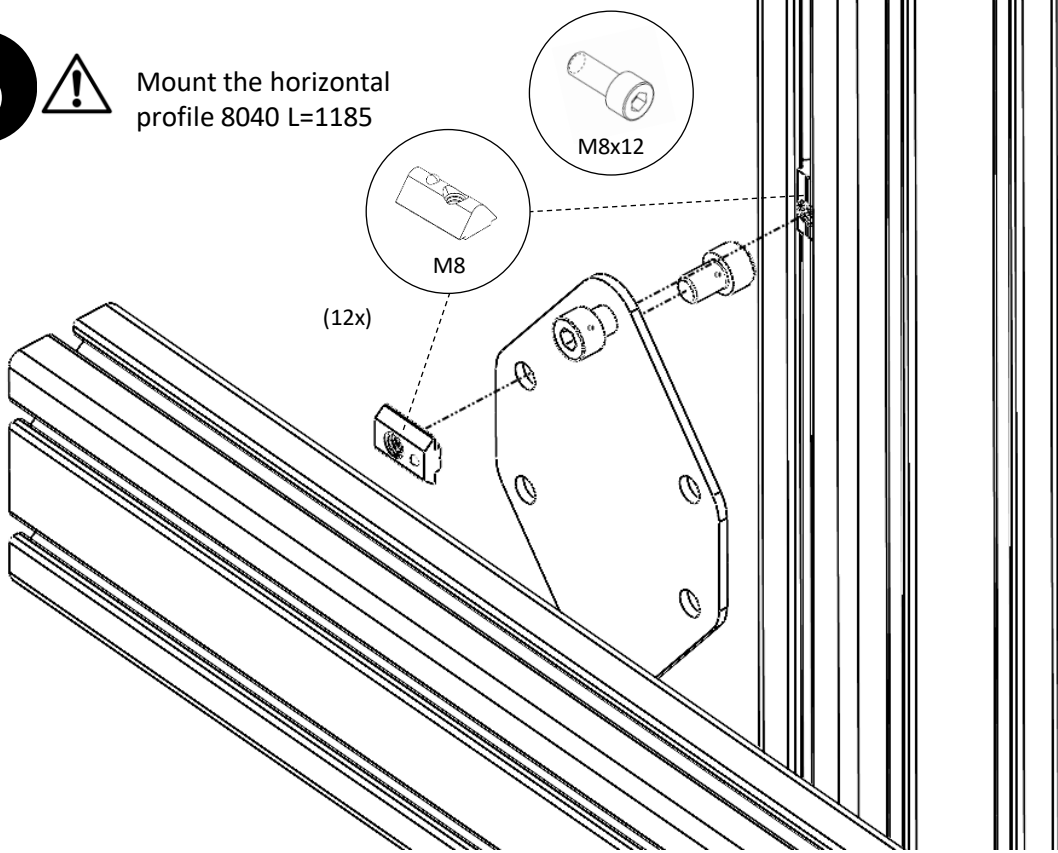


TREQ

6



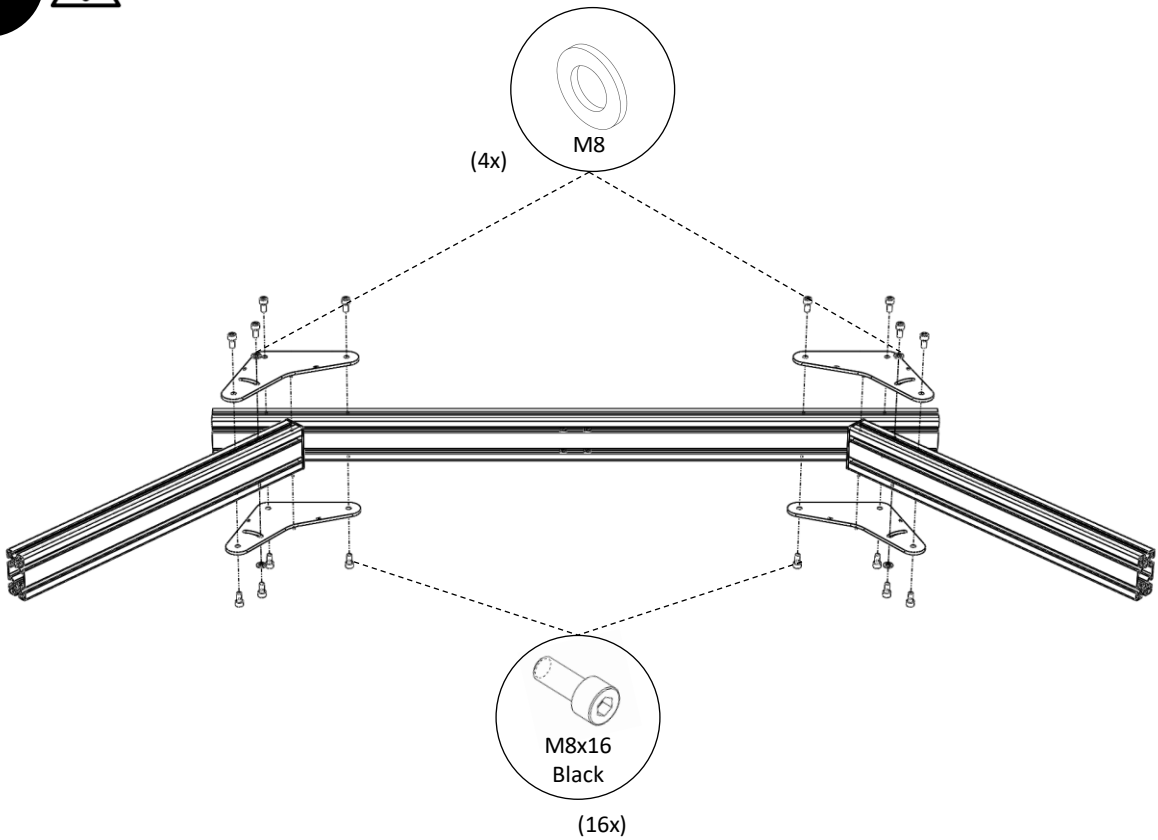
Mount the horizontal profile 8040 L=1185



7



Mount the two 8040 L=580 profiles, using the boomerang shaped brackets.

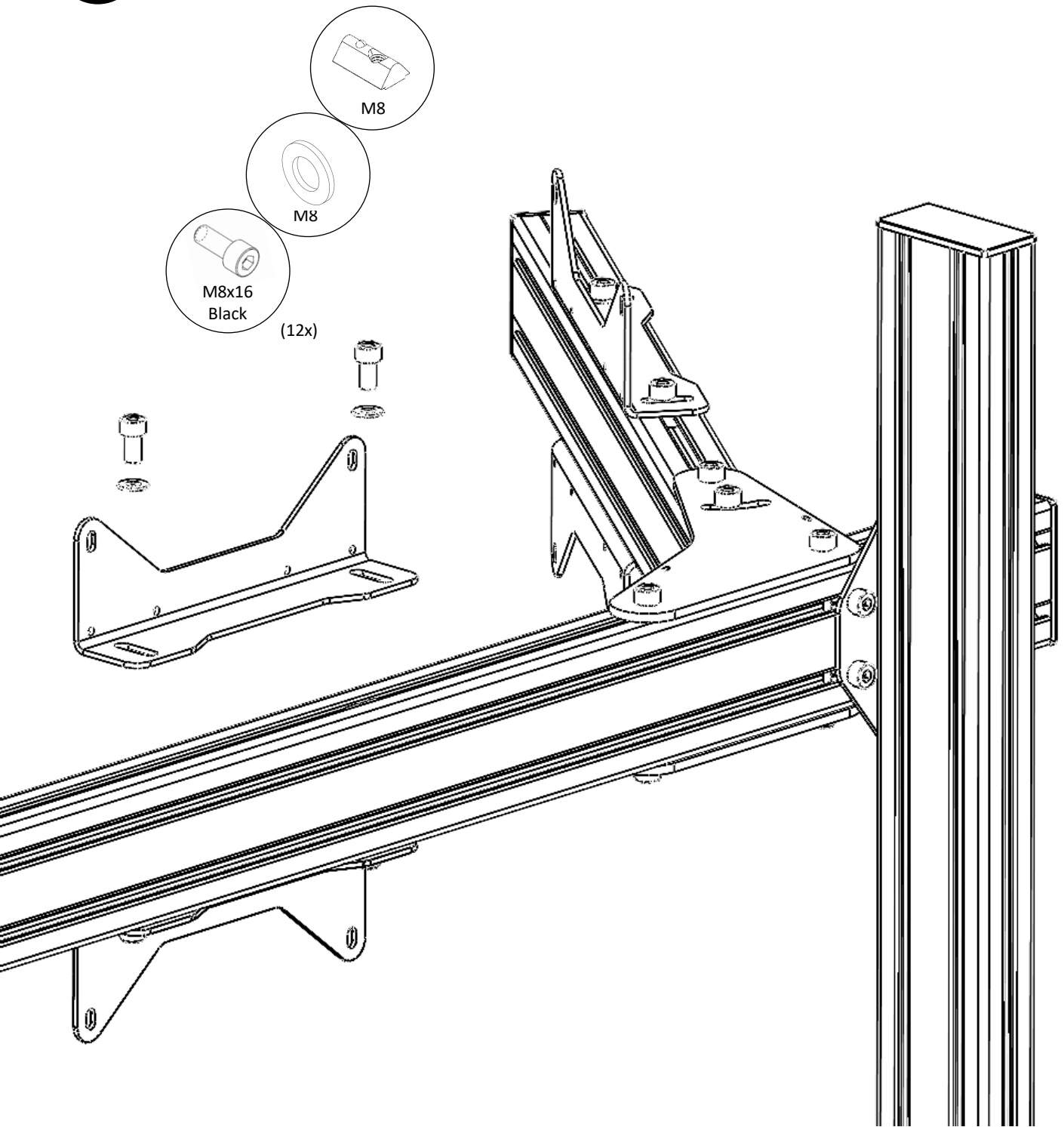


TREQ

8



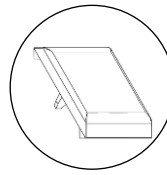
Mount the six VESA brackets, using the M8x16 bolts, washers and click in nuts.



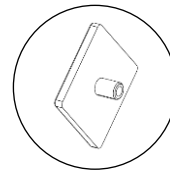
TREQ

9

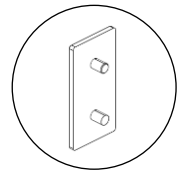
Mount the cover caps.
You might want to use a rubber hammer.



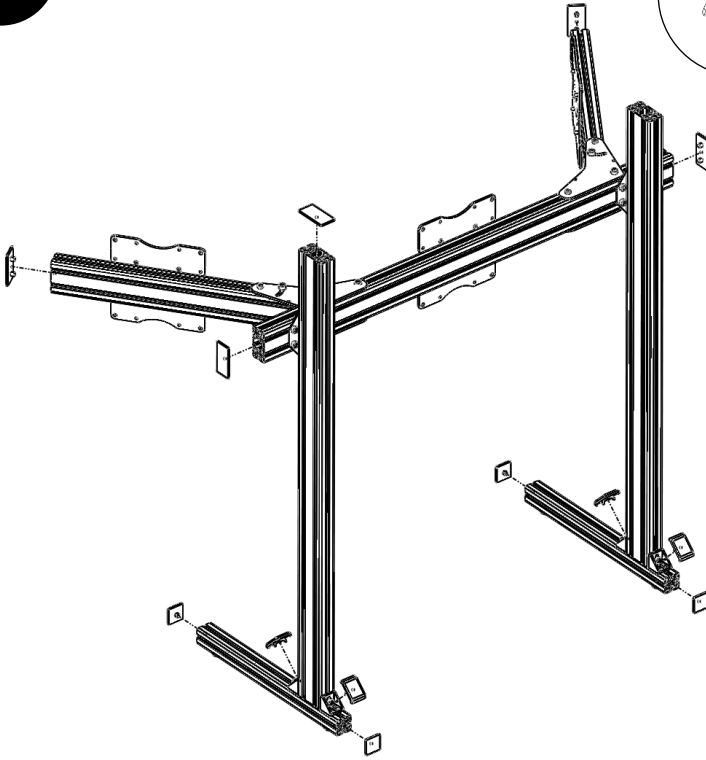
(4x)



(4x)

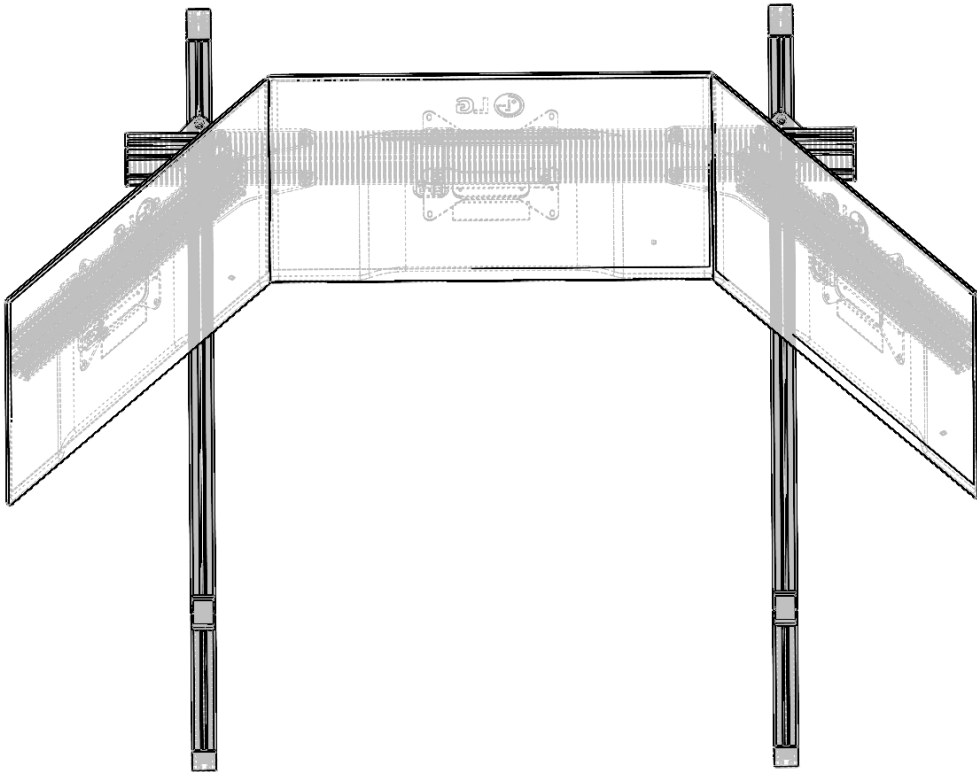


(8x)



10

You are ready to mount the screens!



TREQ