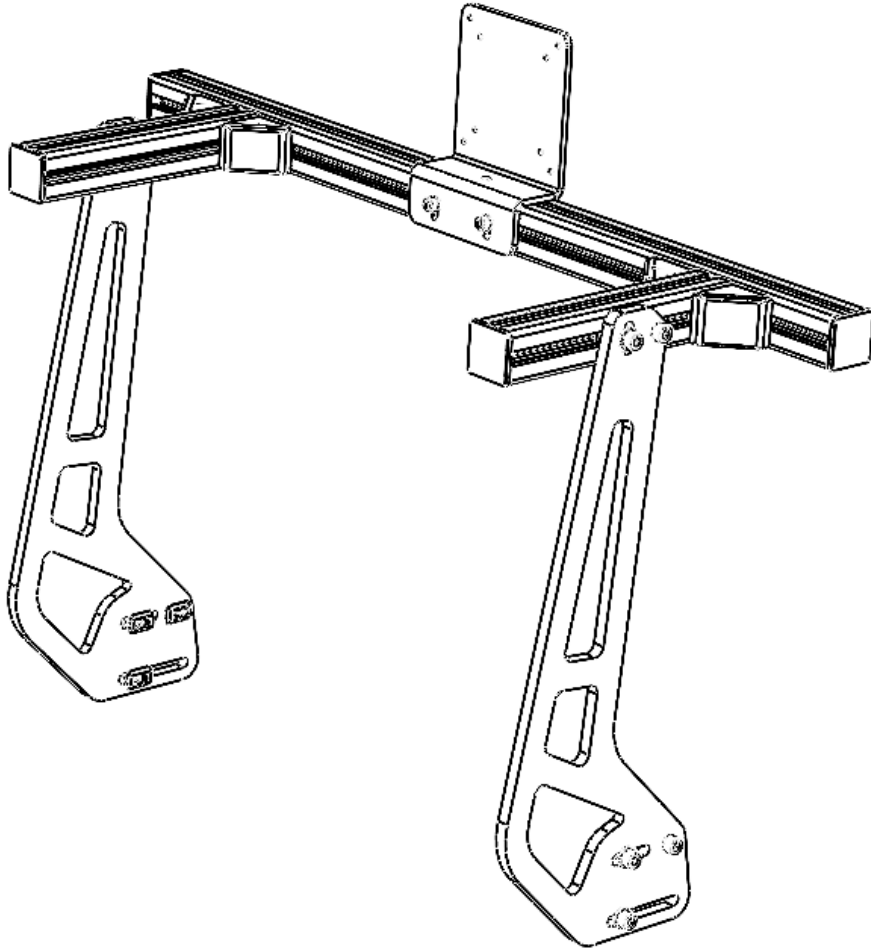
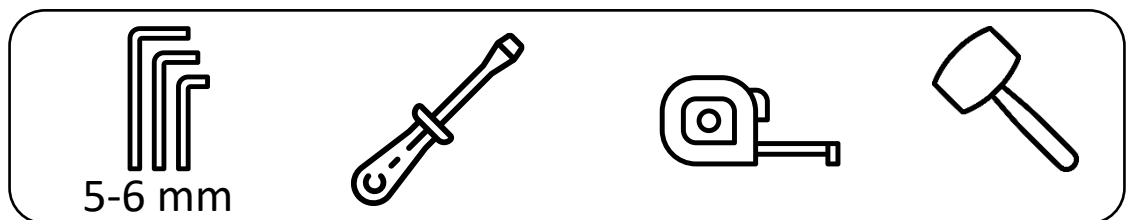


# UNIFIED SINGLE MONITOR MOUNT

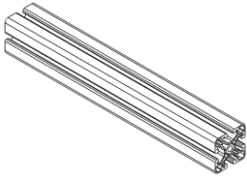
## INSTRUCTION MANUAL



### REQUIRED TOOLS:

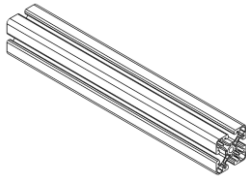


**1**



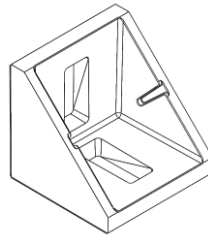
Profile 4040 L=220

**2x**



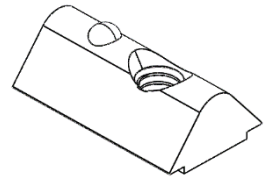
Profile 4040 L=780

**1x**



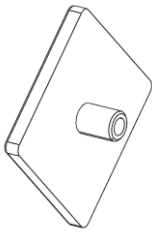
Corner 4040

**4x**



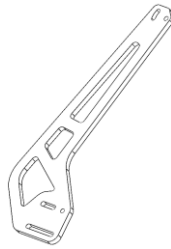
Click-in Nut M8

**18x**



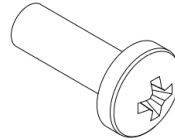
Cover 4040

**4x**



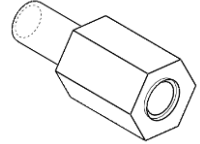
Bracket

**2x**



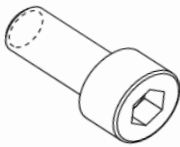
M4x12

**4x**



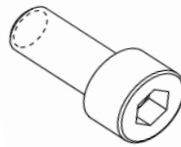
M4 Spacer

**4x**



M8x20 (Black)

**10x**



M8x16

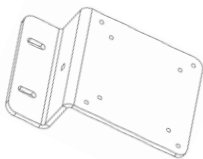
**8x**



Plain Washer M8

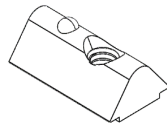
**10x**

**STANDARD VESA KIT:**



VESA Bracket

**1x**



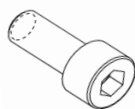
Click-in Nut M6

**2x**



Plain Washer M6

**2x**

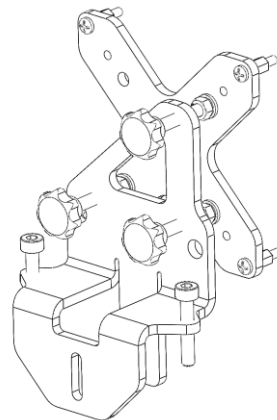


M6x16

**2x**

**EASY ALIGNMENT KIT:**

(separate manual)

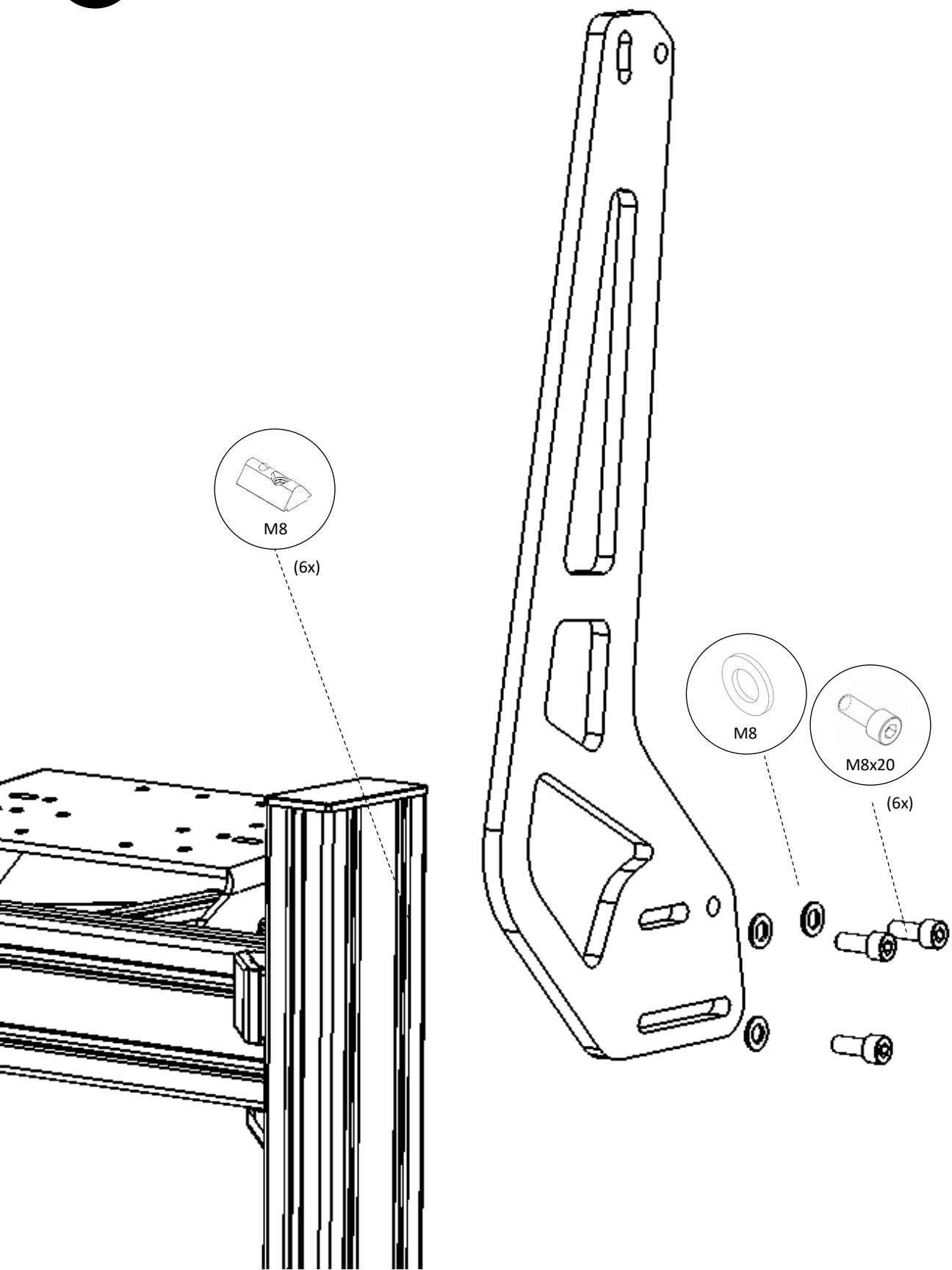


**1x**

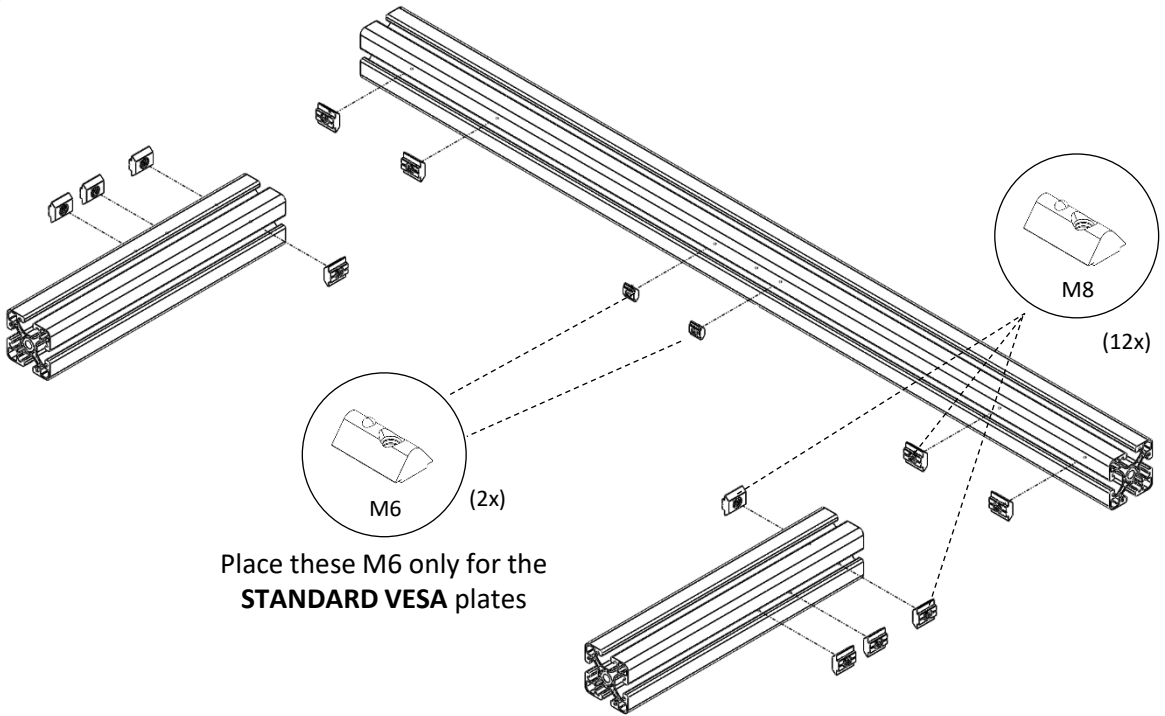
2



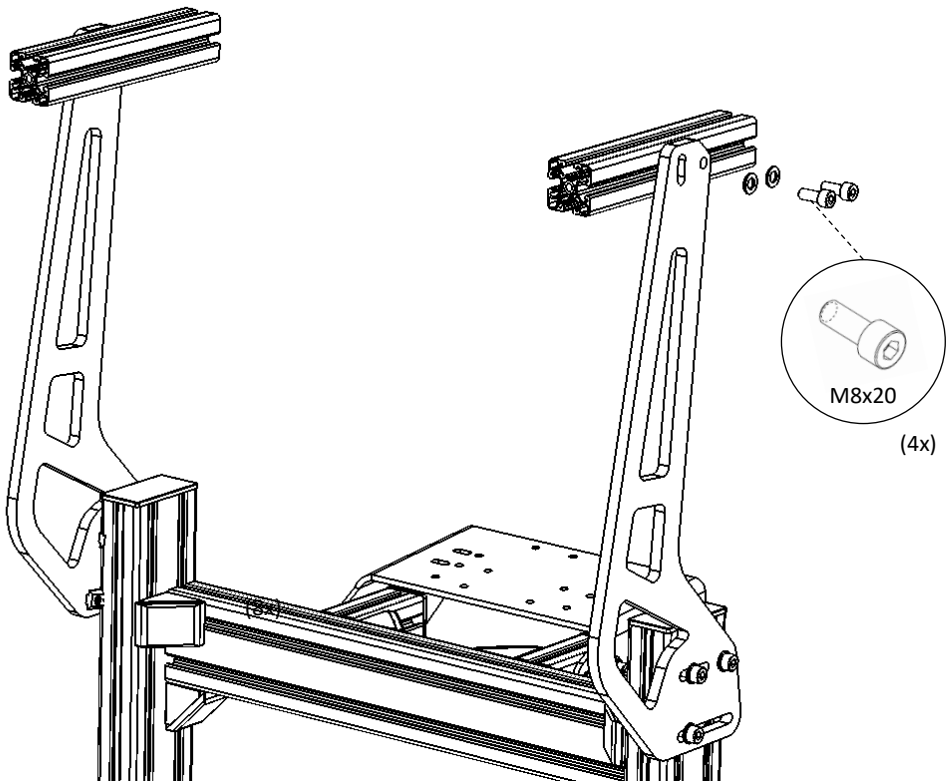
Mount both brackets to the upright profiles of your rig, using the black M8x20 bolts and the M8 washers.



3



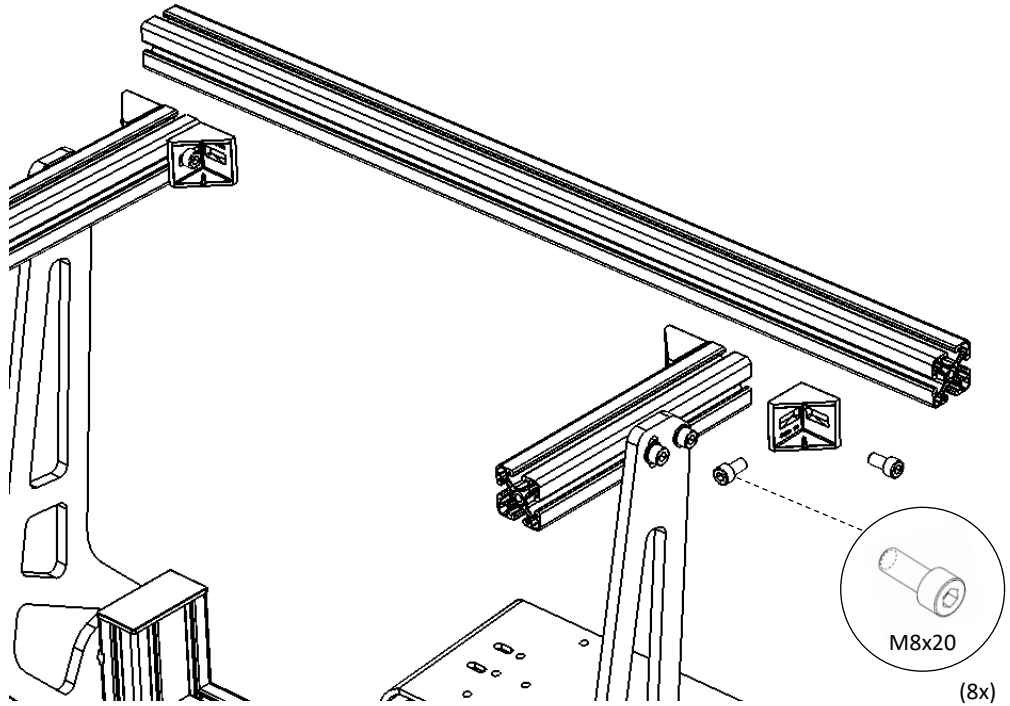
4



5



Mount the 40x40 L=780 profile using the 4 corner brackets, together with the 8 M8x16 bolts.

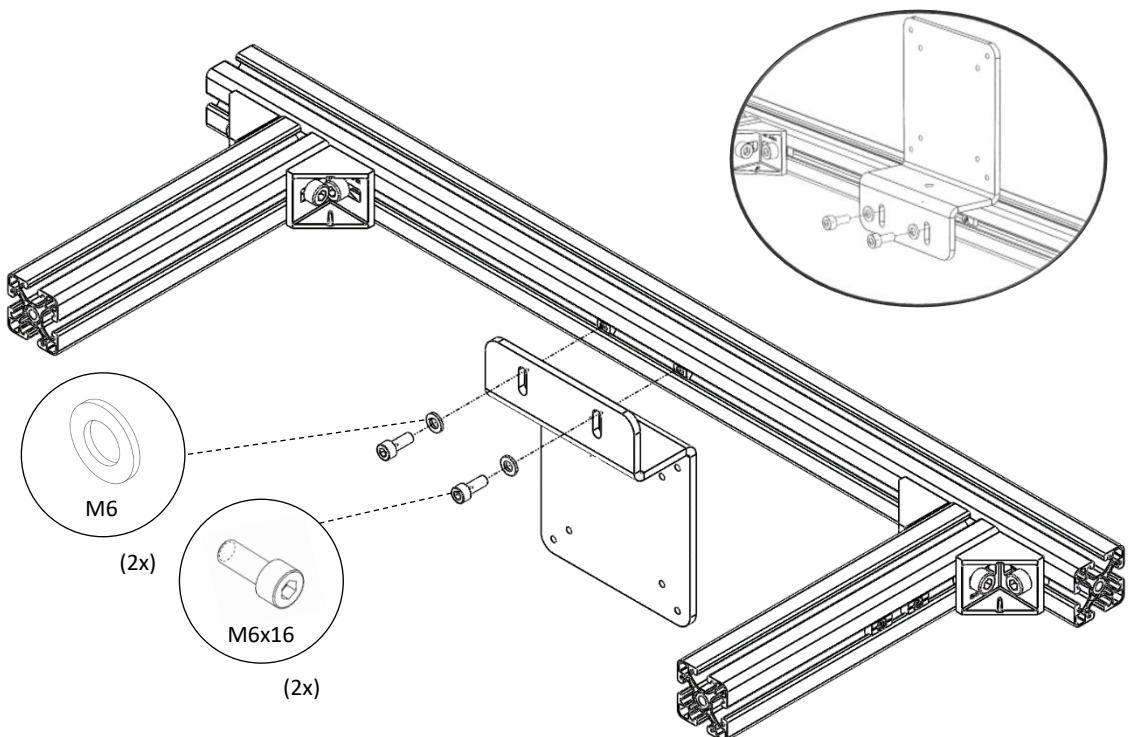


6



VESA bracket can be mounted up- or downwards. For screens > 27" we recommend mounting it upwards.

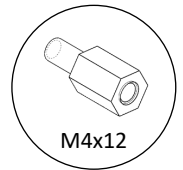
If you own a Unified Single Mount with the **EASY MONITOR ALIGNMENT KIT**, please skip this step and see that manual for detailed mounting instructions.



7

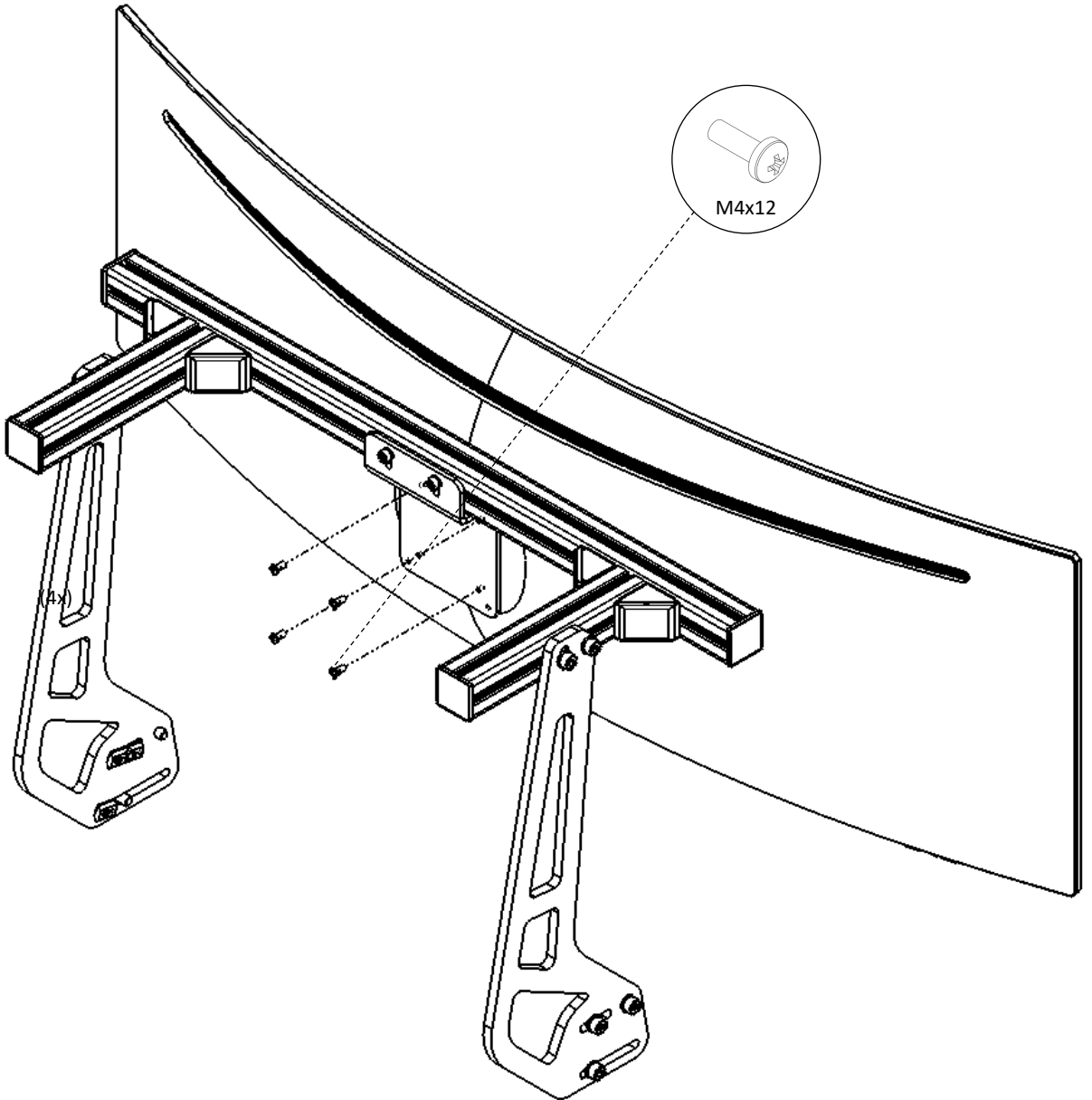


If necessary, use M4x10 spacers (included in package)



M4x12

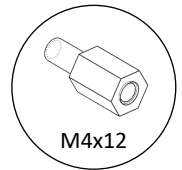
(4x)



8



If necessary, use M4x10 spacers (included in package)



M4x12

(4x)

