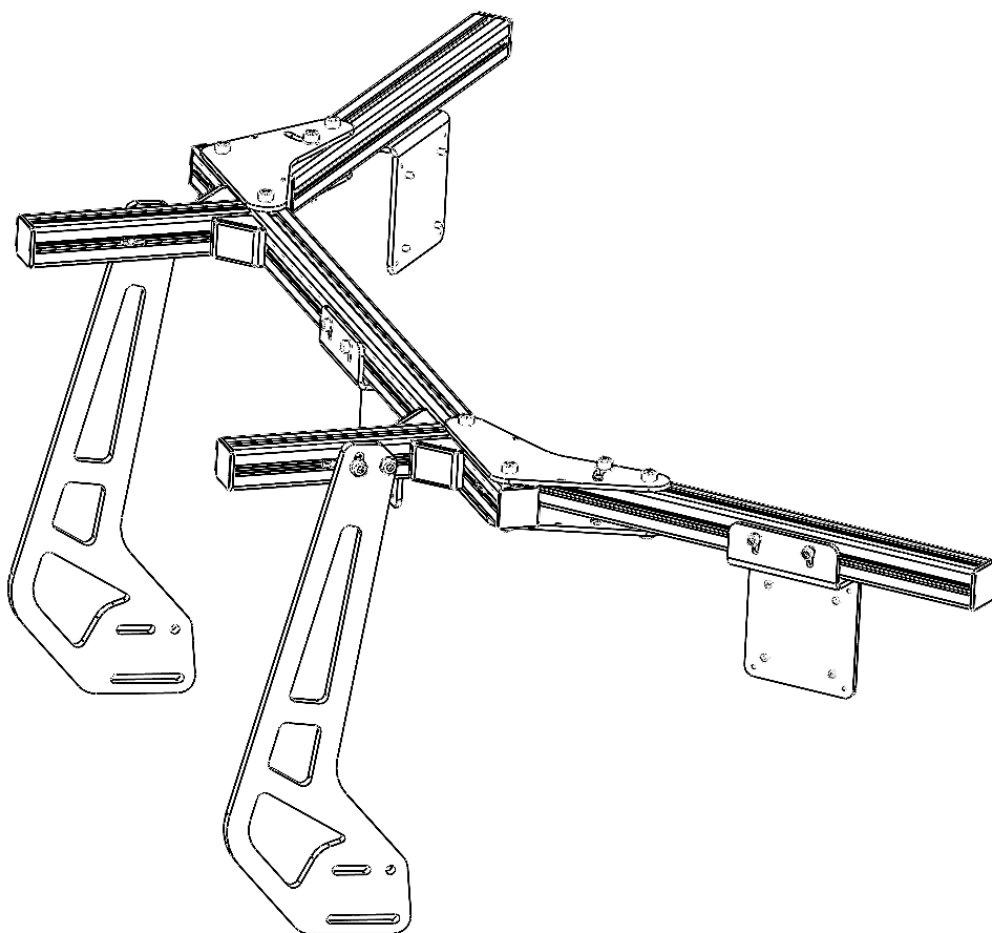
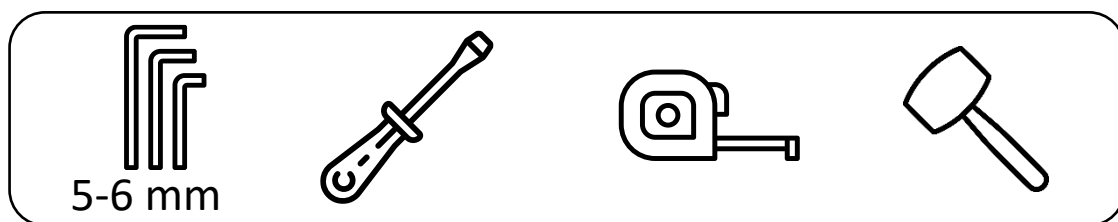


UNIFIED TRIPLE MONITOR MOUNT

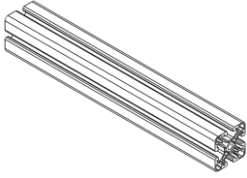
INSTRUCTION MANUAL



REQUIRED TOOLS:

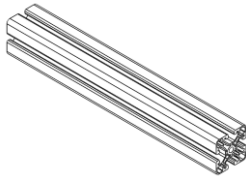


1



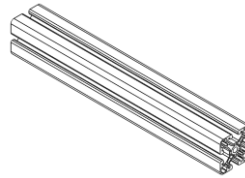
Profile 4040 L=220

2x



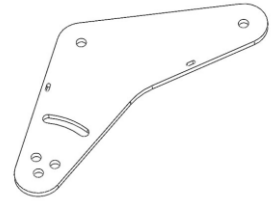
Profile 4040 L=950

1x



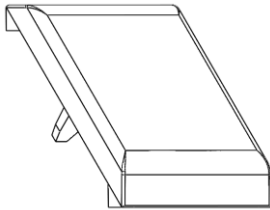
Profile 4040 L=500

2x



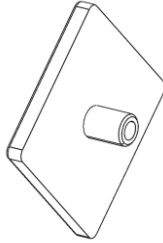
Bracket

4x



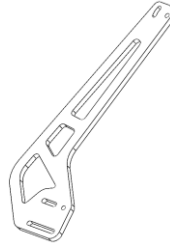
Corner Cover 4040

4x



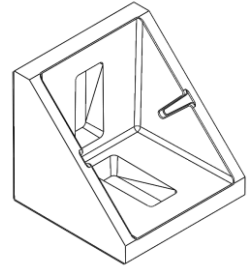
Cover 4040

8x



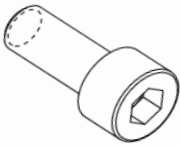
Bracket

2x



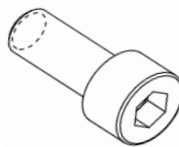
Corner 4040

4x



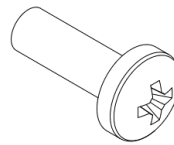
M8x20 (Black)

10x



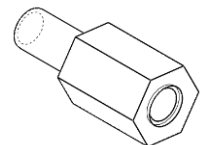
M8x16

24x
(16x Black)



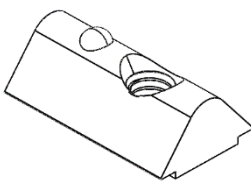
M4x12

12x



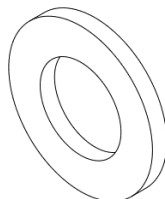
Spacer M4x10

12x



Click-in Nut M8

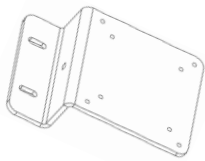
34x



Plain Washer M8

14x

STANDARD VESA KIT:



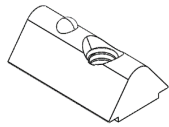
VESA Bracket

3x



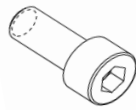
Plain Washer M6

6x



Click-in Nut M6

6x

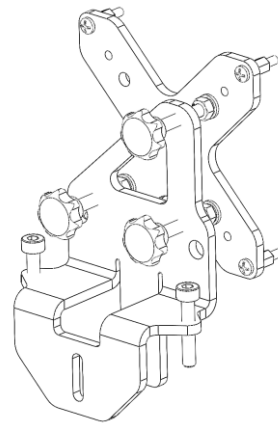


M6x16

6x

EASY ALIGNMENT KIT:

(separate manual)

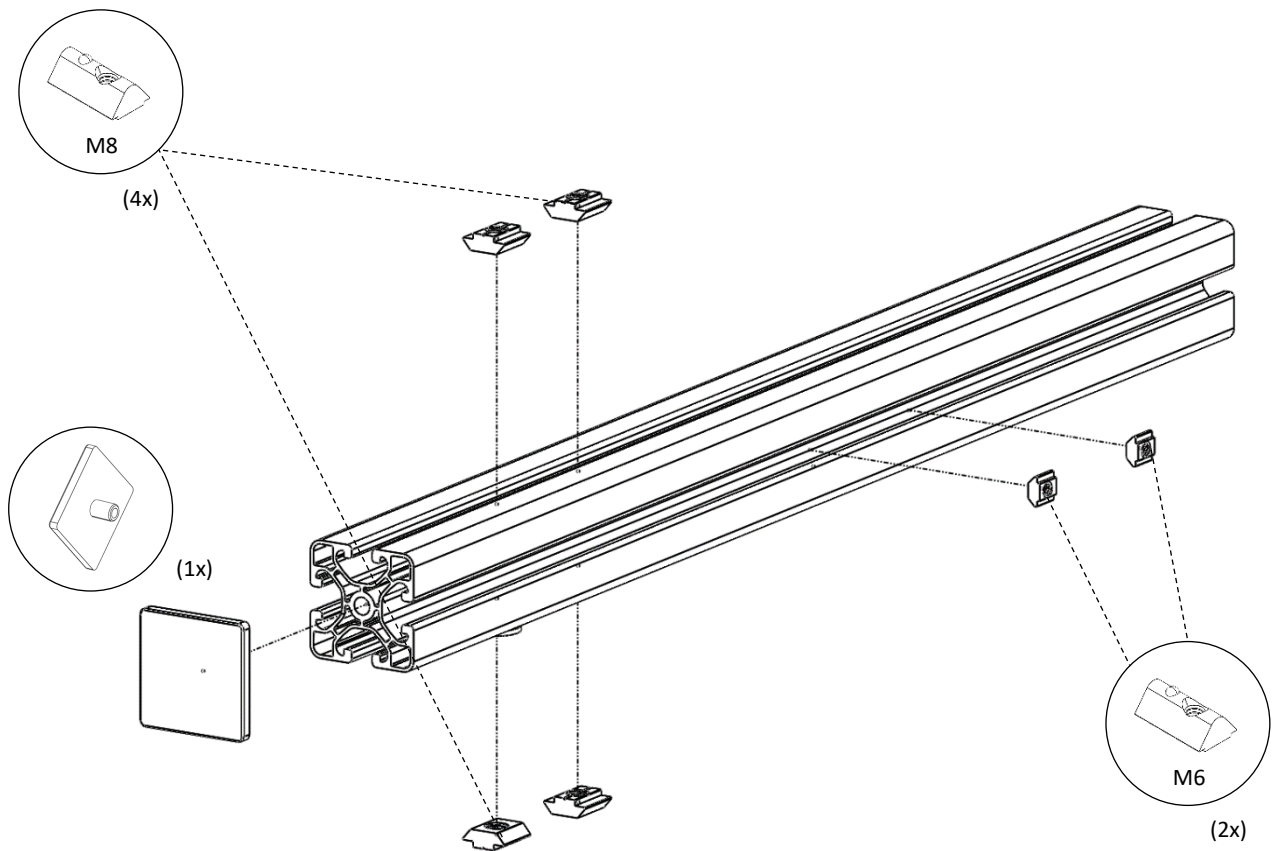


3x

2



Left profile 4040 L=500

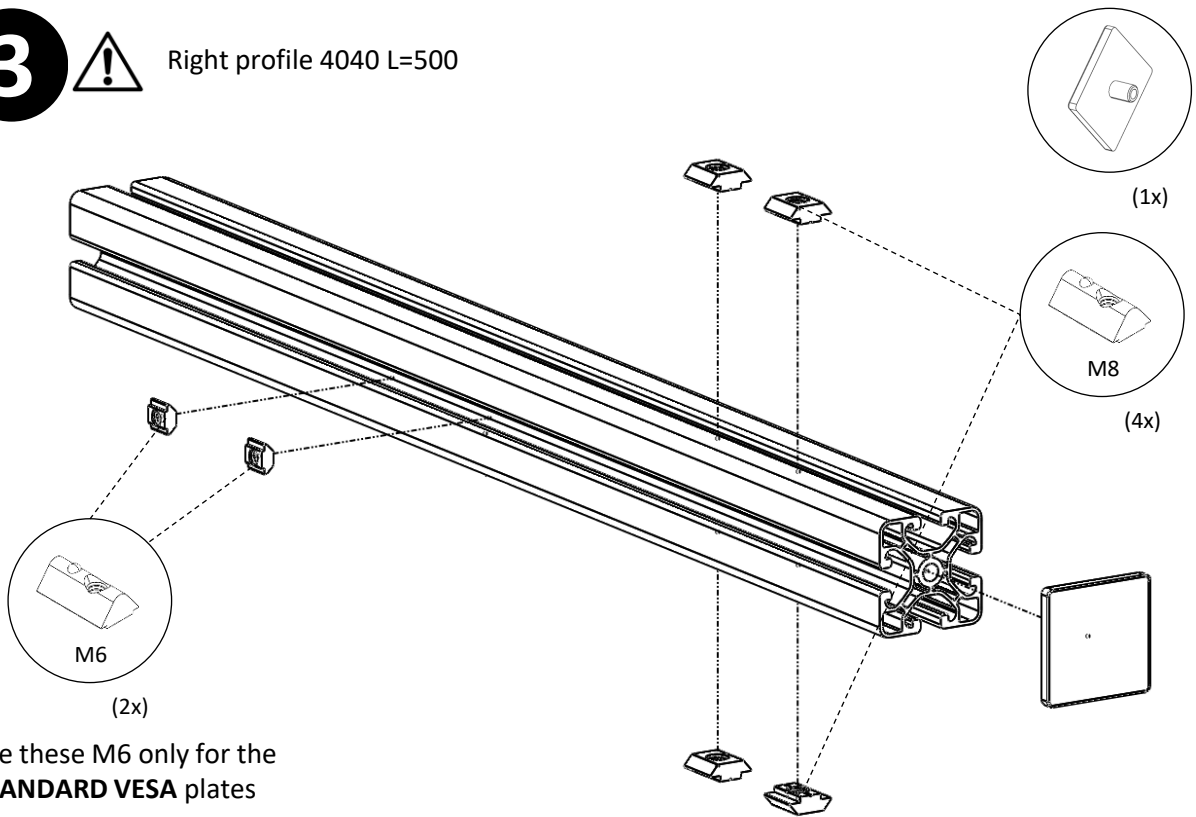


Place these M6 only for the
STANDARD VESA plates

3

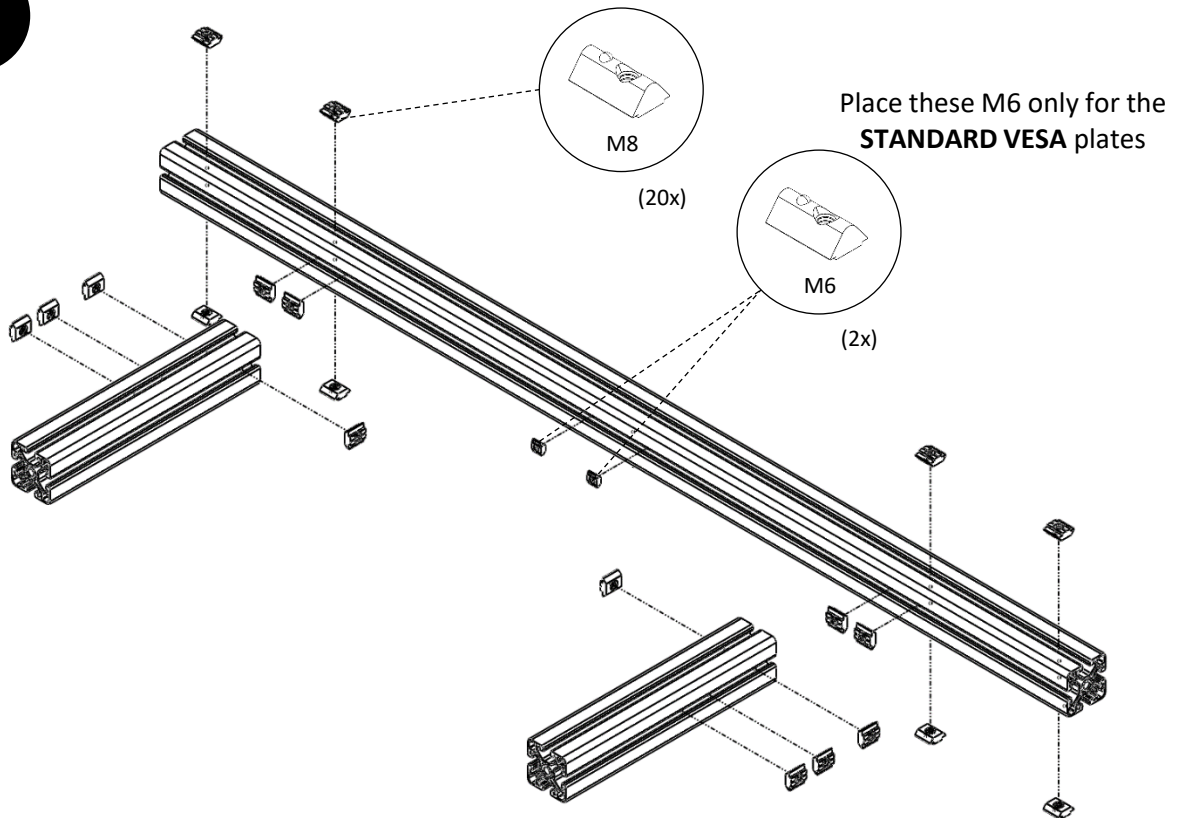


Right profile 4040 L=500



Place these M6 only for the **STANDARD VESA** plates

4

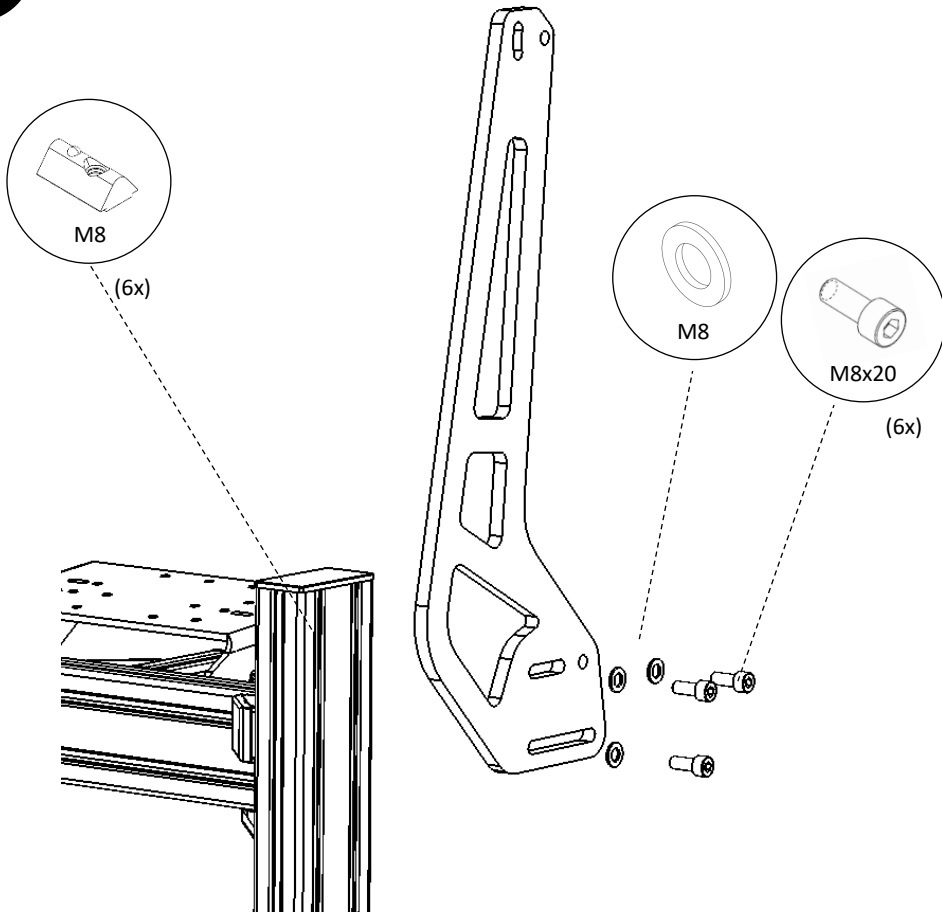


Place these M6 only for the **STANDARD VESA** plates

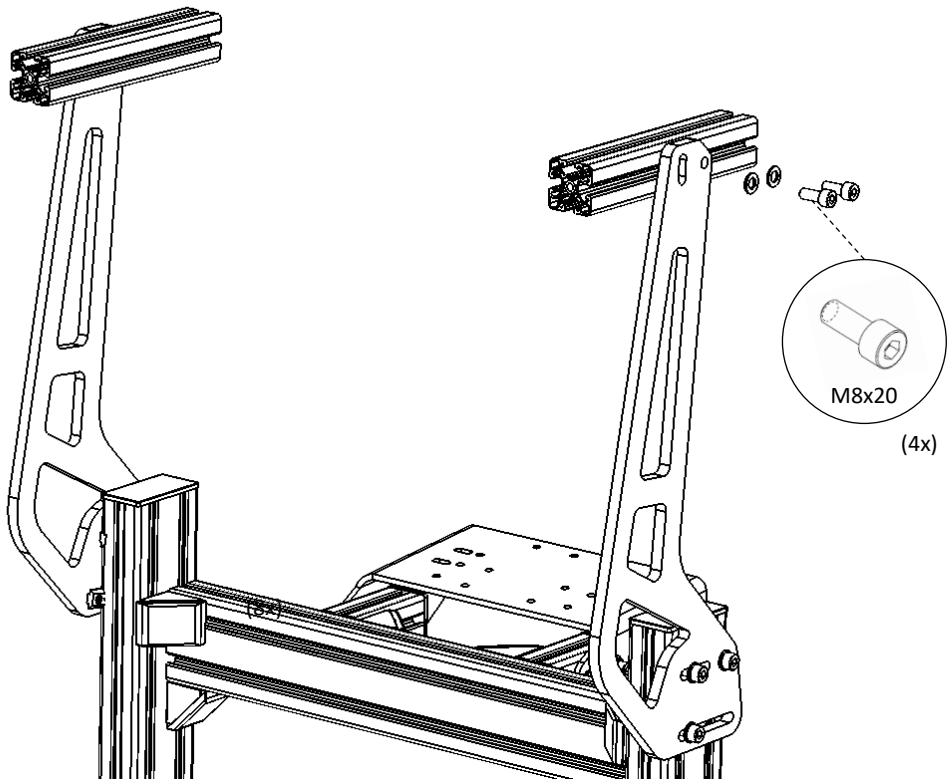
5



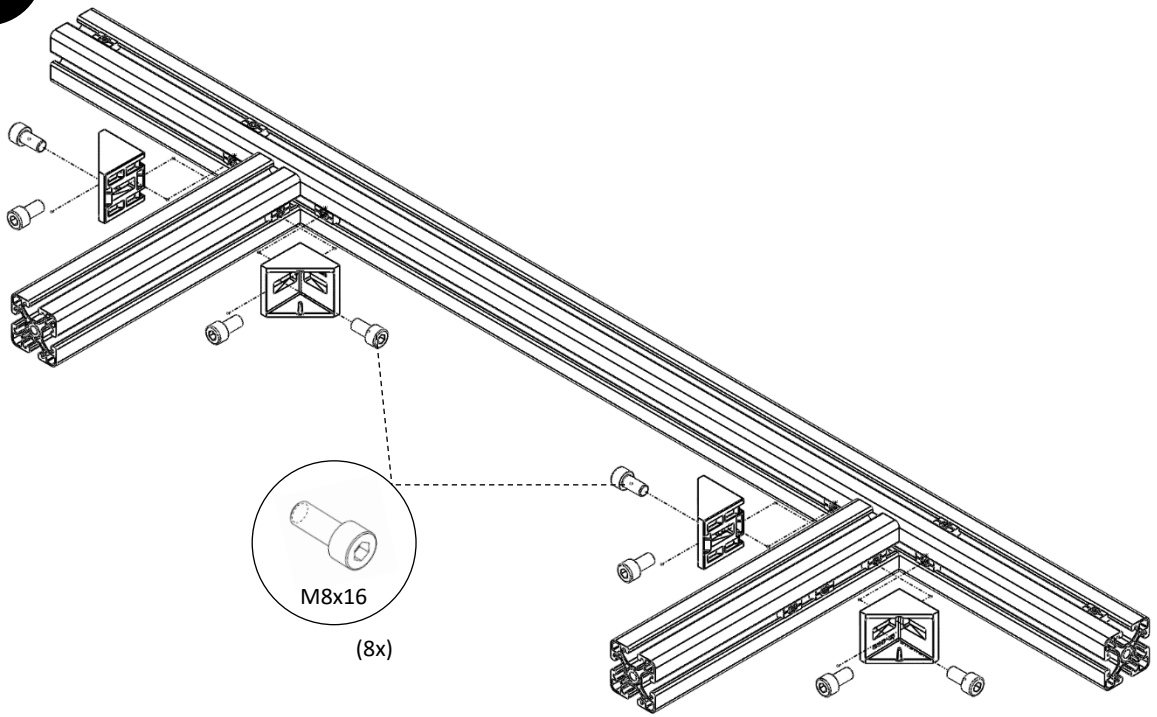
Mount both brackets to the upright profiles of your rig, using the black M8x20 bolts and the M8 washers.



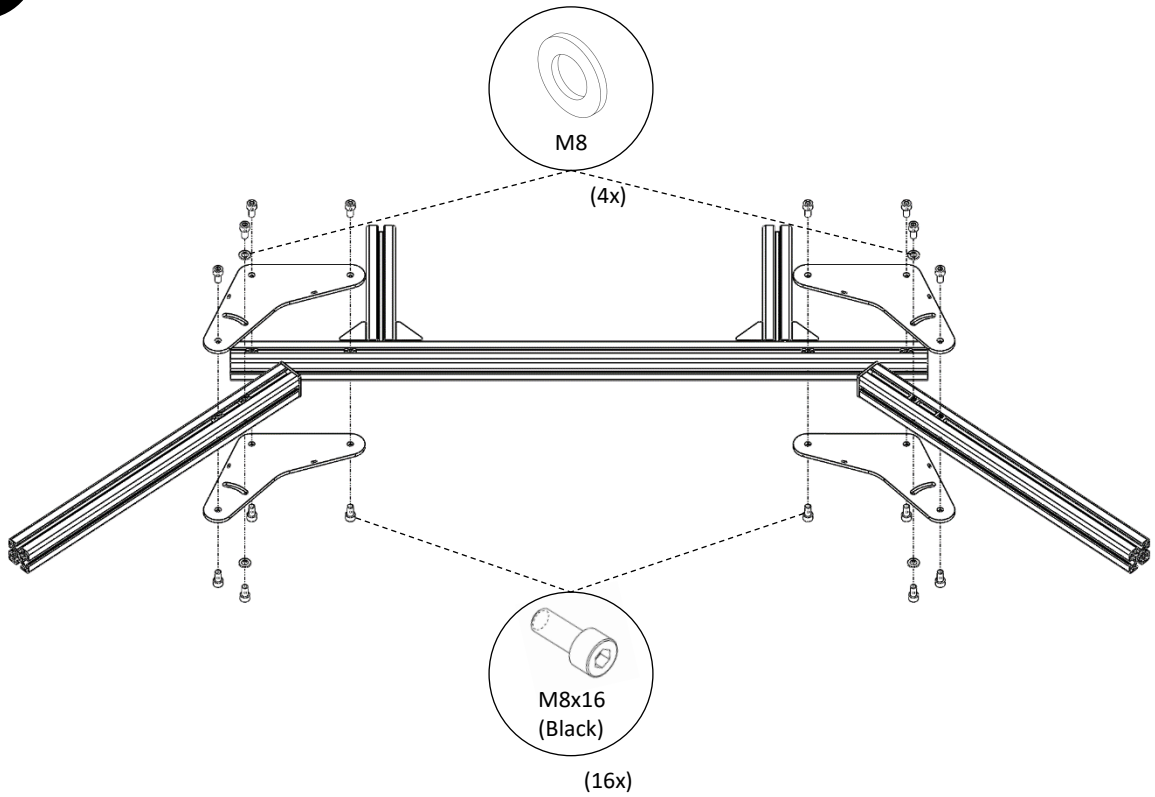
6



7



8

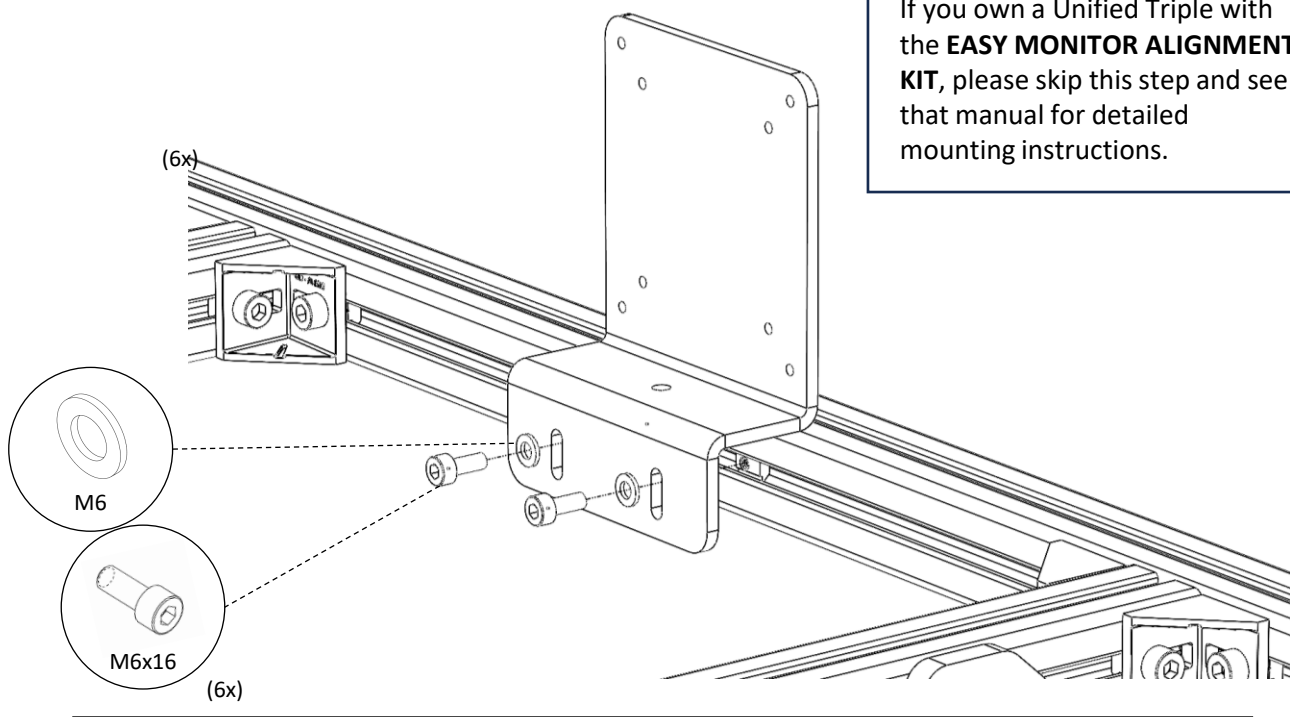


9



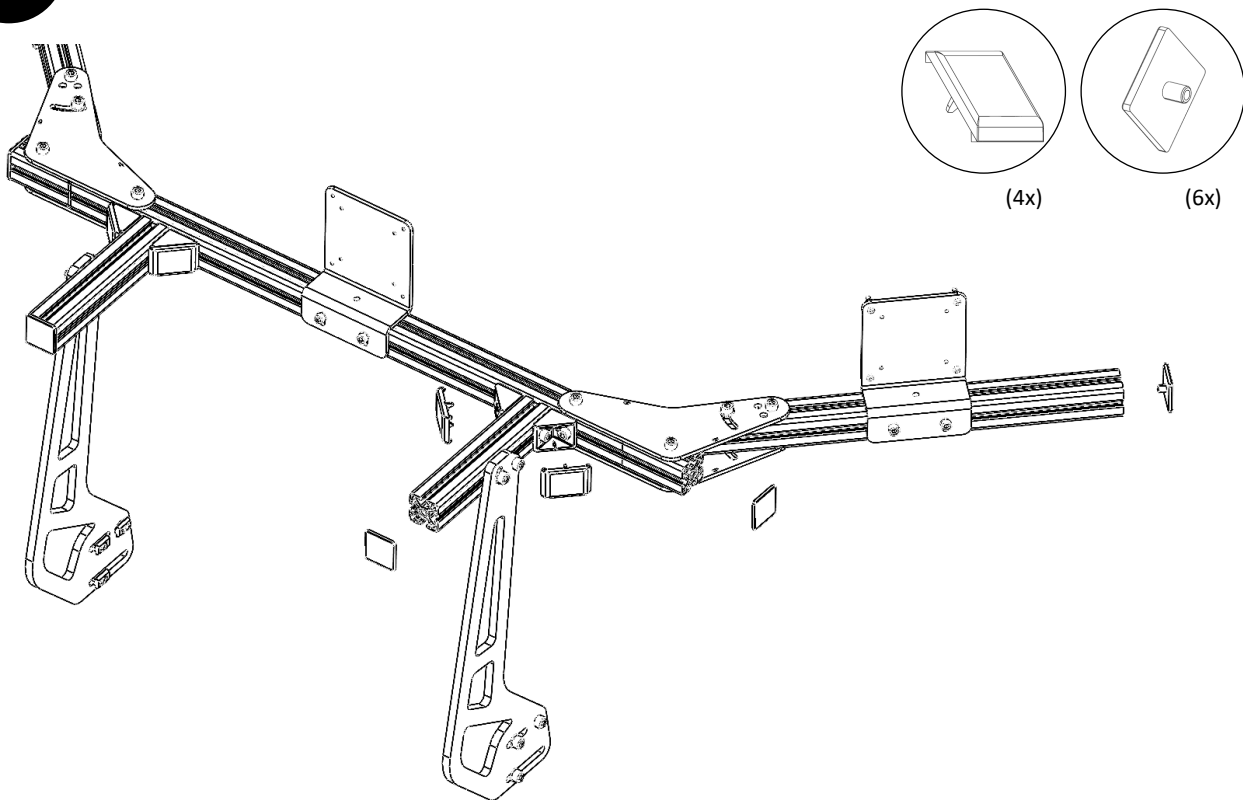
VESA bracket can be mounted up- or downwards. For screens > 27" we recommend mounting it upwards.

If you own a Unified Triple with the **EASY MONITOR ALIGNMENT KIT**, please skip this step and see that manual for detailed mounting instructions.



10

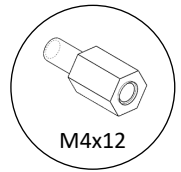
Place all the cover caps.



11



If necessary, use M4x10 spacers (included in package)



M4x12

(12x)

