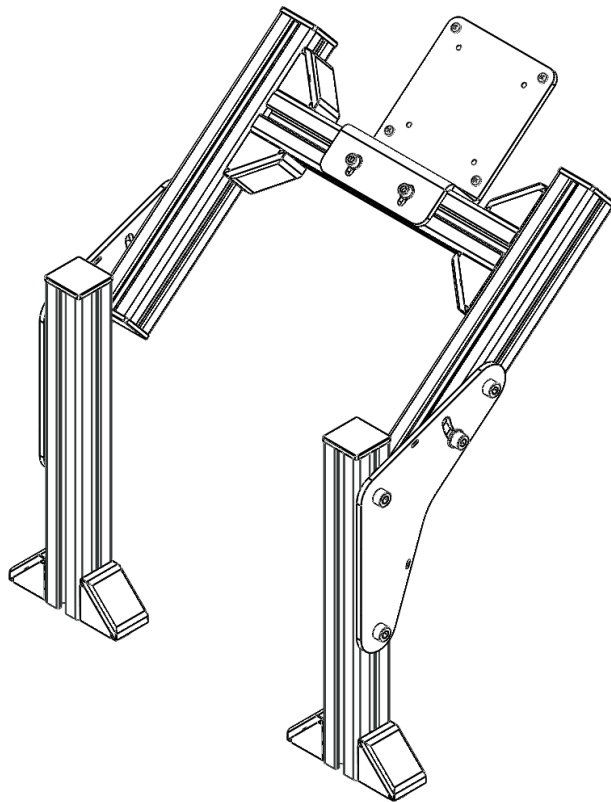
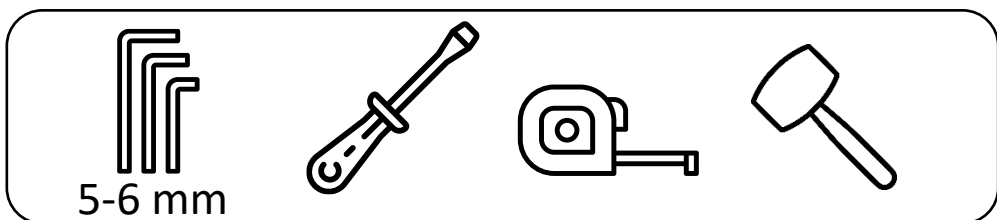


# UPPER MONITOR MOUNT

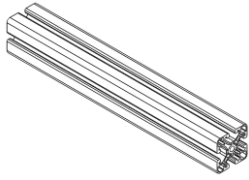
## INSTRUCTION MANUAL



### REQUIRED TOOLS:

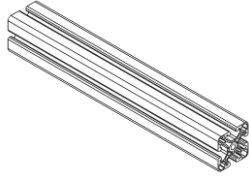


**1**



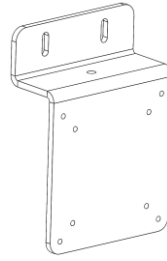
Profile 4040 L=280

**3x**



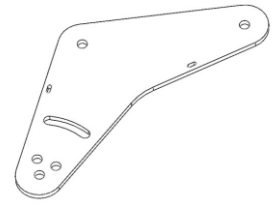
Profile 4040 L=320

**2x**



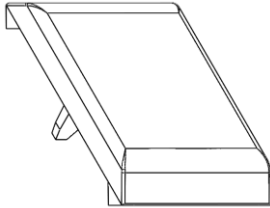
VESA Bracket

**1x**



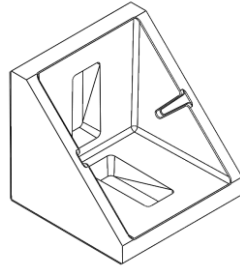
Bracket

**2x**



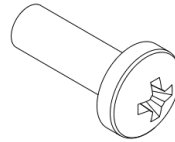
Corner Cover 4040

**8x**



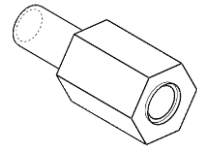
Corner 4040

**8x**



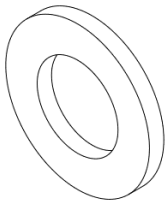
M4x12

**4x**



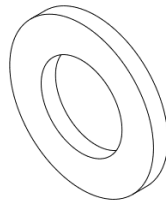
Spacer M4x10

**4x**



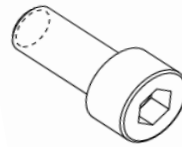
Plain Washer M6

**2x**



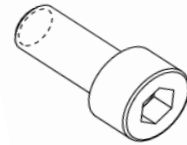
Plain Washer M8

**2x**



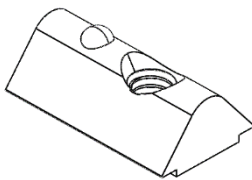
M8x16

**24x**  
(8x Black)



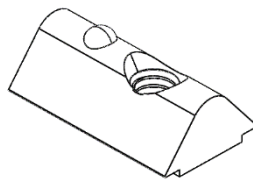
M6x16

**2x**



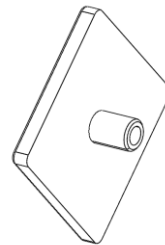
Click-in Nut M6

**2x**



Click-in Nut M8

**24x**



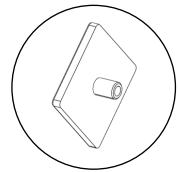
Cover 4040

**6x**

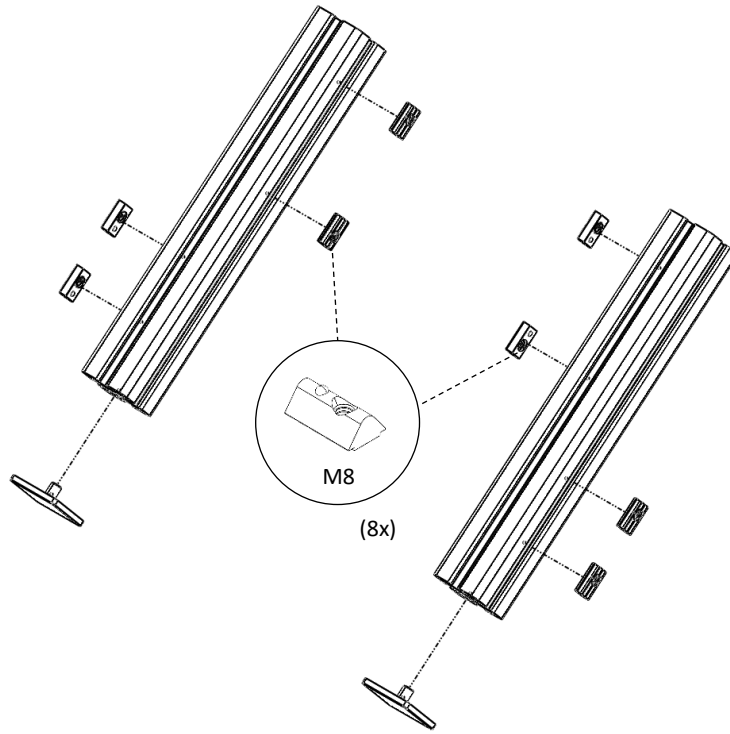
2



Profile 4040 L=280



(2x)



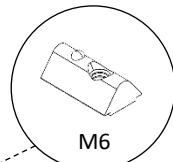
M8

(8x)

3

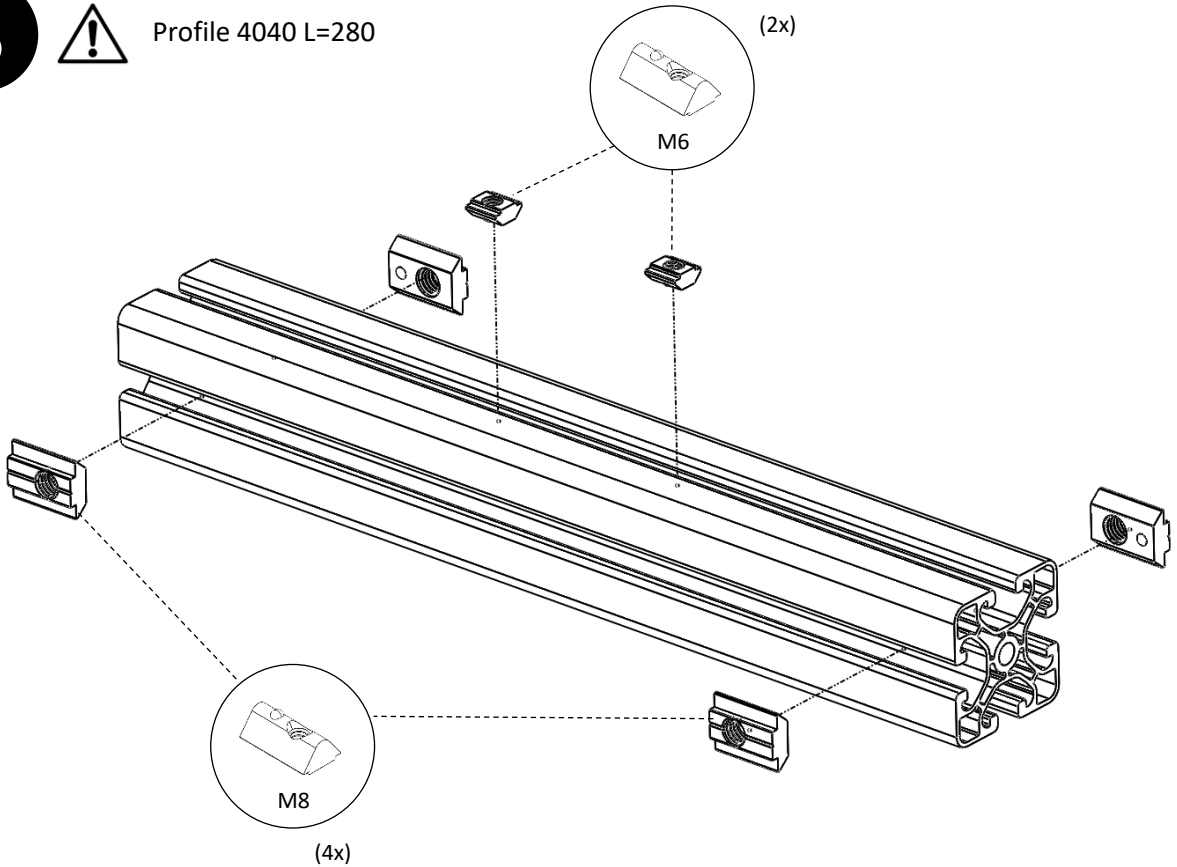


Profile 4040 L=280



(2x)

M6



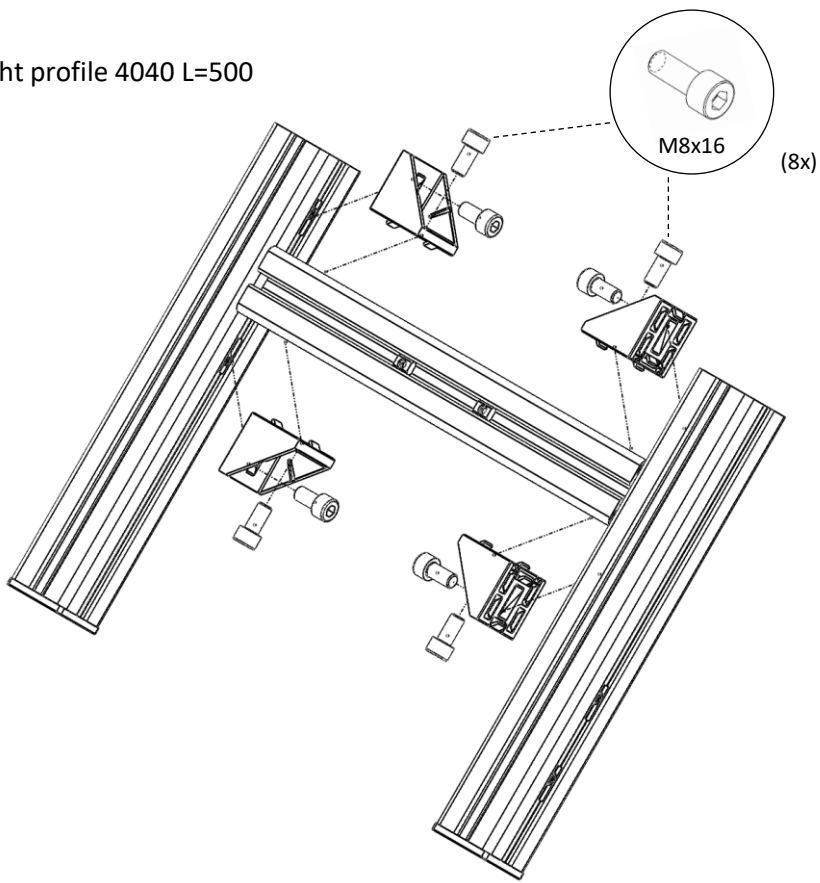
M8

(4x)

4



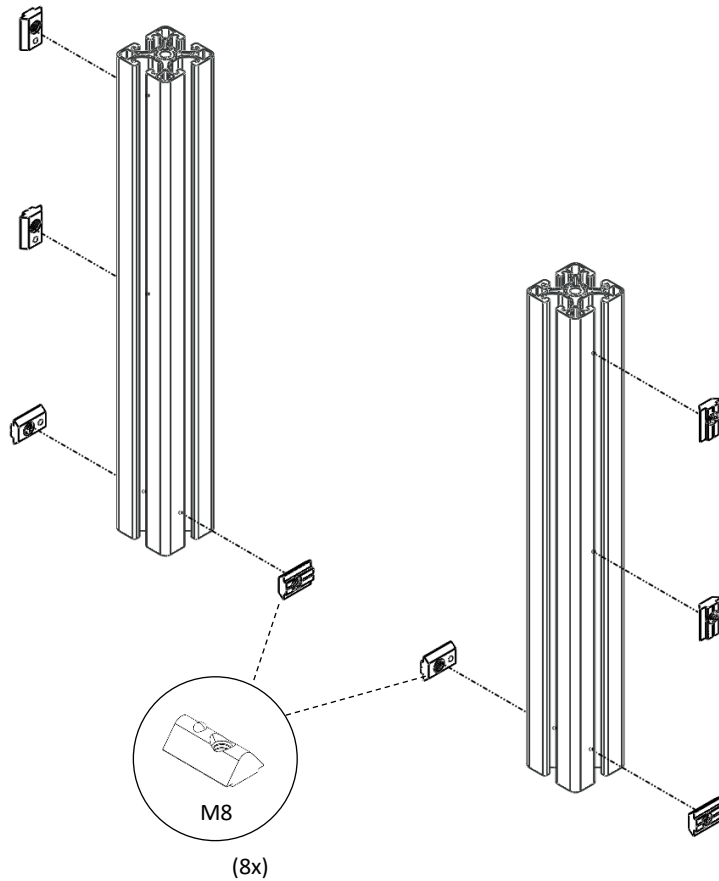
Right profile 4040 L=500



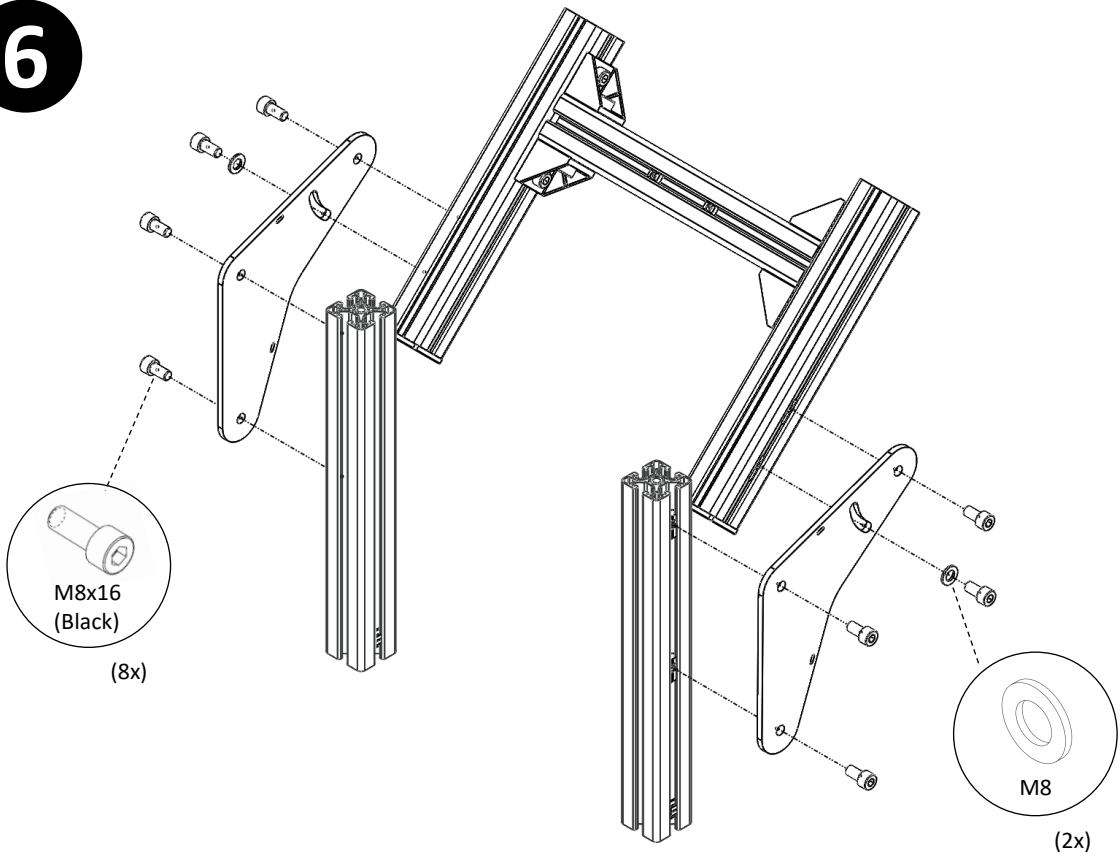
5



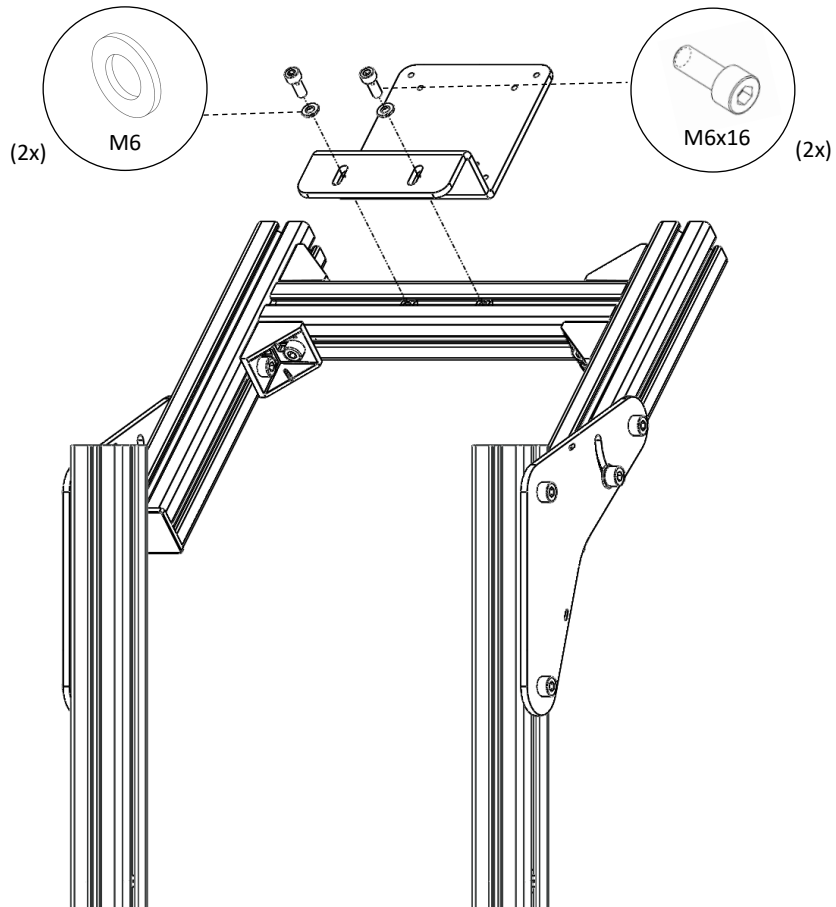
Profile 4040 L=320



6



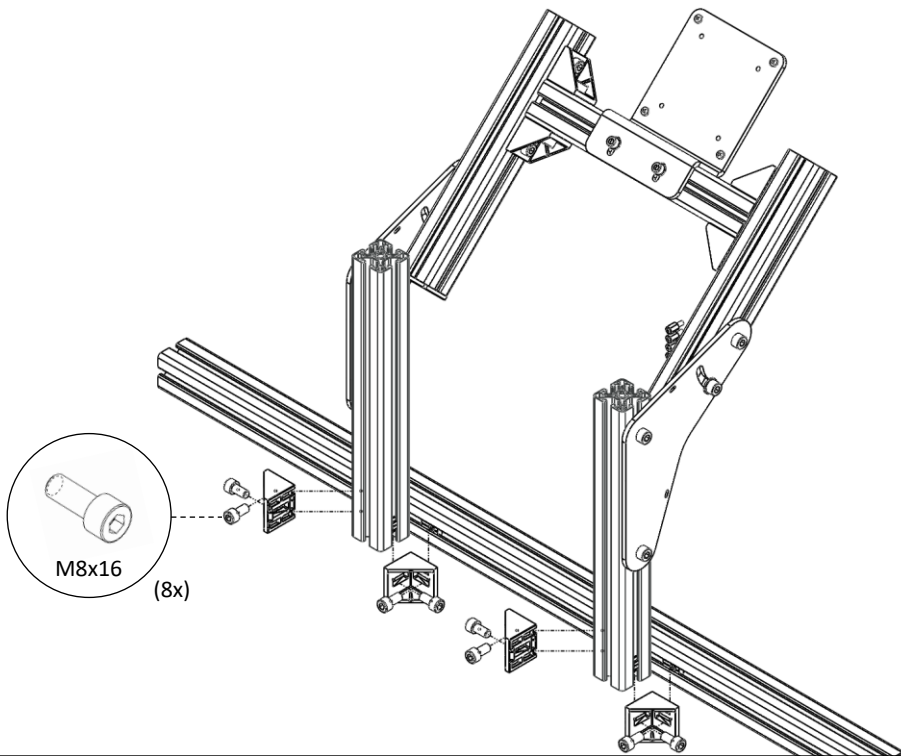
7



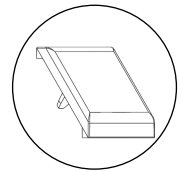
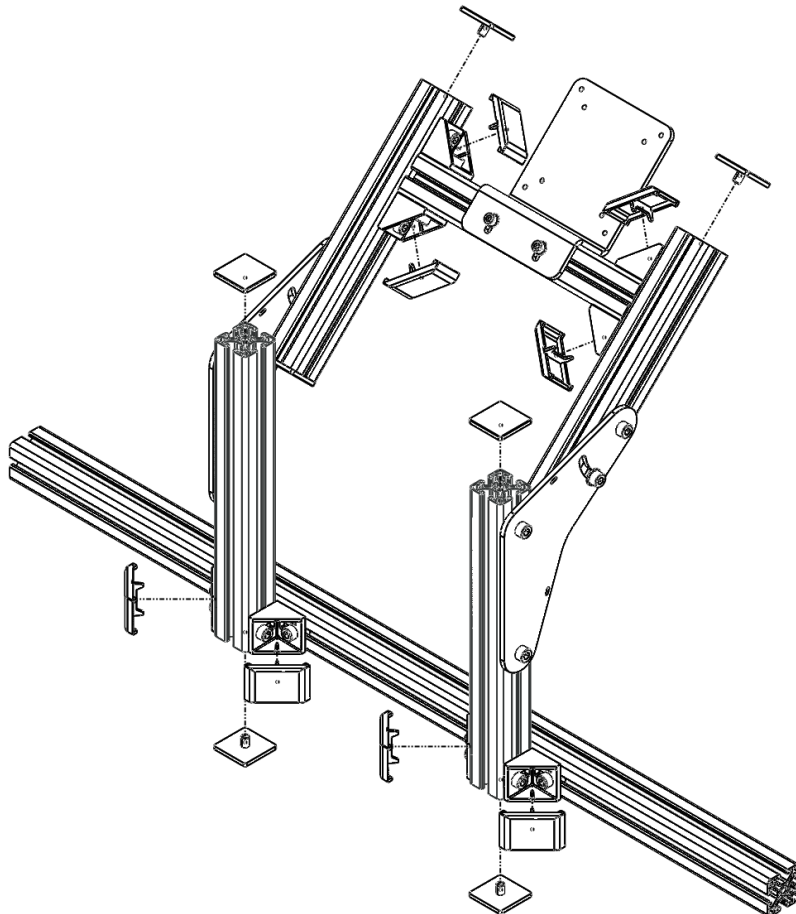
8



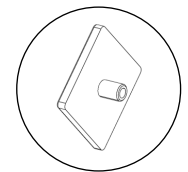
Mounting position of corner pieces dependent installed VESA mounts of monitor below.



9



(8x)

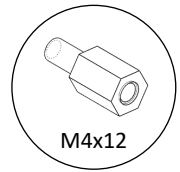


(6x)

11



If necessary, use M4x10 spacers (included in package)



M4x12

(4x)

