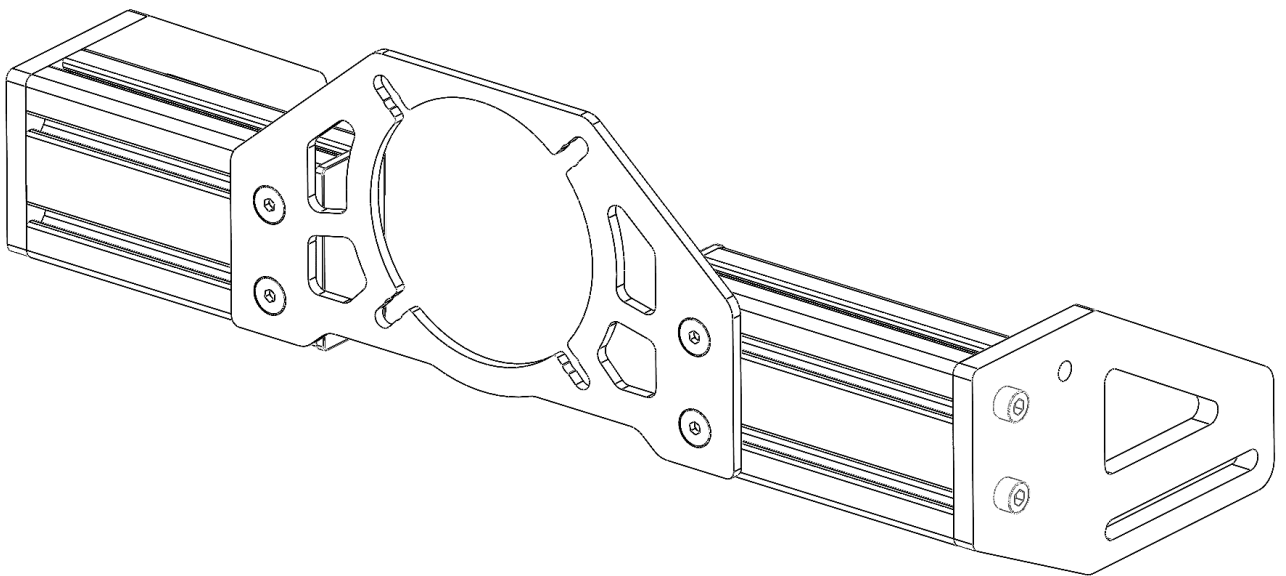


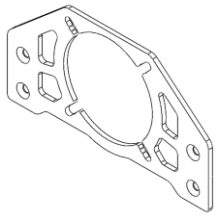
# FRONT WHEEL MOUNT

## INSTRUCTION MANUAL

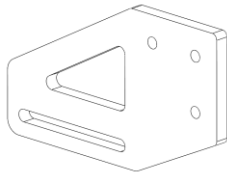


### REQUIRED TOOLS:

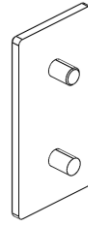


**1**

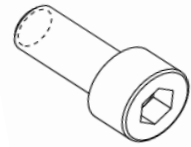
Front Mounting Plate

**1x**

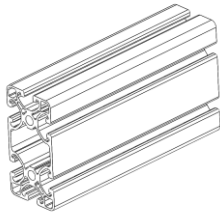
Side Mounting Plate

**2x**

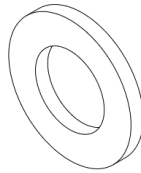
Cover 4080

**8x**

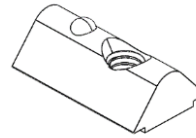
M8x20 DIN 912

**8x**

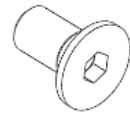
Profile 8040

**2x**

Plain Washer M8

**12x**

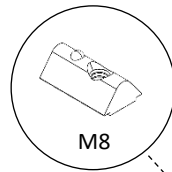
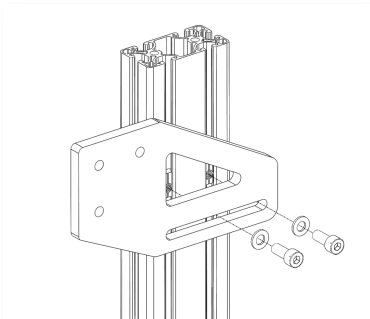
Click-in Nut M8

**12x**

M8x20 DIN 7991

**4x****2**

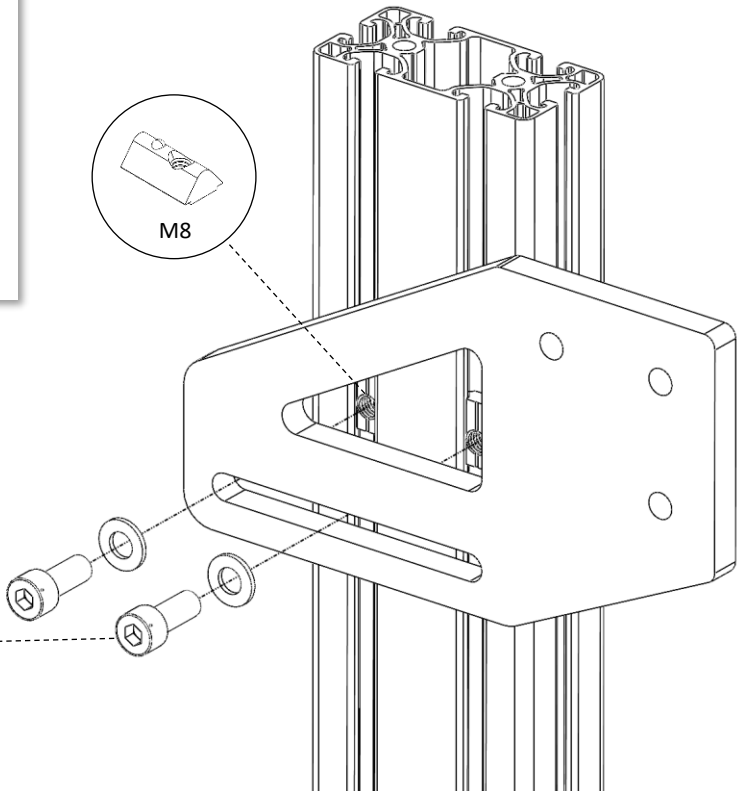
Mount both 'Side Mounting Plates' to the upright profiles of your rig.



M8

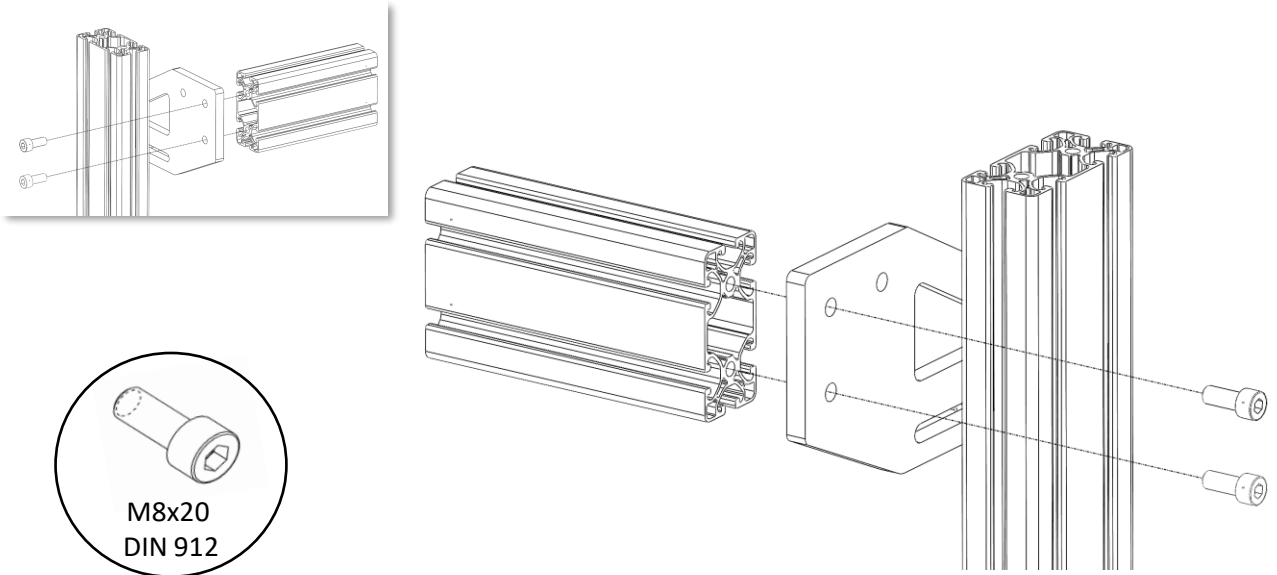


Washer

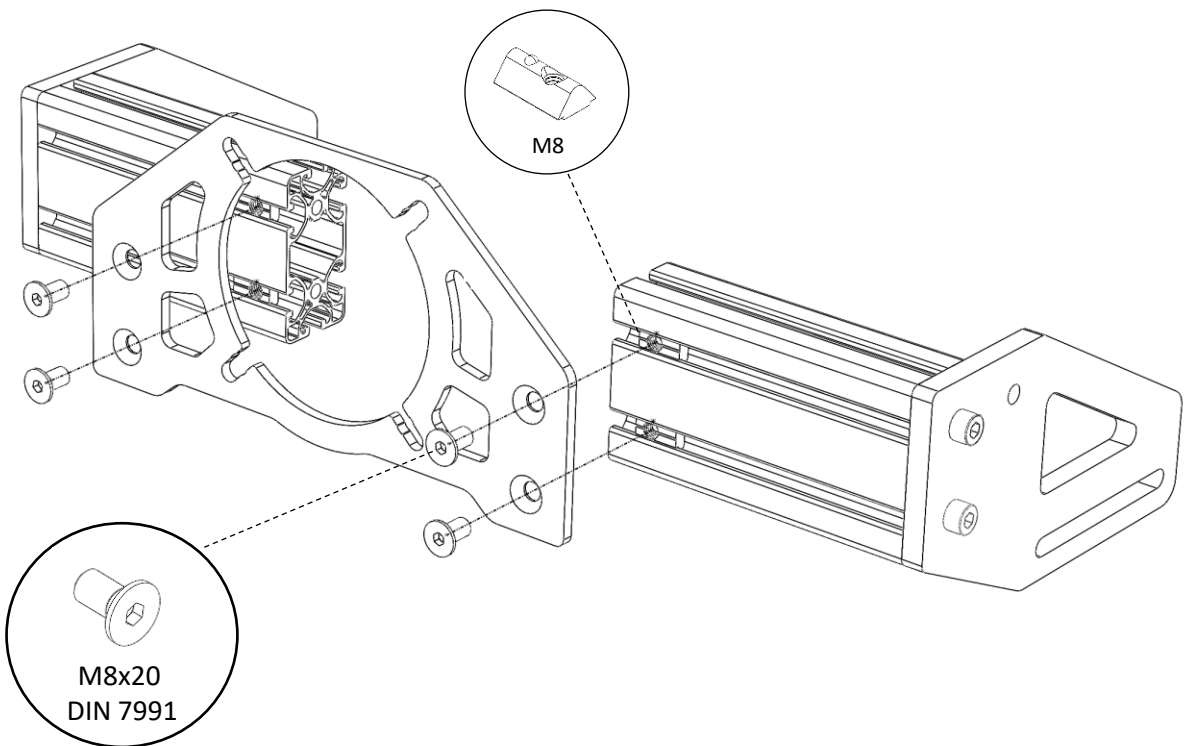
M8x20  
DIN 912

3

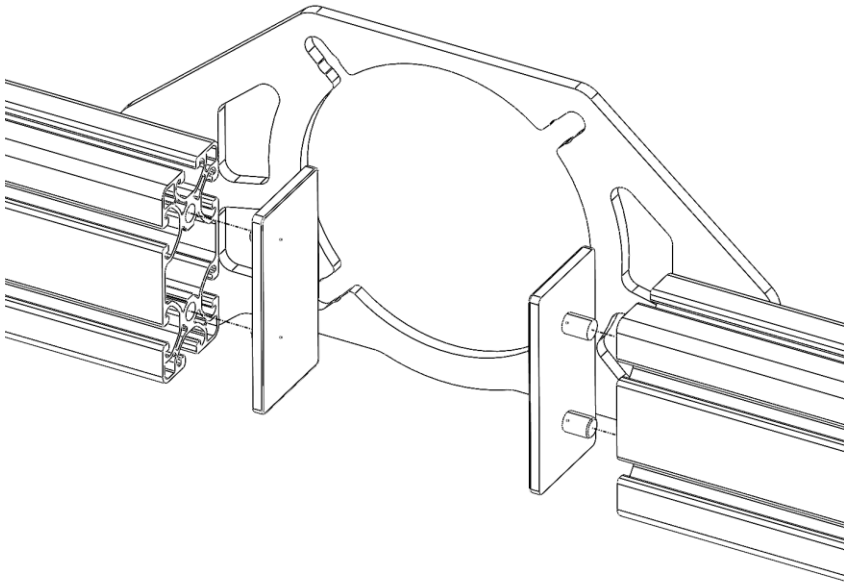
Mount the two 8040 profiles through the vertically aligned holes of the Side Plates.



4



5



6

With the spare fasteners , you can mount your wheelbase.

