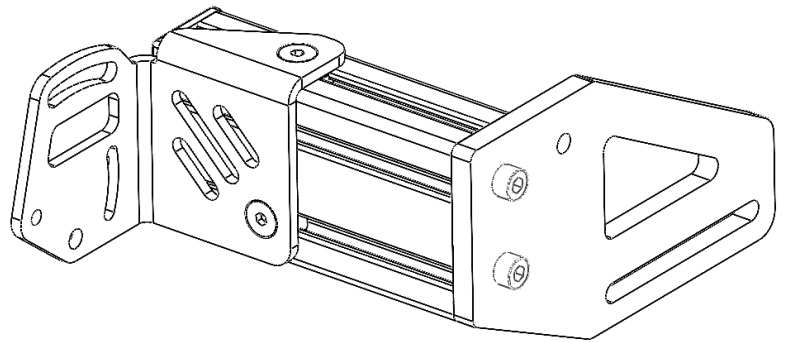
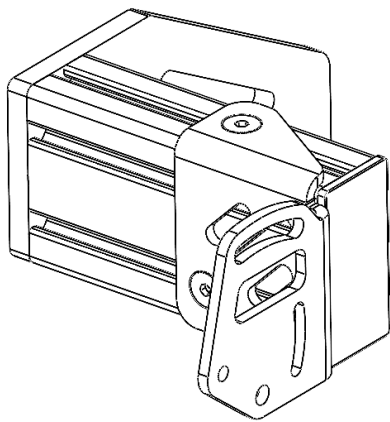


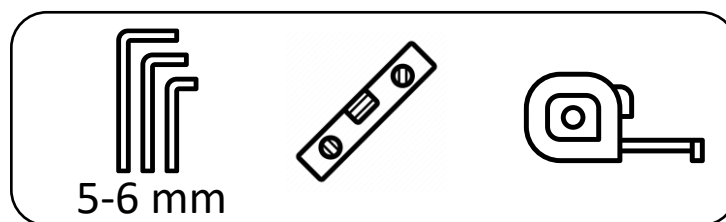
# FANATEC & SIMAGIC

# SIDE MOUNT

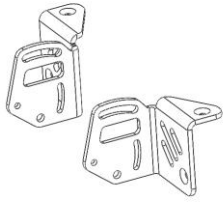
## INSTRUCTION MANUAL



### REQUIRED TOOLS:

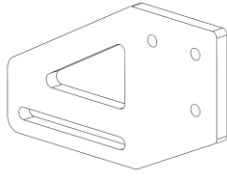


1



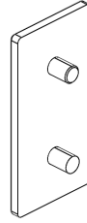
Side Mounting Plates

1x



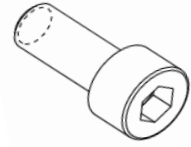
Side Mounting Plate

2x



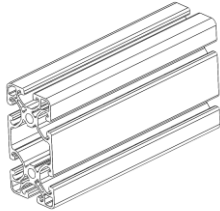
Cover 4080

8x



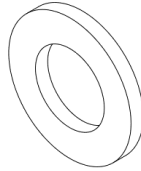
M8x20 DIN 912

8x



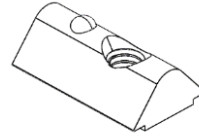
Profile 8040

2x



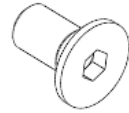
Plain Washer M8

12x



Click-in Nut M8

12x

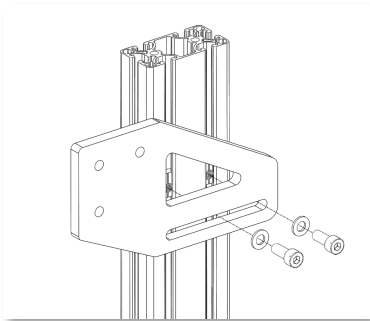


M8x20 DIN 7991

4x

2

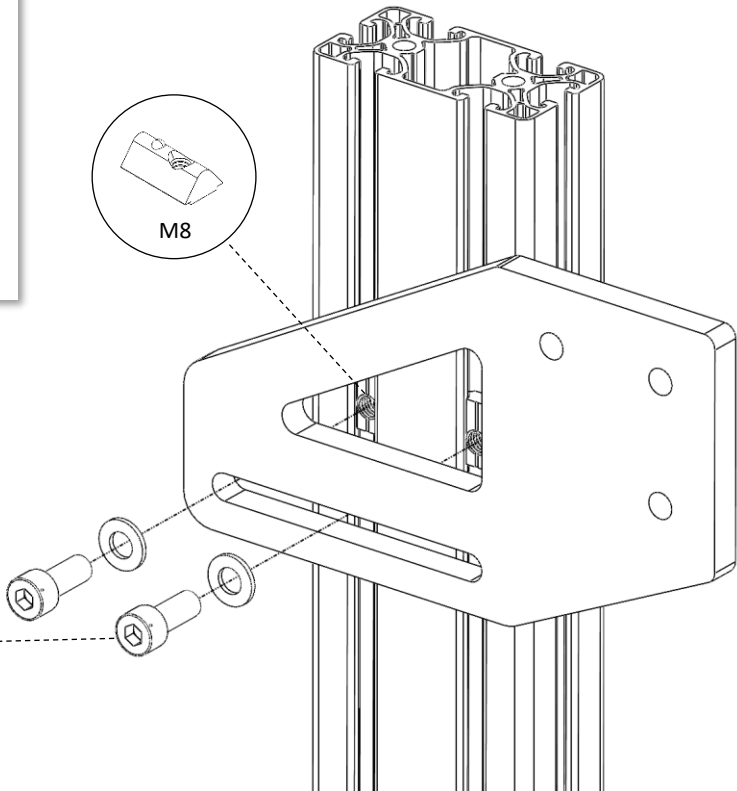
Mount both 'Mounting Plates' to the upright profiles of your rig using the M8 bolts and nuts.



Washer

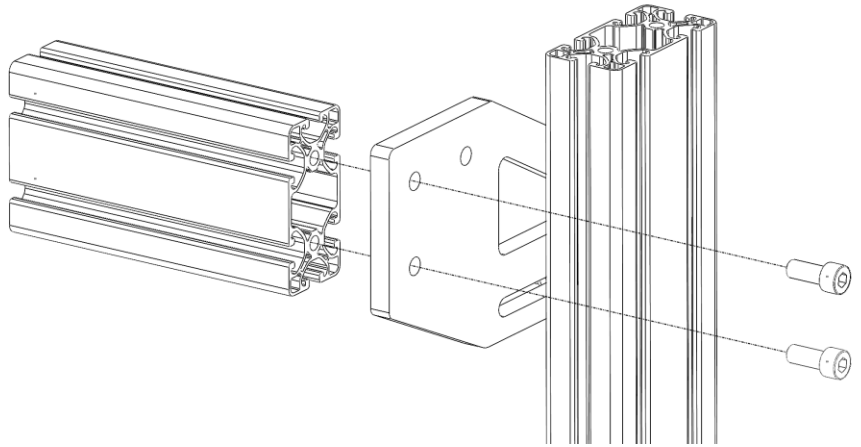
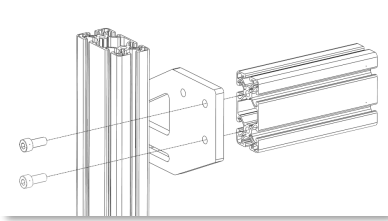


M8x20  
DIN 912

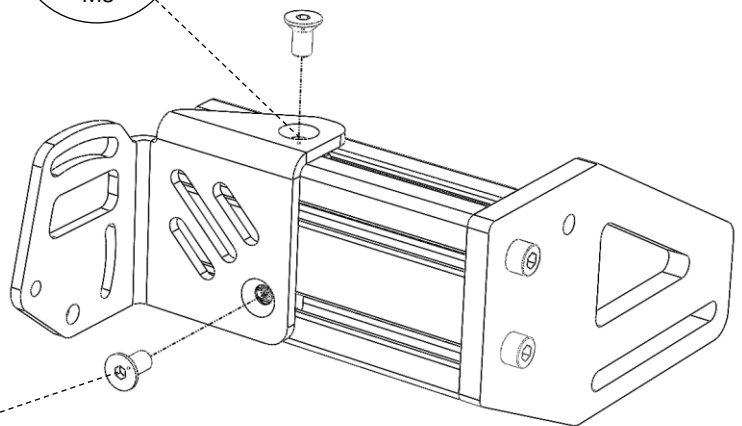
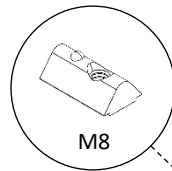
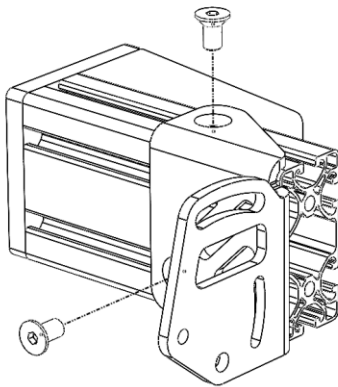


3

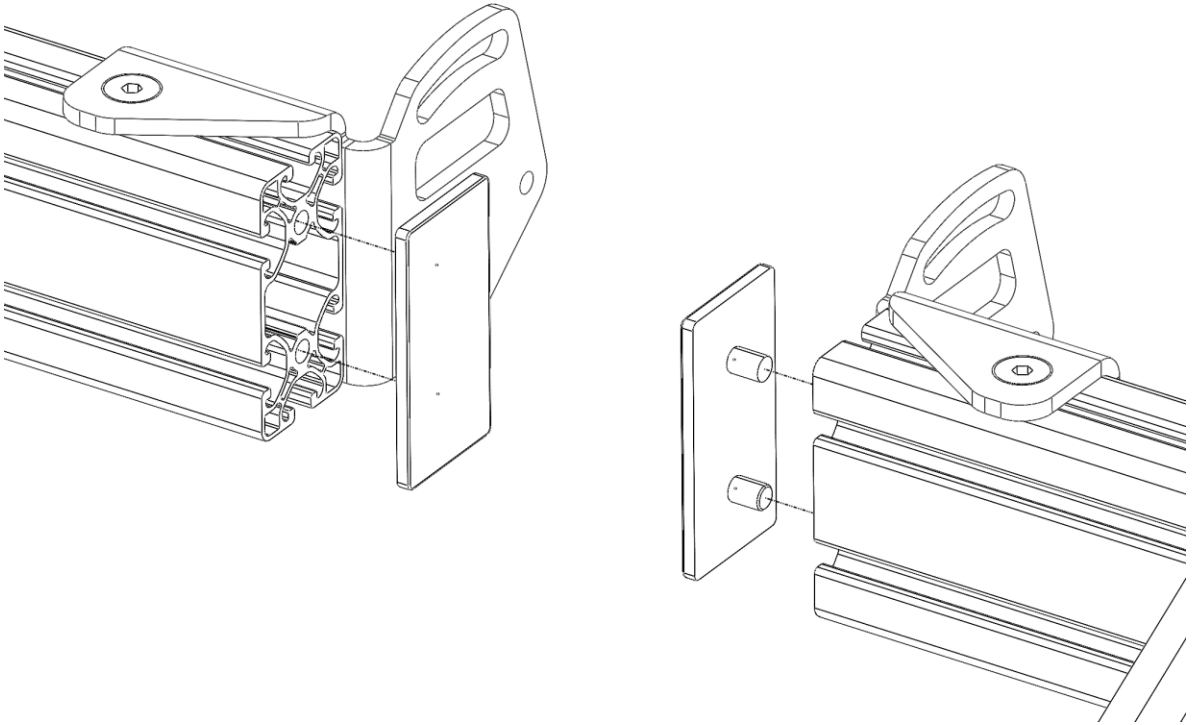
Mount the two 8040 profiles through the vertically aligned holes of the Side Plates.



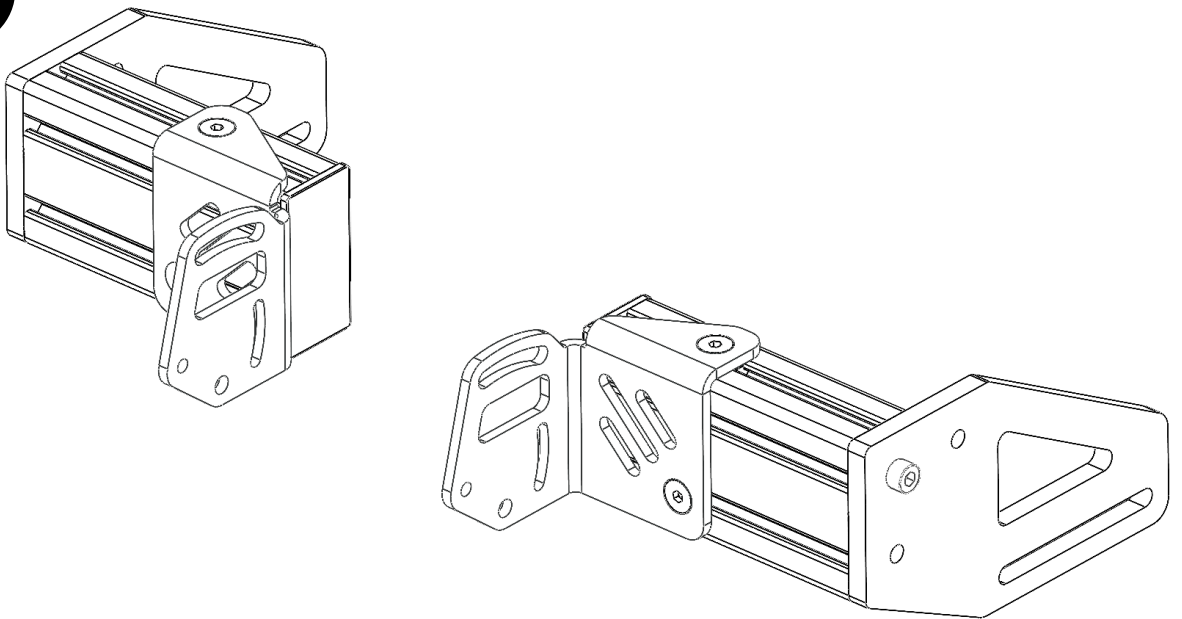
4



5



6



With the spare fasteners, you can mount your wheelbase.  
The tiny spacers are for wheel bases that mount with M6, like the Fanatec CSL (ClubSport) DD.  
You can place these around the M6 screws, so they fit nicely into the M8 holes.