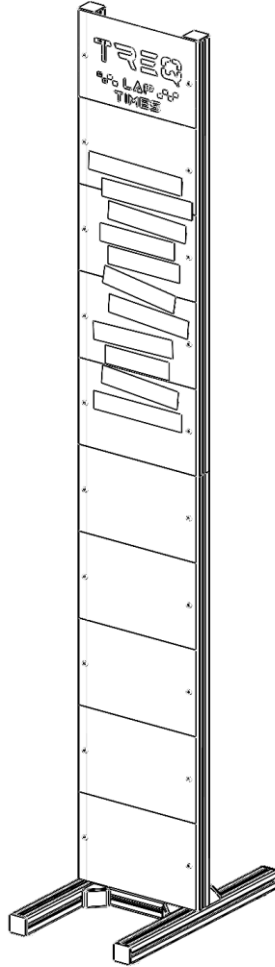


LEADERBOARD

QUICK GUIDE

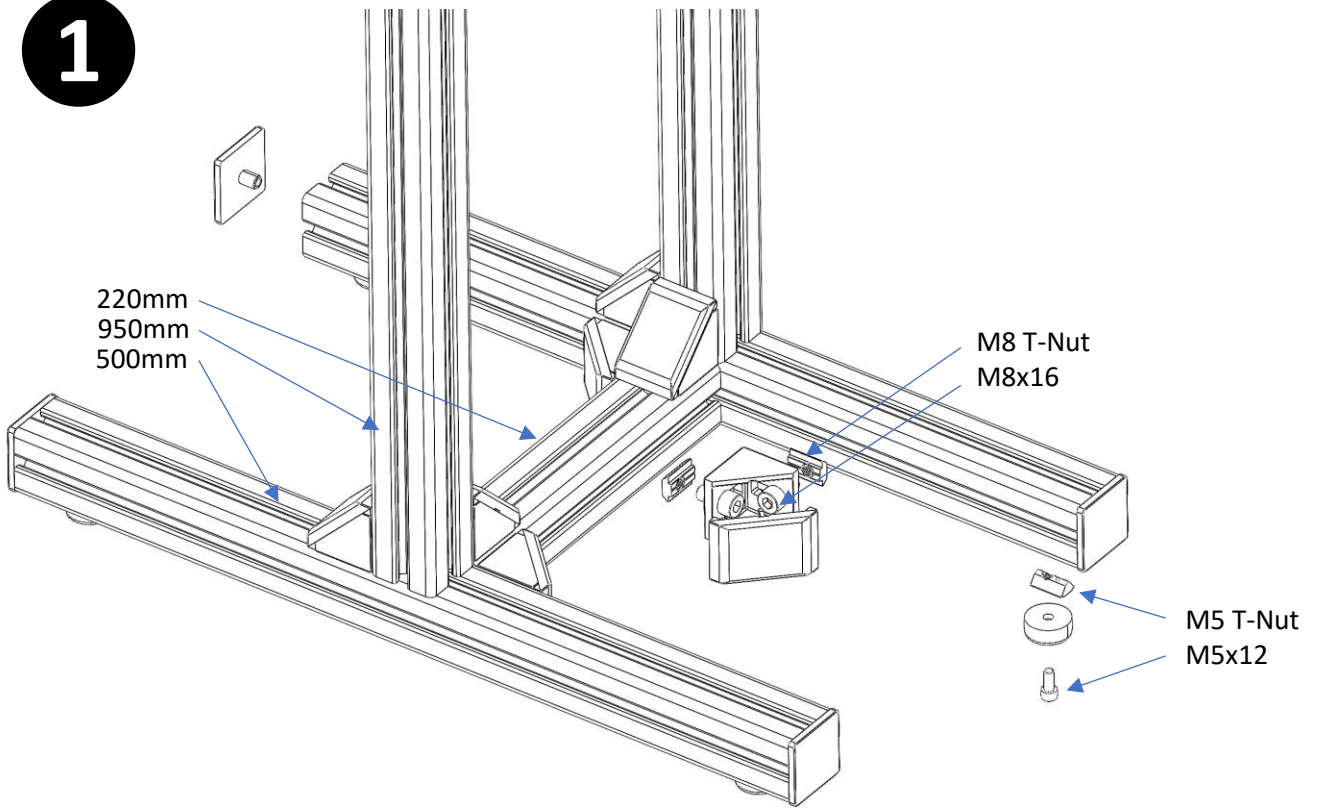


REQUIRED TOOLS:

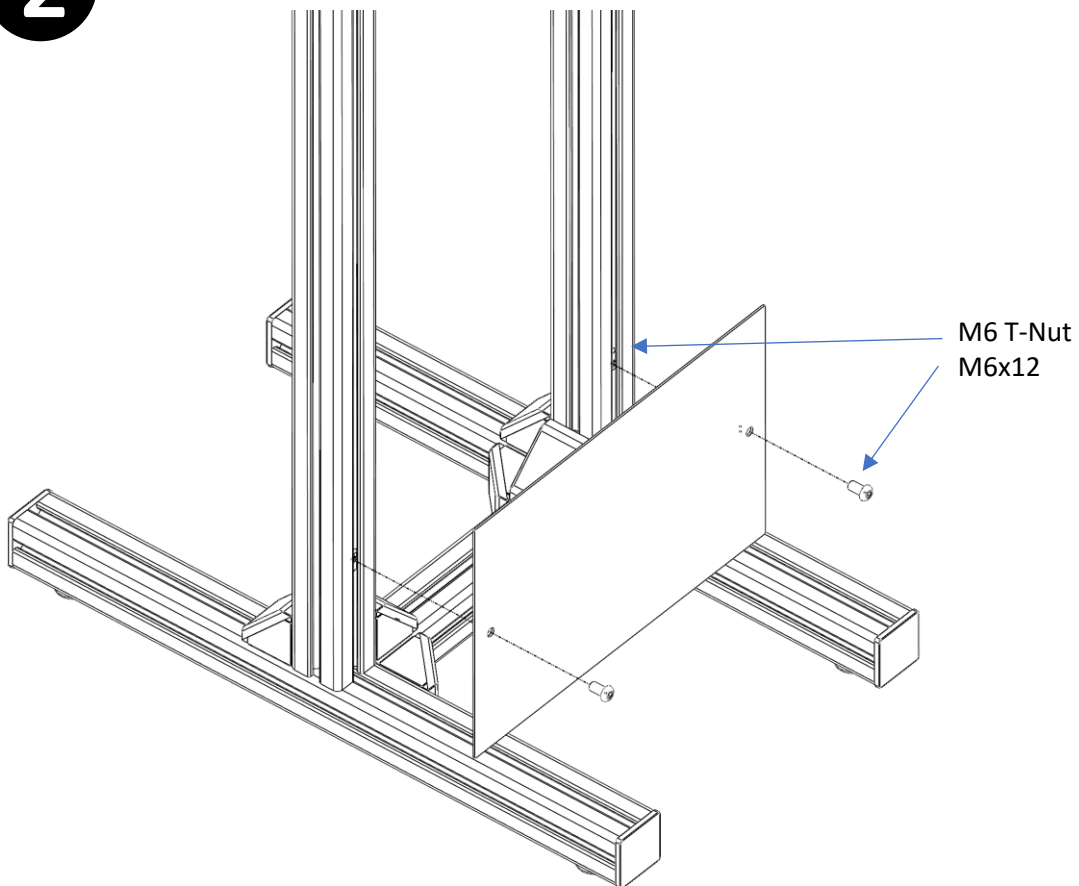


4-6 mm

1

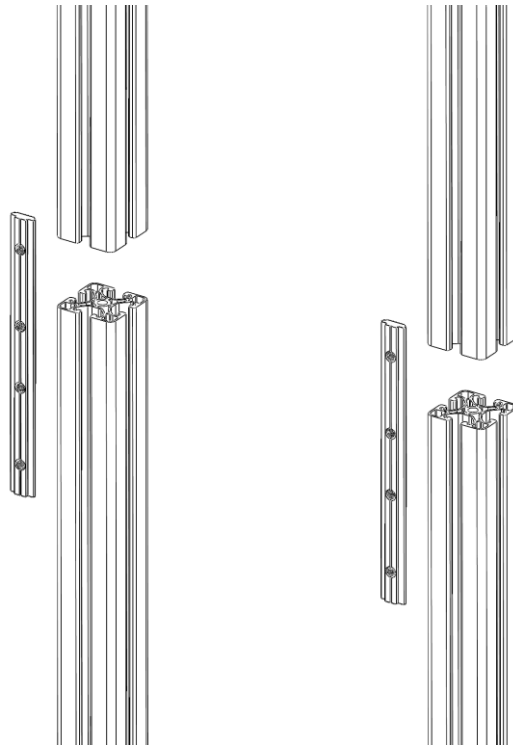


2



3

Place these extension nuts on the rear of the leaderboard.



4

