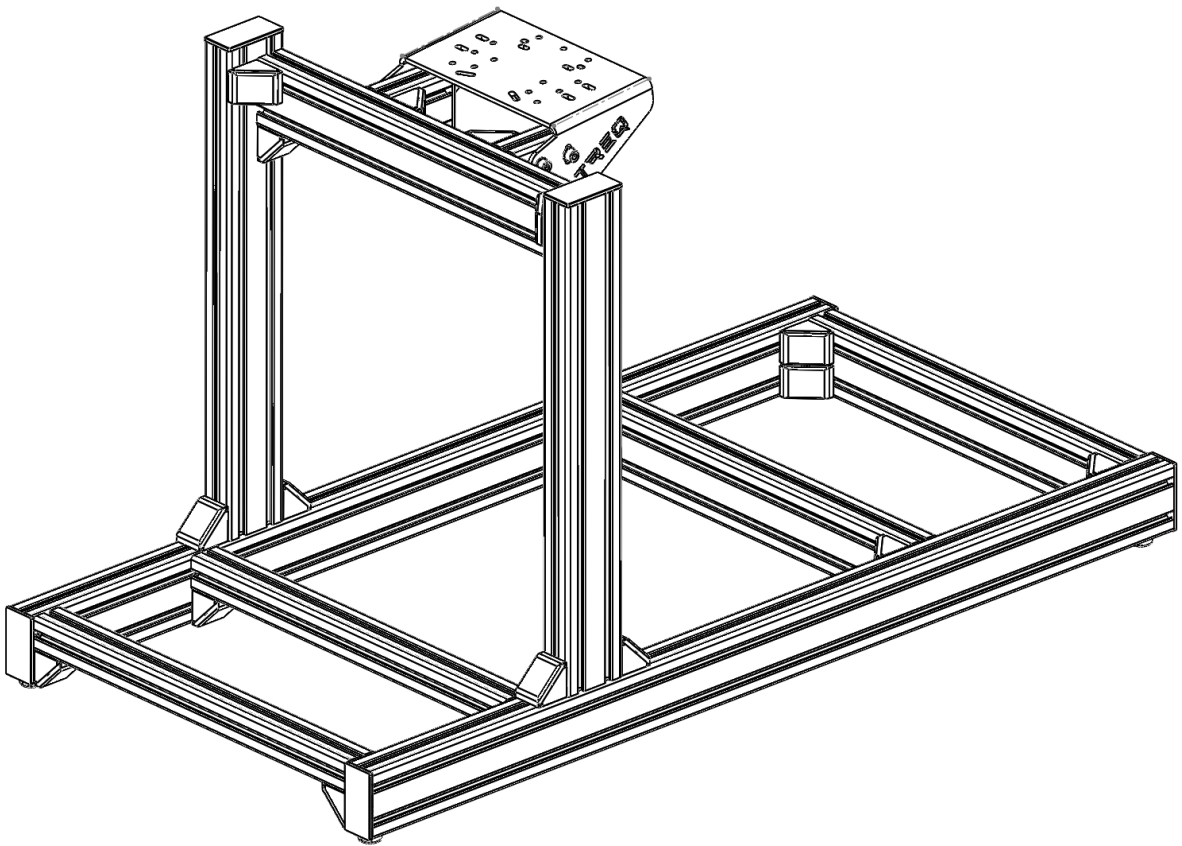


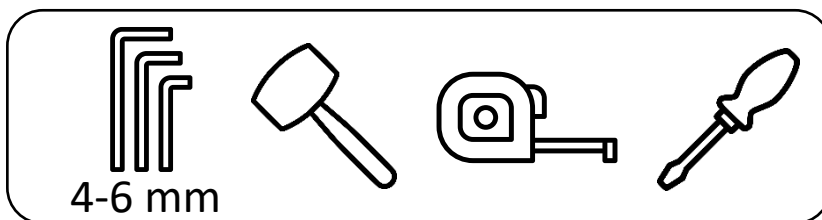
TREQ ROOKIE

INSTRUCTION MANUAL

The setup of your rig is very dependent on body type, personal seating preferences and the equipment you own, but to give you a head start, we included a setup scheme on the last page.

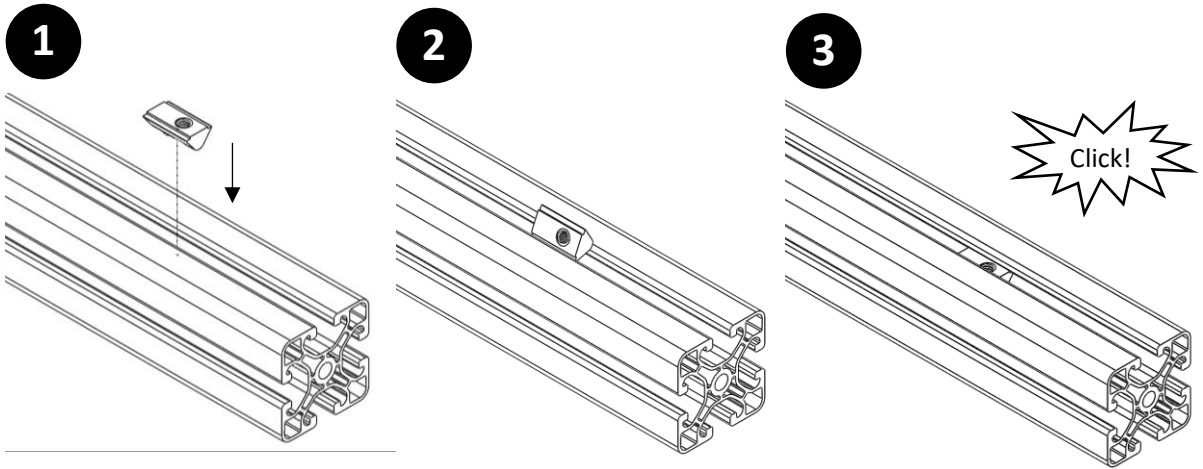


REQUIRED TOOLS:

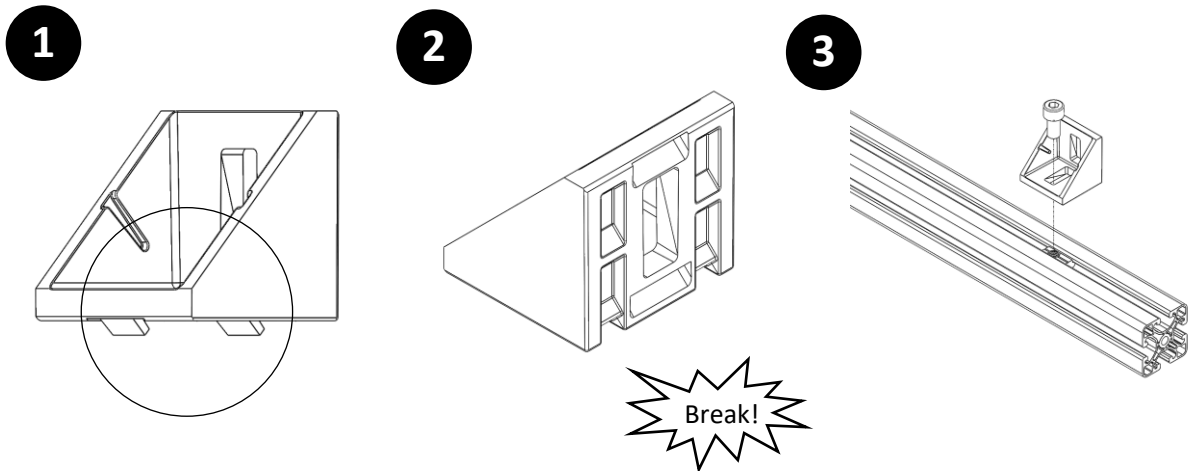


GENERAL INSTRUCTIONS

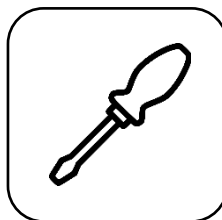
The easiest way to mount the click-in-nuts, is to slide them in from one side of the profile. But don't worry if you need to put in a click-in-nut in a profile which has both ends already closed: it is also possible to push them in the T-slot anywhere you like!



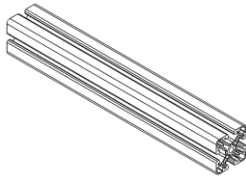
The corner brackets feature 4 little hooks to stop the bracket from rotating once it is mounted on a profile. But on some places of the rig these corner brackets are placed on a 90° angle of the T-slot. In these situations it is recommended to break off 2 of the hooks, which is easily done with a screwdriver or a pincer.



REQUIRED TOOL:

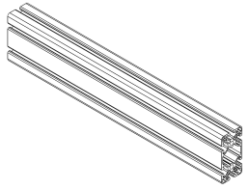


1



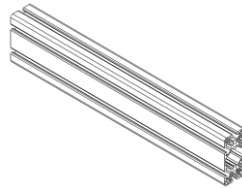
Profile 4040 L=500

2x



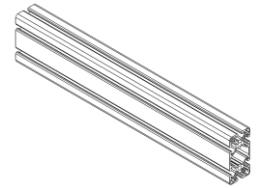
Profile 4080 L=500

3x



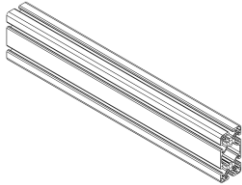
Profile 4080 L=1170

2x



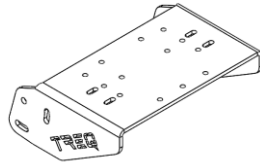
Profile 4080 L=580

2x



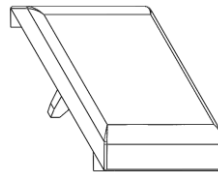
Profile 4080 L=90

2x



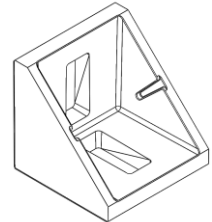
Wheel Mount Bracket

1x



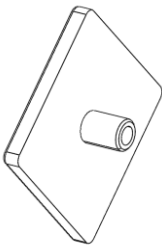
Corner Cover 4040

28x



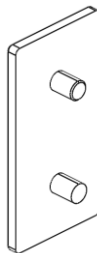
Corner 4040

28x



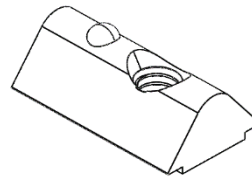
Cover 4040

4x



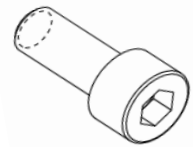
Cover 4080

8x



M8 Click-in-Nut

62x



M8x16

56x

M8 BOLTS AND WASHERS

M8x16 (Socket Head) Black	6
M8 Washer	6

RUBBER FEET

M5x12 (Socket Head)	4
M5 T-Nut Click-in-Nut	4
Rubber Foot	4

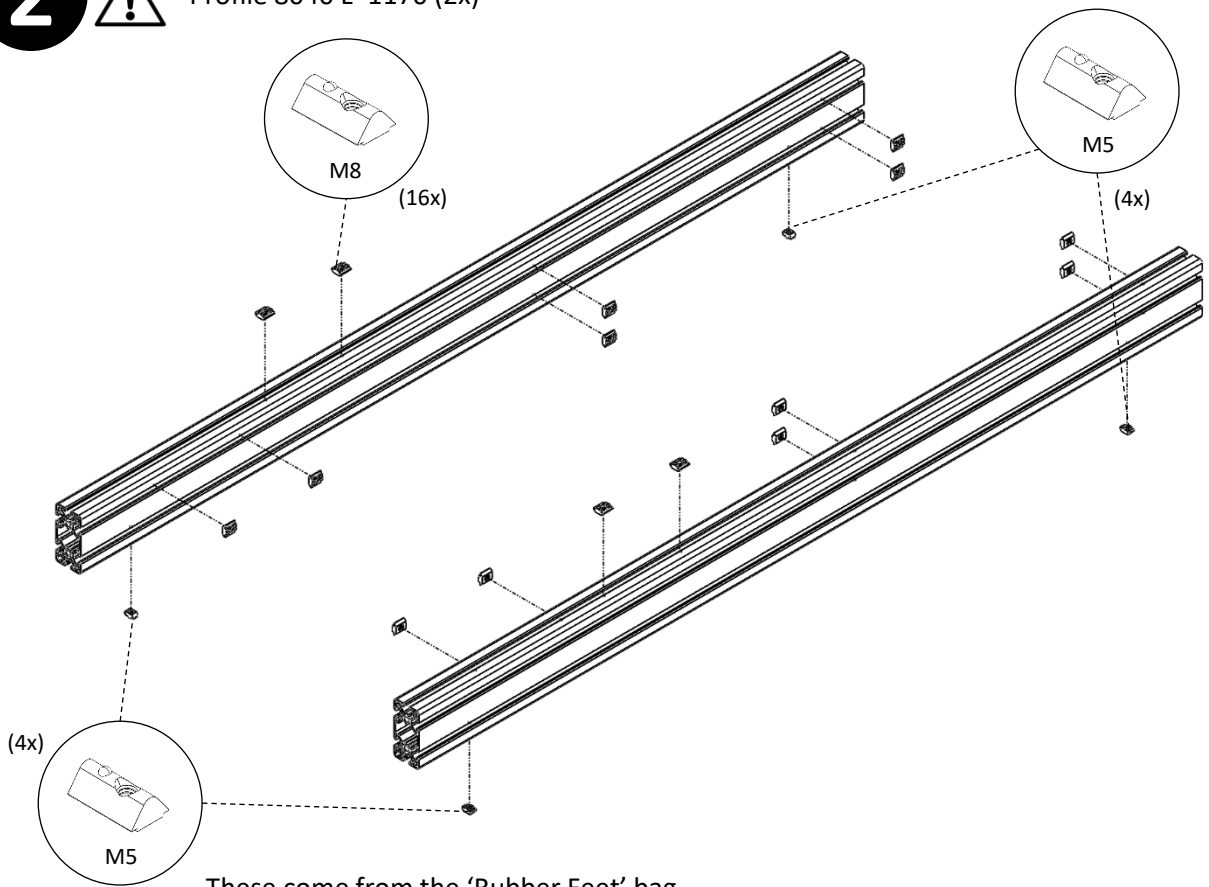
WHEEL BASE / PEDAL MOUNTING

M6x12 Screw	2
M6x16 (Socket Head)	7
M6x20 (Socket Head)	2
M6x25 (Socket Head)	2
M6 Washer	4
M6 T-Nut Click-in-Nut	4

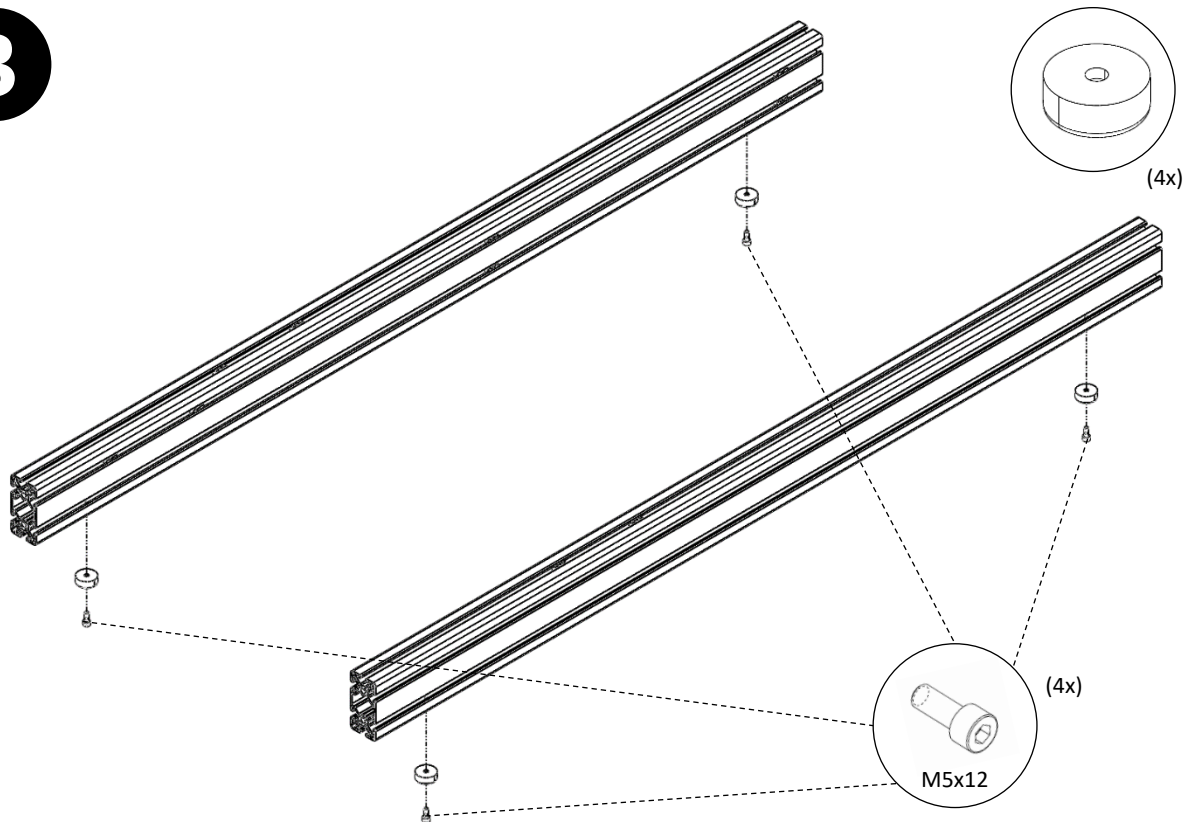
2



Profile 8040 L=1170 (2x)



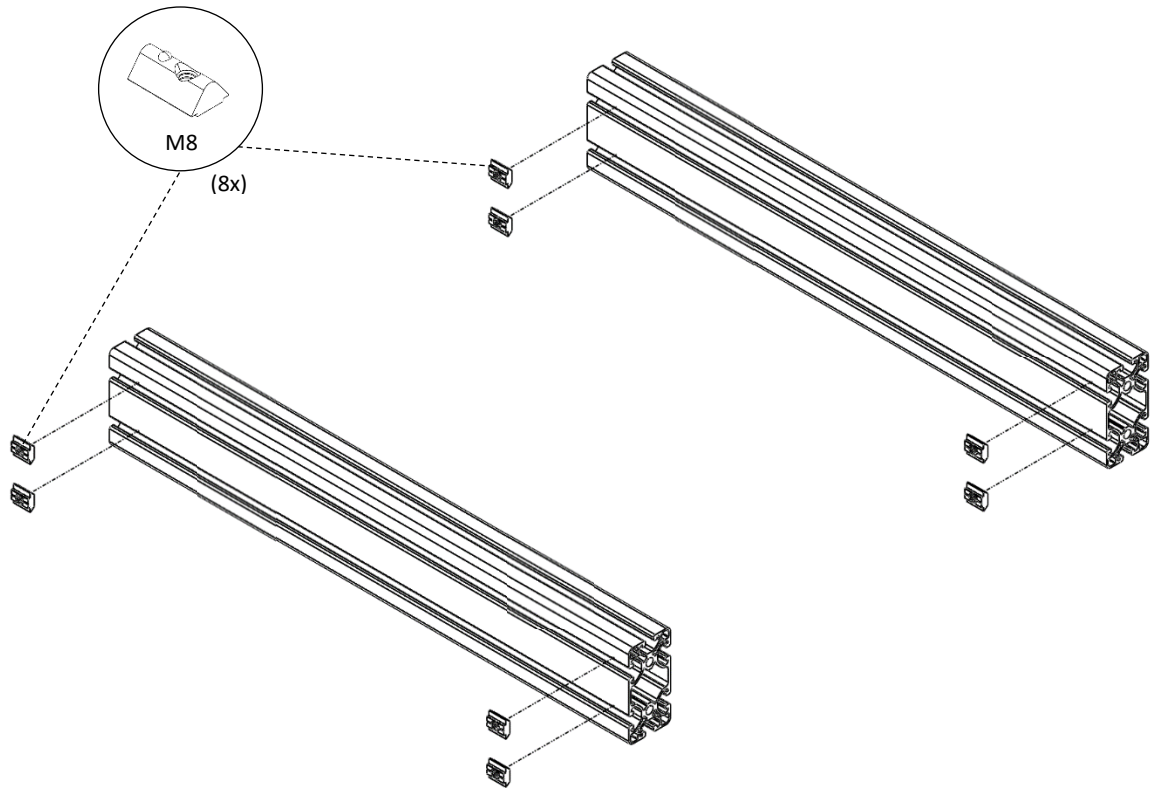
3



4

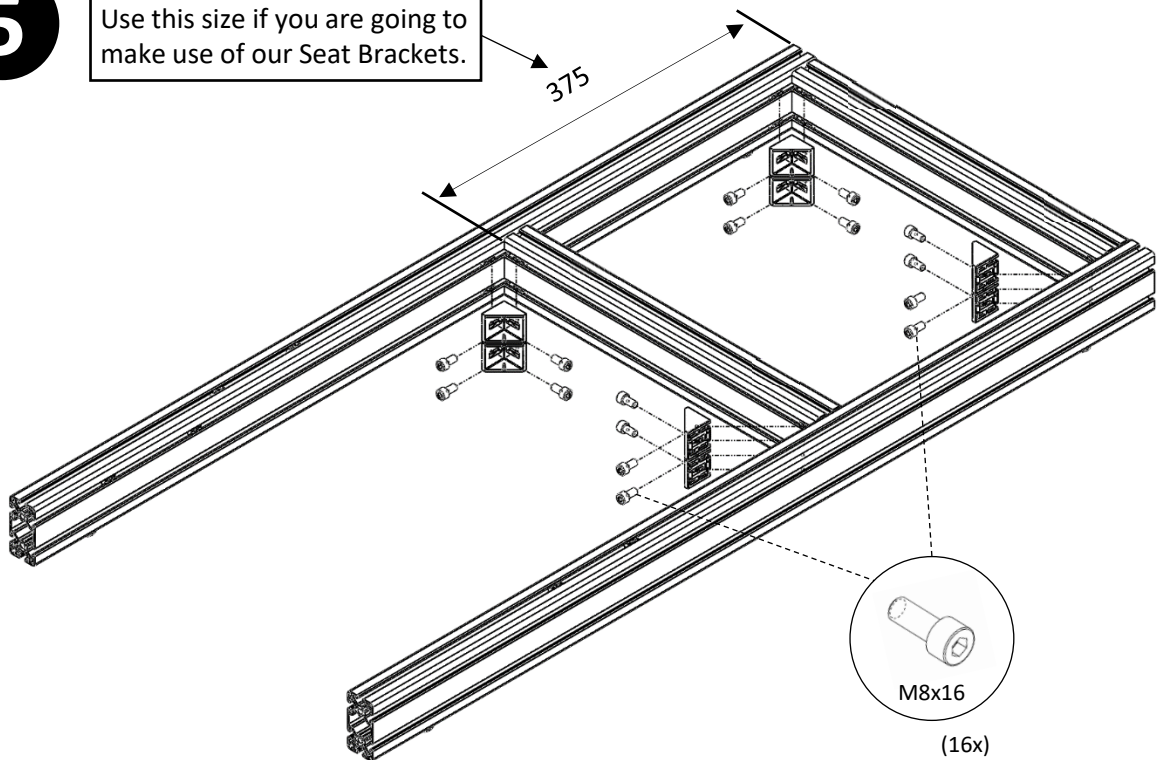


Profile 8040 L=500 (2x)



5

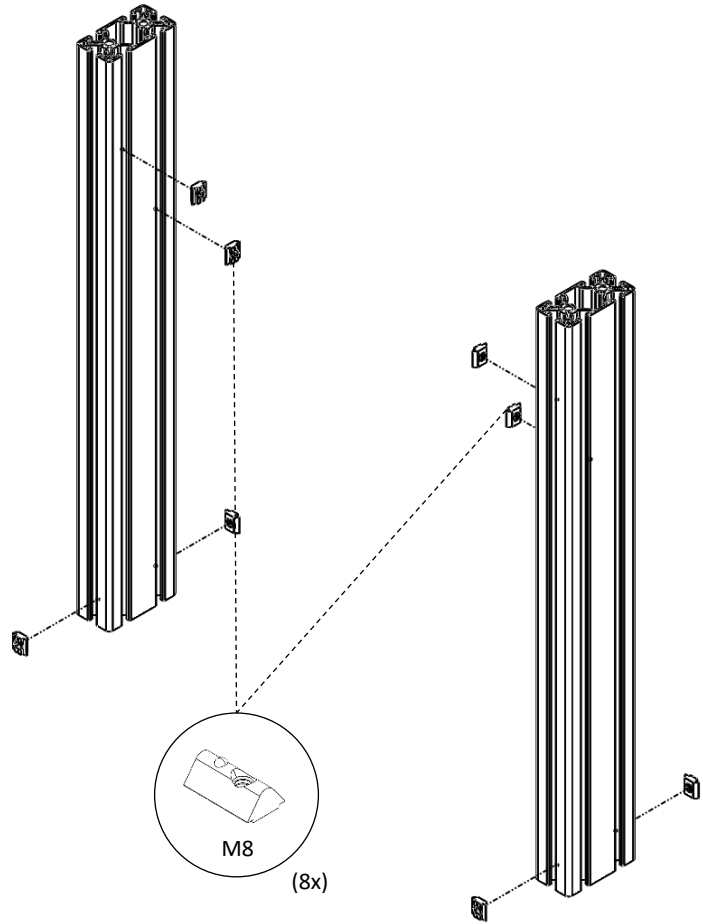
Use this size if you are going to make use of our Seat Brackets.



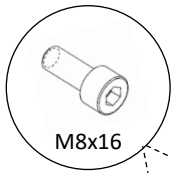
6



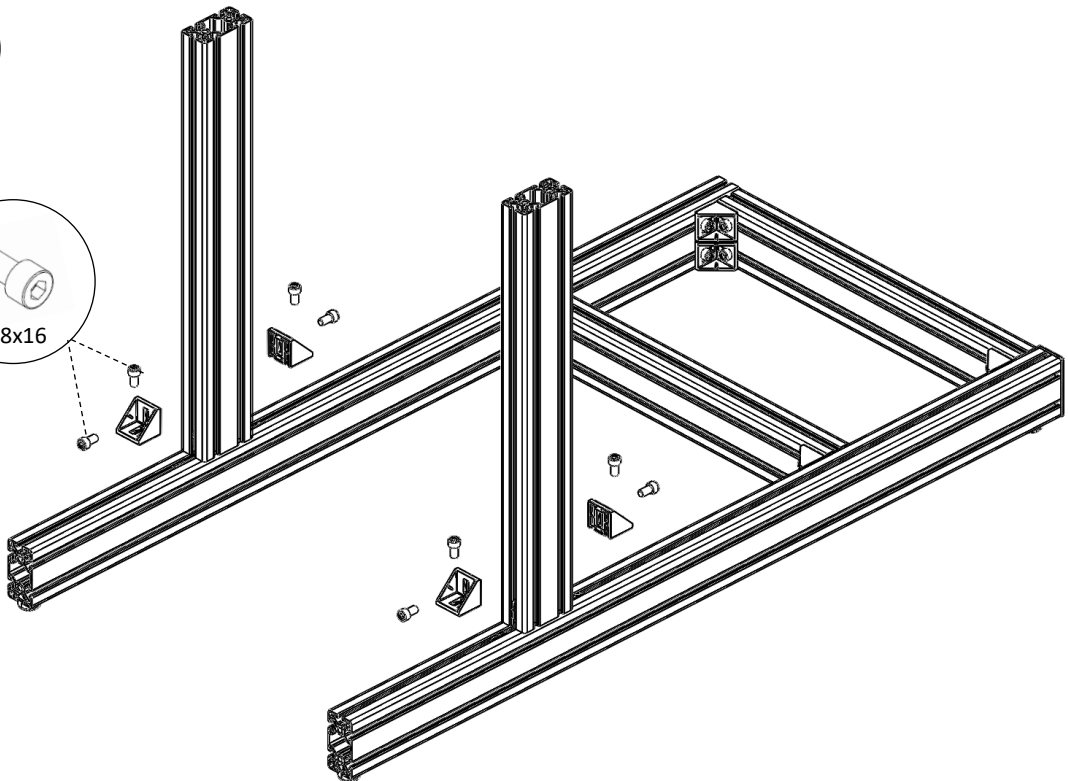
Profile 8040 L=580 (2x)



7



(8x)

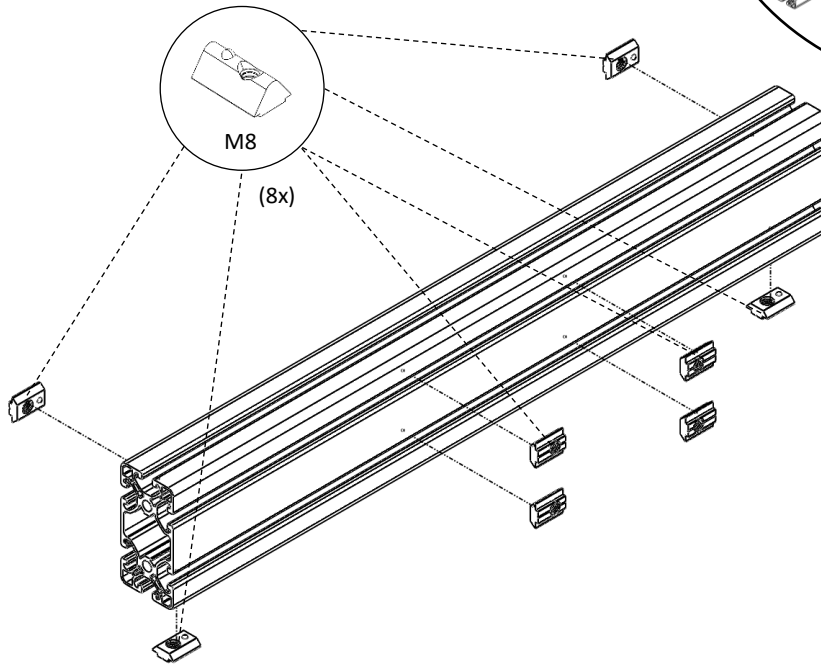
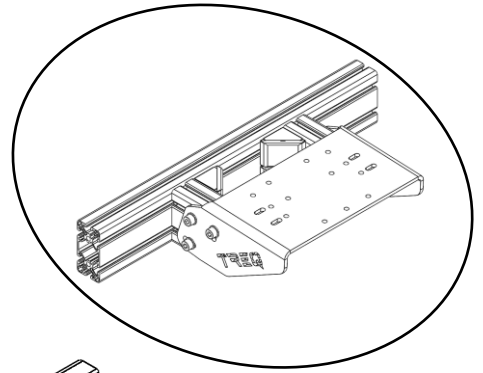


8



Assembly of Wheel Mount Assembly

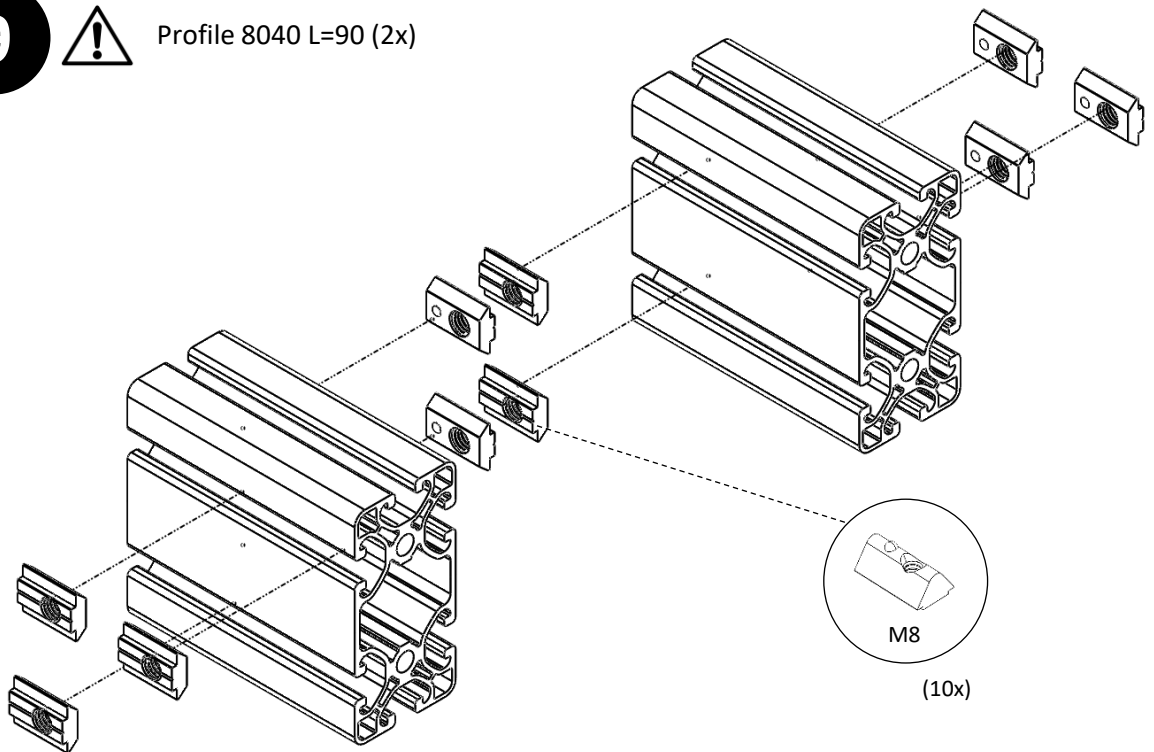
Profile 8040 L=500 (1x)



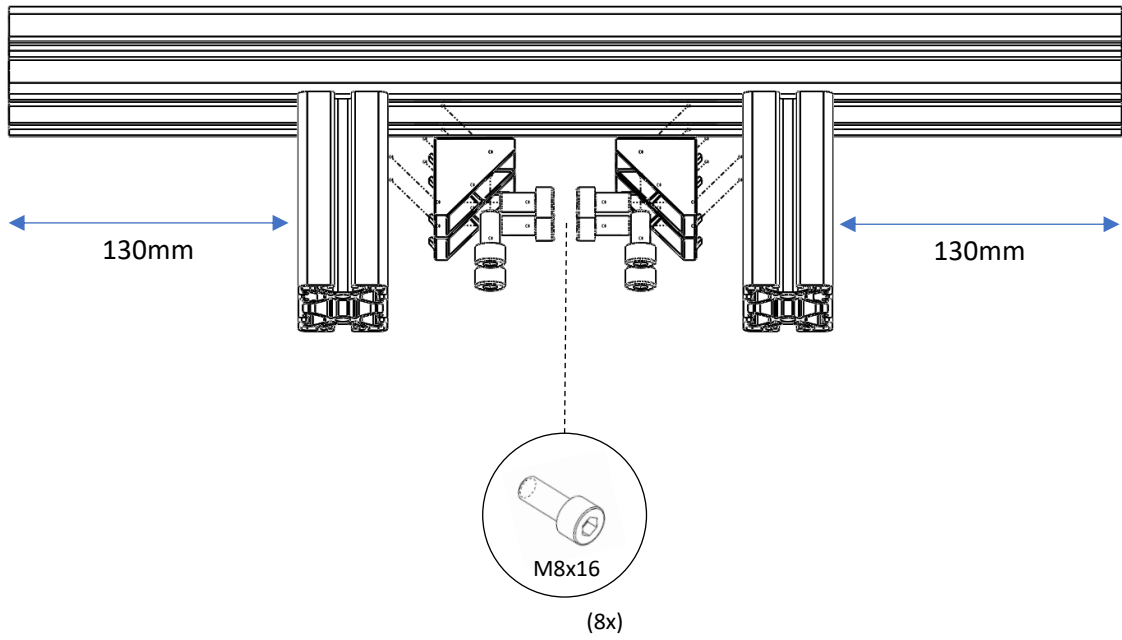
9



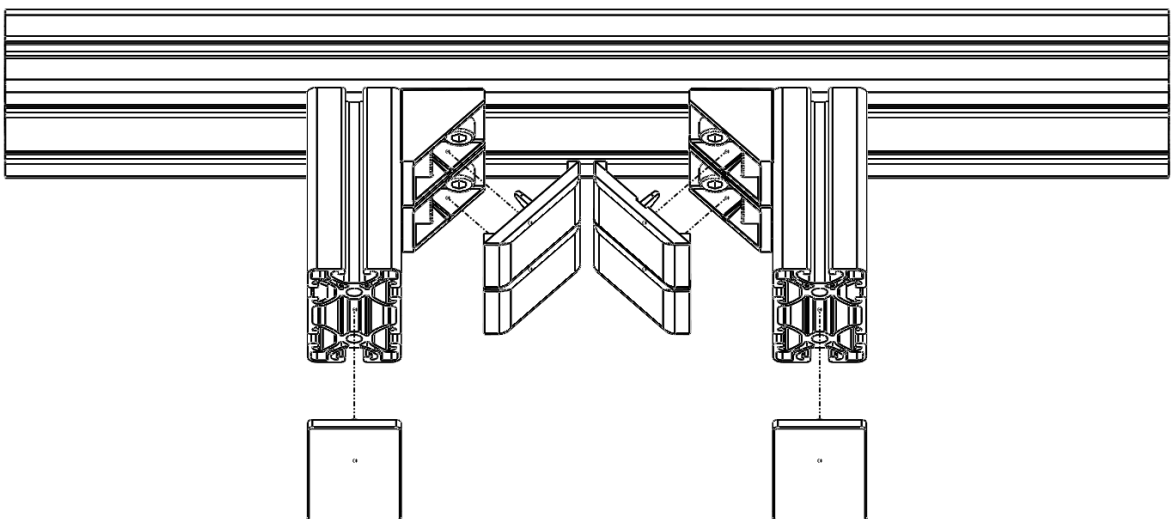
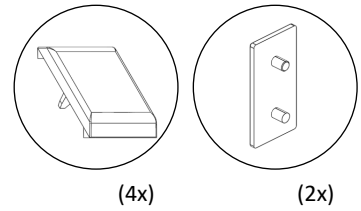
Profile 8040 L=90 (2x)



10



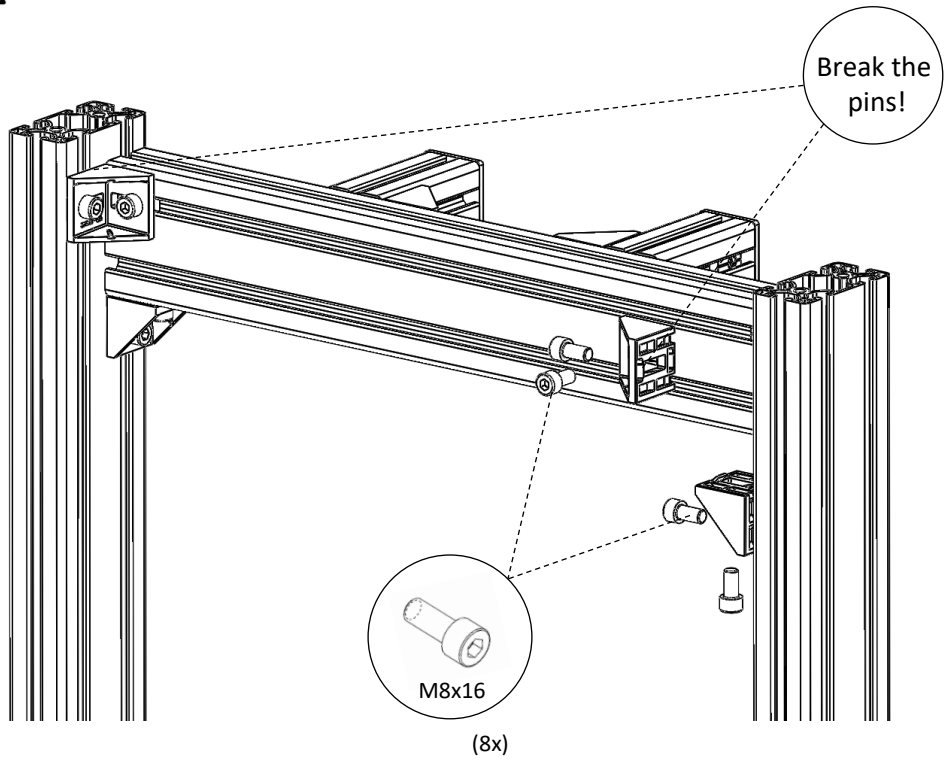
11



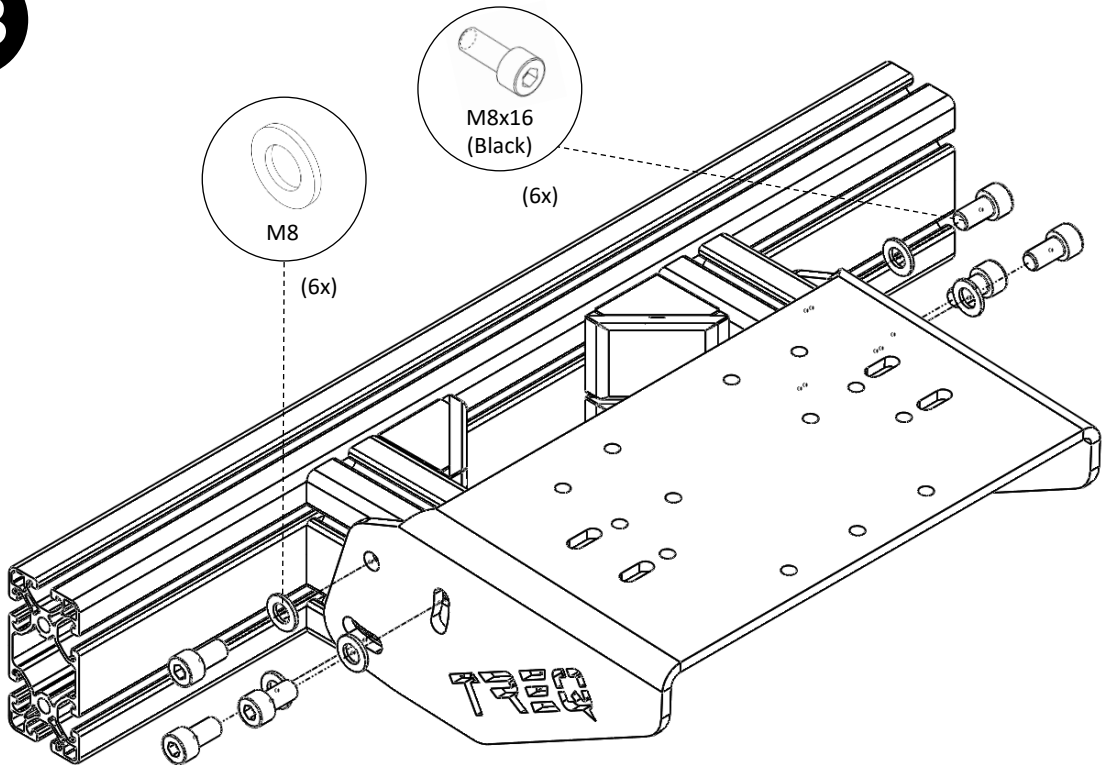
12



Assemble the Wheel Mount Assembly on the rig.

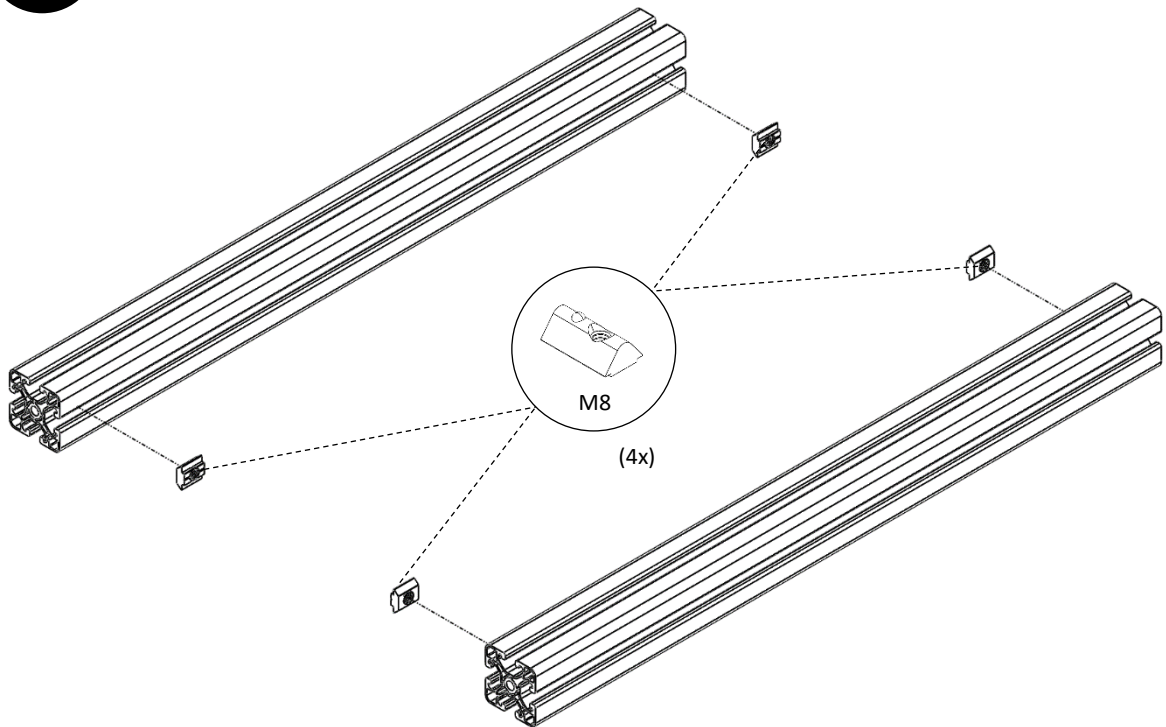


13

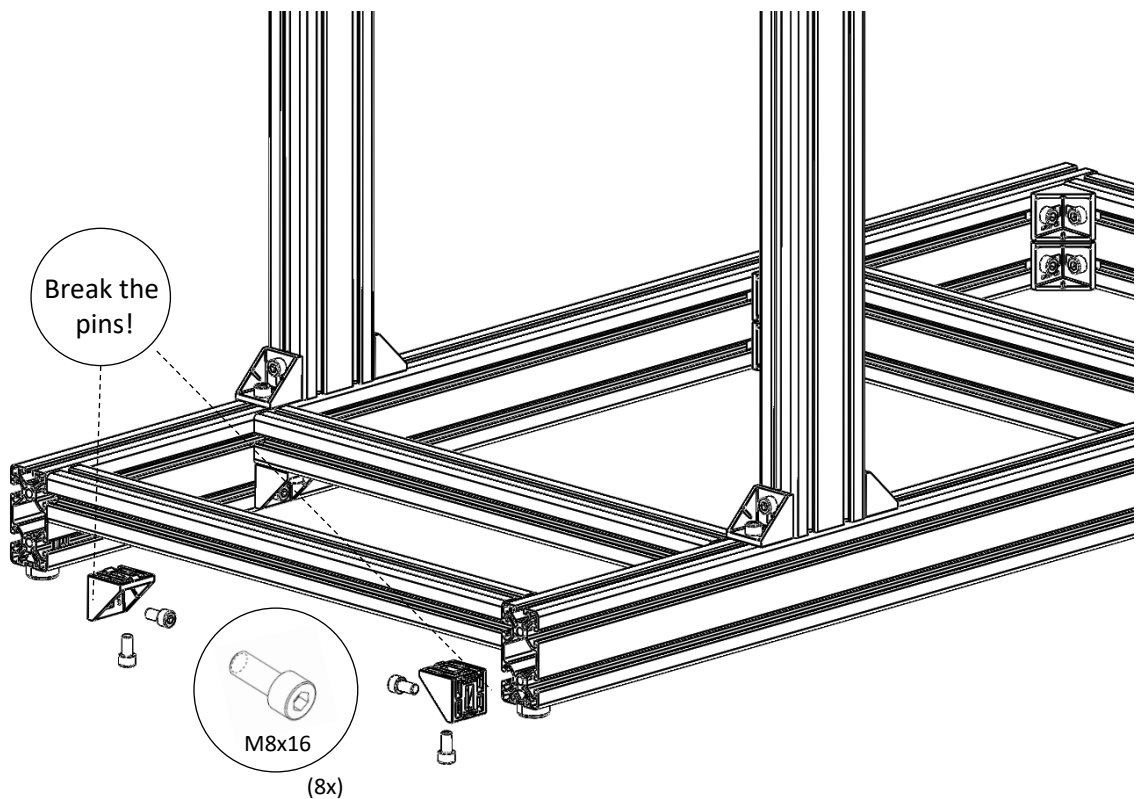


14

Profile 4040 L=500 (2x)

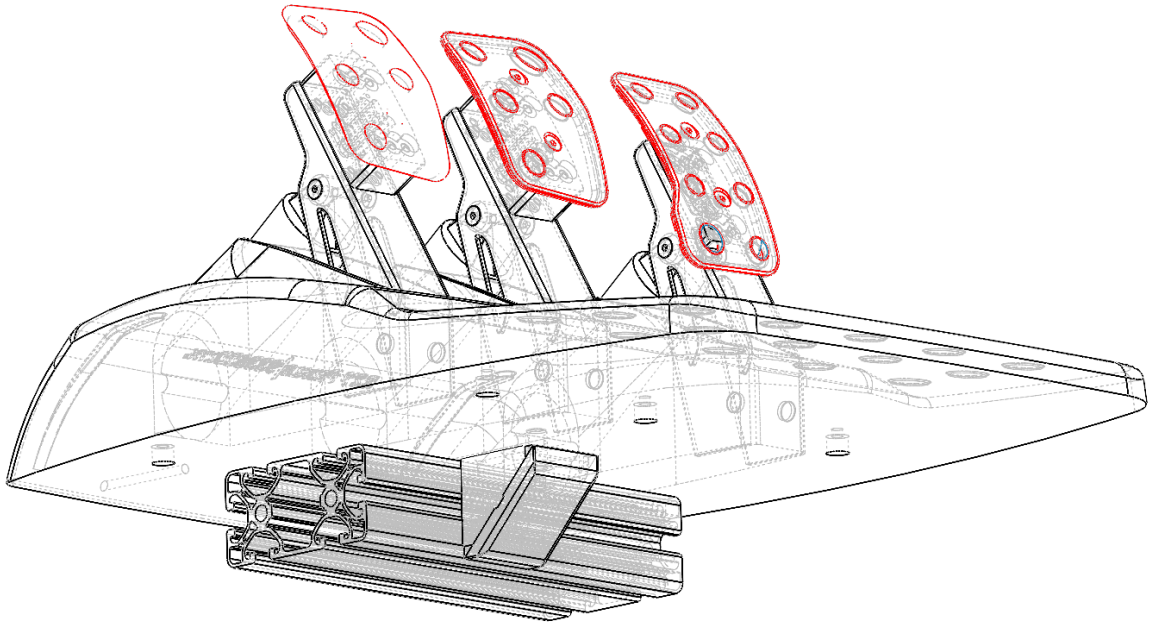
**15**

Mount the two 4040 L=500 profiles as you wish. You can place the corner brackets on top, on the side, or below the profiles (as in the example below). You can also place one profile in line with the top slot, and the other in line with the bottom slot to create a slight angle of your pedals.



16

Some pedals, like Thrustmaster or Logitech, have threaded holes on the bottom of the pedal base. To mount these type of pedals, please use the spare corner brackets. Mount 1 side to a pedaldeck-profile and the other to the pedals.



For Fanatec or Heusinkveld pedals you can use click-in-nuts and mount them 'from the top'.

19

