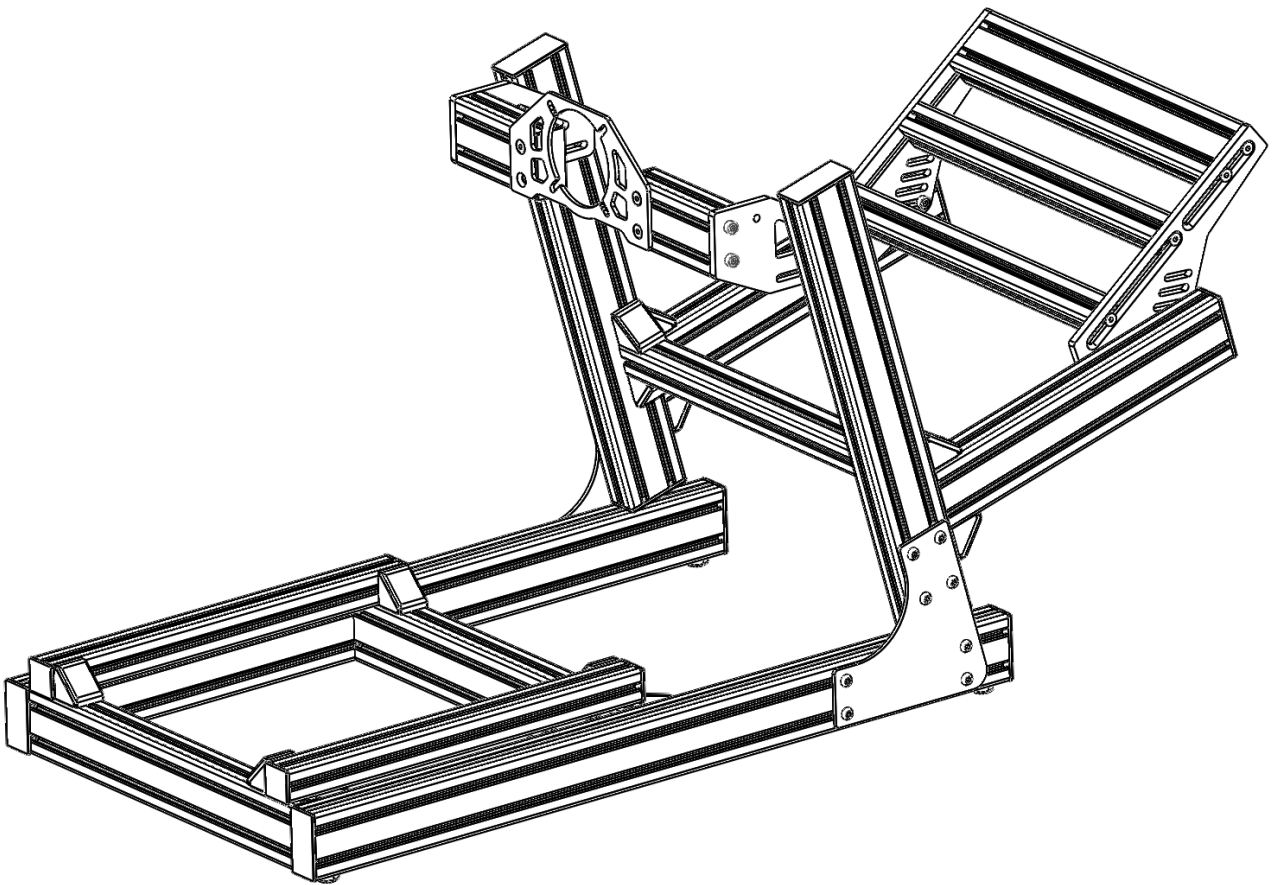


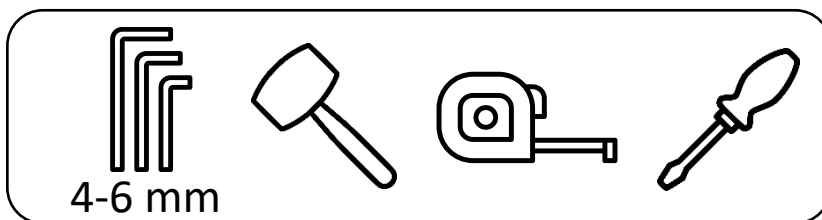
# TREQ

# FORMULA

## INSTRUCTION MANUAL

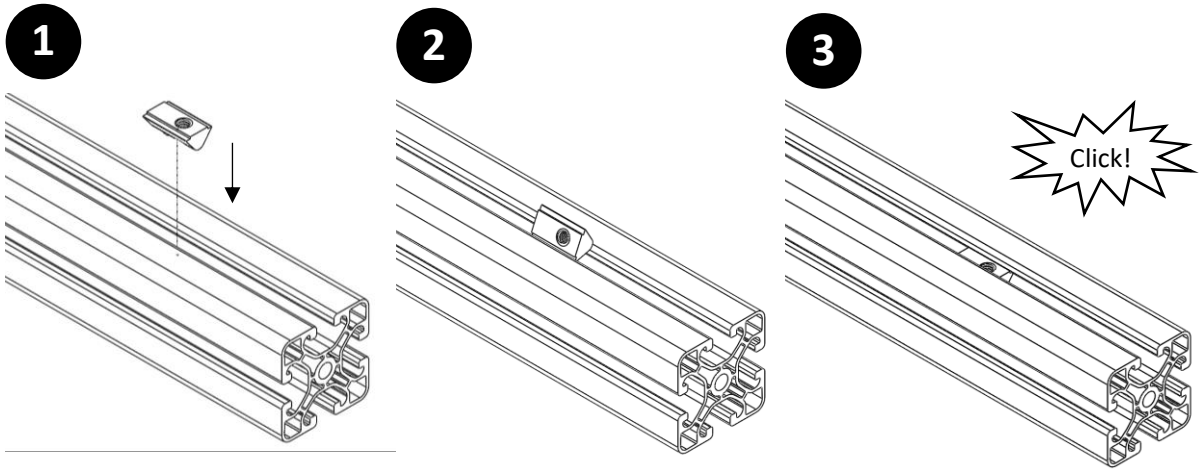


### REQUIRED TOOLS:

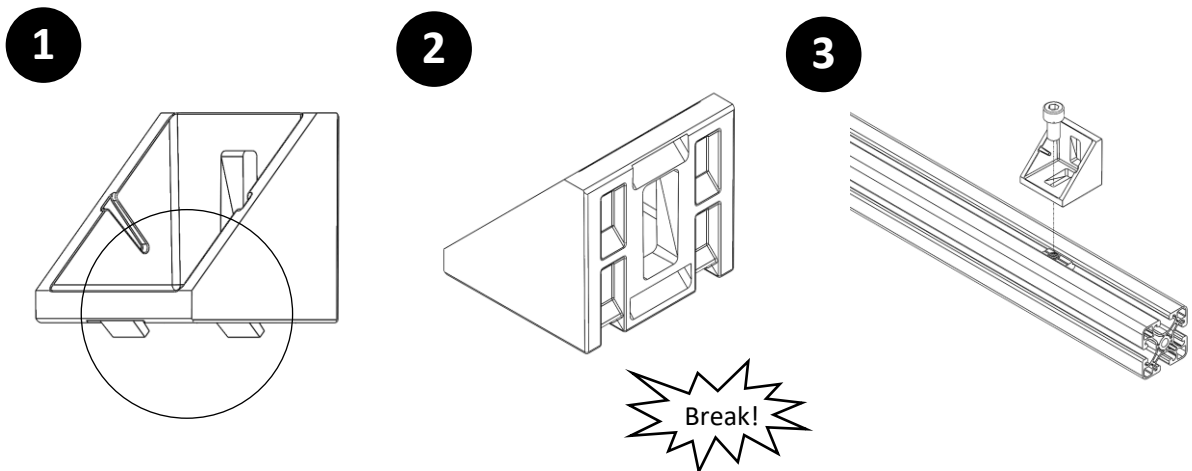


# GENERAL INSTRUCTIONS

The easiest way to mount the click-in-nuts, is to slide them in from one side of the profile. But don't worry if you need to put in a click-in-nut in a profile which has both ends already closed: it is also possible to push them in the T-slot anywhere you like!



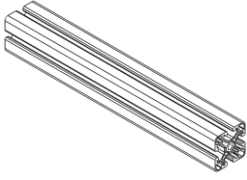
The corner brackets feature 4 little hooks to stop the bracket from rotating once it is mounted on a profile. But on some places of the rig these corner brackets are placed on a 90° angle of the T-slot. In these situations it is recommended to break off 2 of the hooks, which is easily done with a screwdriver or a pincer.



REQUIRED TOOL:

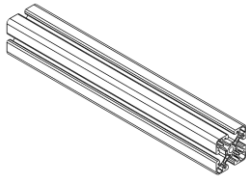


# 1



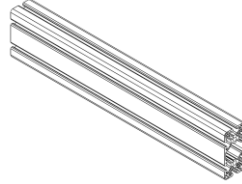
Profile 4040 L=478

2x



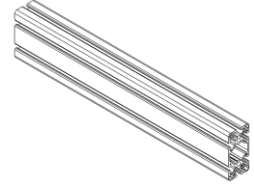
Profile 4040 L=500

3x



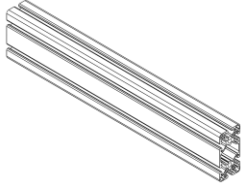
Profile 8040 L=500

2x



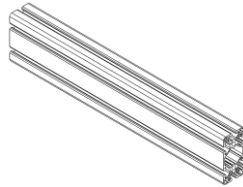
Profile 8040 L=985

2x



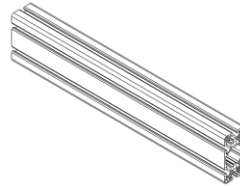
Profile 8040 L=478

1x



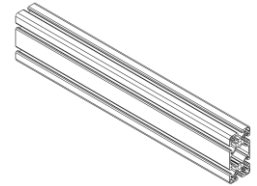
Profile 8040 L=580

2x



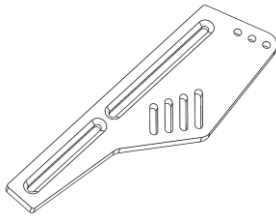
Profile 8040 L=420

2x



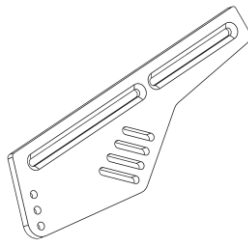
Profile 4080 L=150

2x



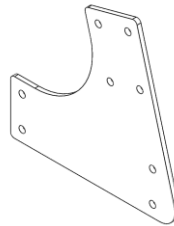
Pedal Bracket Left

1x



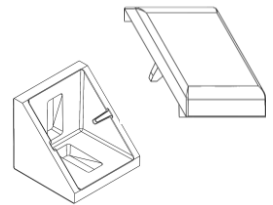
Pedal Bracket Right

1x



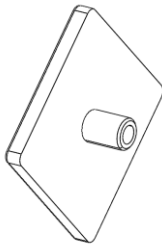
Side Plate

2x



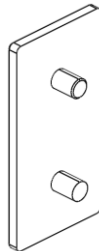
Corner Bracket

24x



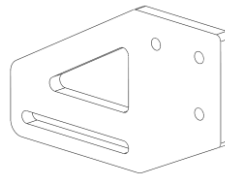
Cover 4040

4x



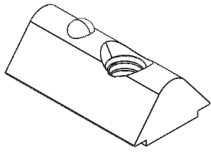
Cover 4080

10x



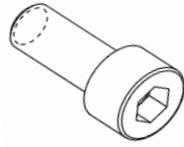
Side Bracket

2x



Click-in Nut M8

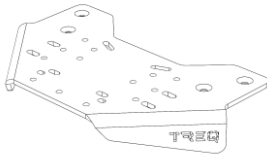
72x



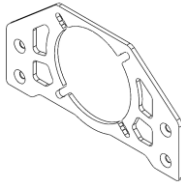
M8x16

48x

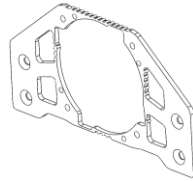
**DEPENDING ON YOUR VERSION:**



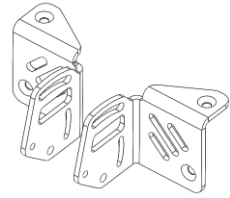
Wheel Deck



Front Mount



Asetek Mount



Side Mount

Bags with bolts, nuts and washers:

M8 BOLTS AND WASHERS	
M8x16 (Round Head) Black	16
M8x20 (Socket Head) Black	8
M8x20 (Sunken Head) Black	8
M8 Washer	8

WHEEL BASE / PEDAL MOUNTING	
M6x12 Screw	2
M6x16 (Socket Head)	4
M6x20 (Socket Head)	2
M6x25 (Socket Head)	2
M6 Washer	4
M6 T-Nut Click-in-Nut	4

RUBBER FEET	
M5x12 (Socket Head)	4
M5 T-Nut Click-in-Nut	4
Rubber Foot	4

CABLE MANAGEMENT	
M4x12 Screw	5
M4 T-Nut Click-in-Nut	5
Cable Binder	5



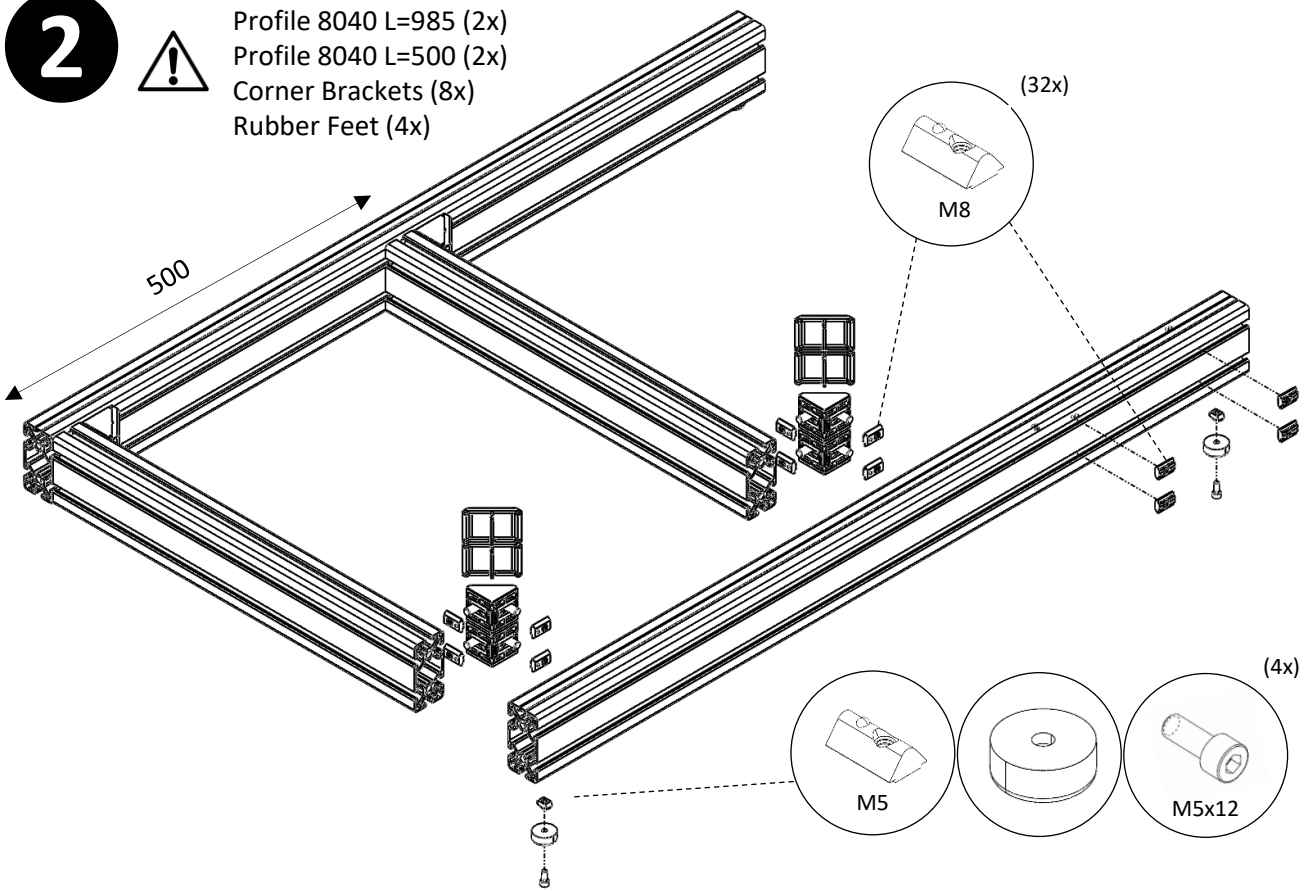
You can use these on any place you like. Either inside the profile slot (just turn the bolt through the tape), or by pasting them.

WHEEL MOUNTING	
M8x16 (Sunken Head)	4
M8 T-Nut Click-in-Nut	4
Wheel mount option specific set of bolts.	1

2



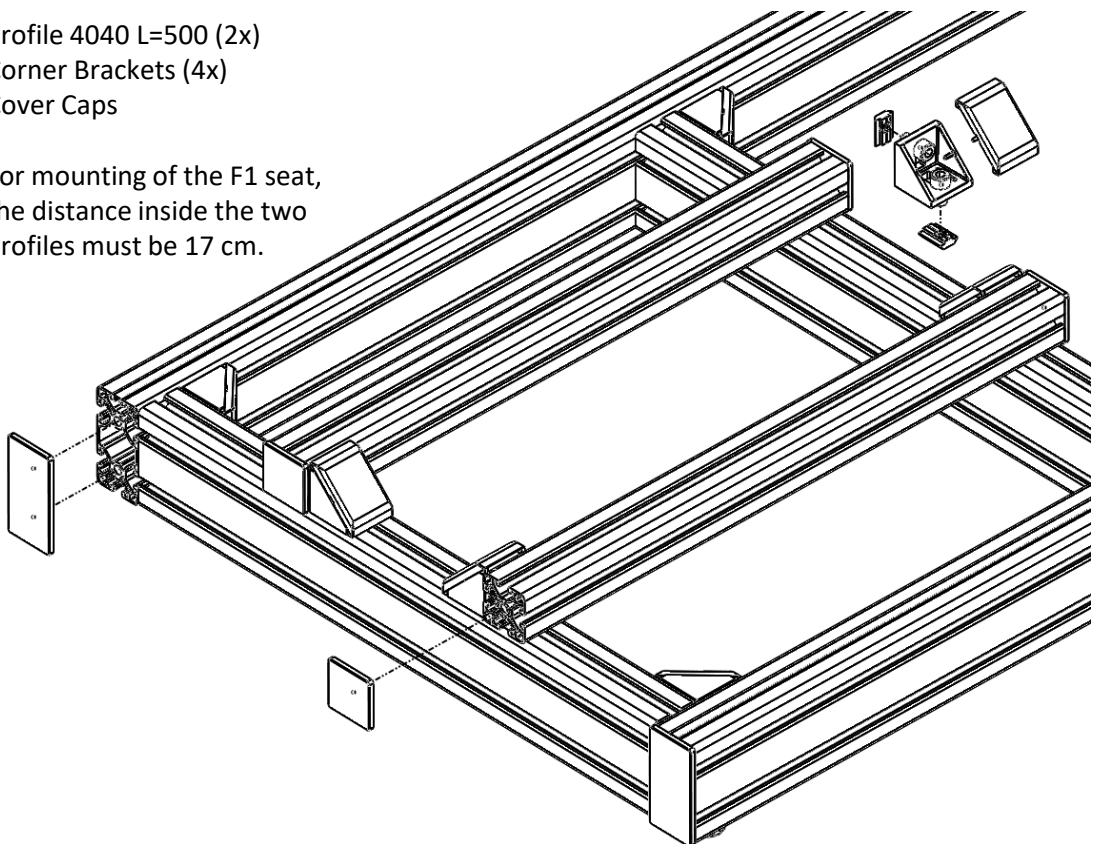
Profile 8040 L=985 (2x)  
Profile 8040 L=500 (2x)  
Corner Brackets (8x)  
Rubber Feet (4x)



3

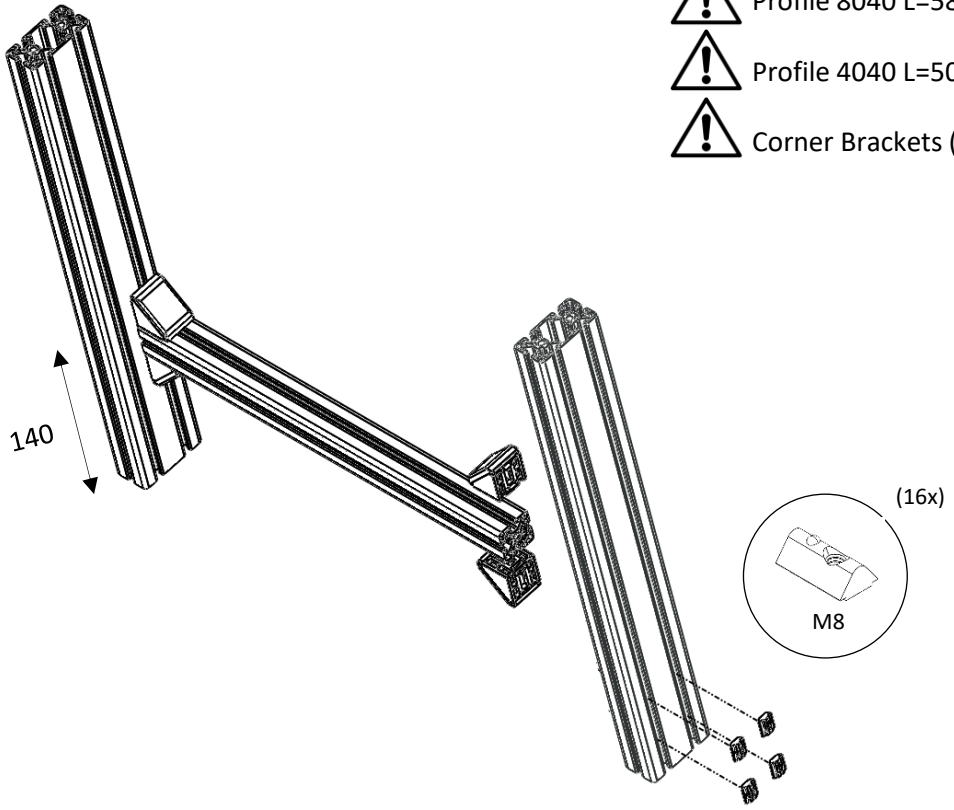
Profile 4040 L=500 (2x)  
Corner Brackets (4x)  
Cover Caps

For mounting of the F1 seat,  
the distance inside the two  
profiles must be 17 cm.

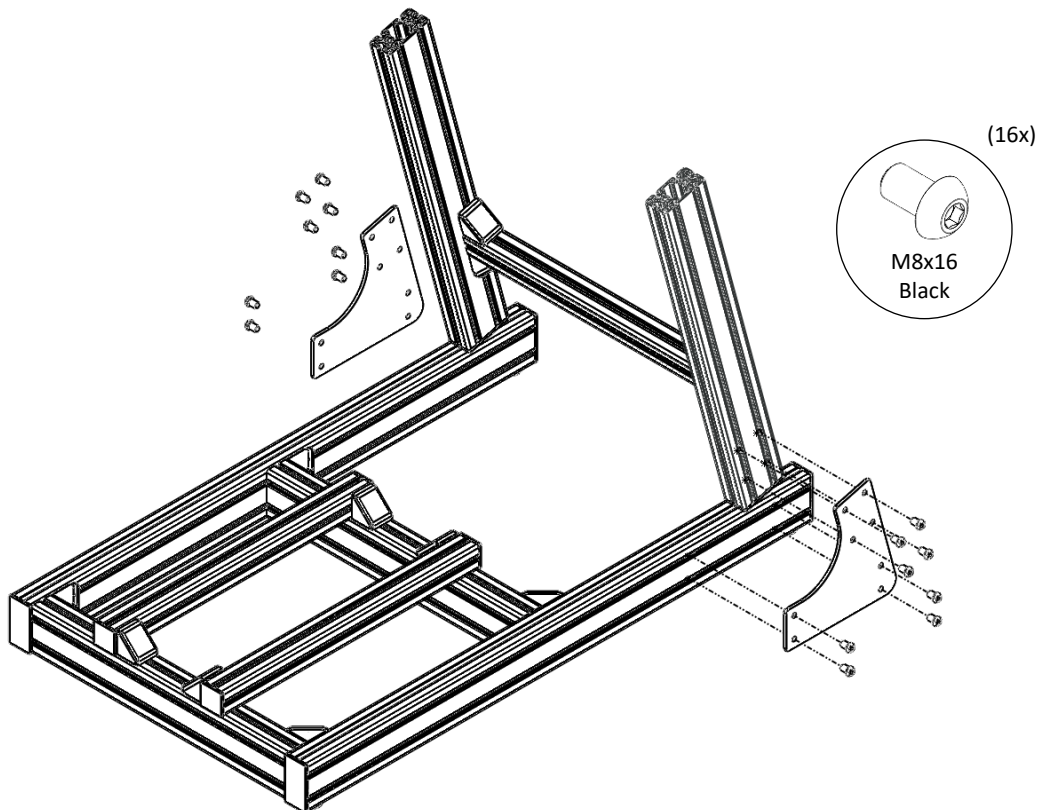


4

- ⚠ Profile 8040 L=580 (2x)
- ⚠ Profile 4040 L=500 (1x)
- ⚠ Corner Brackets (4x)



5



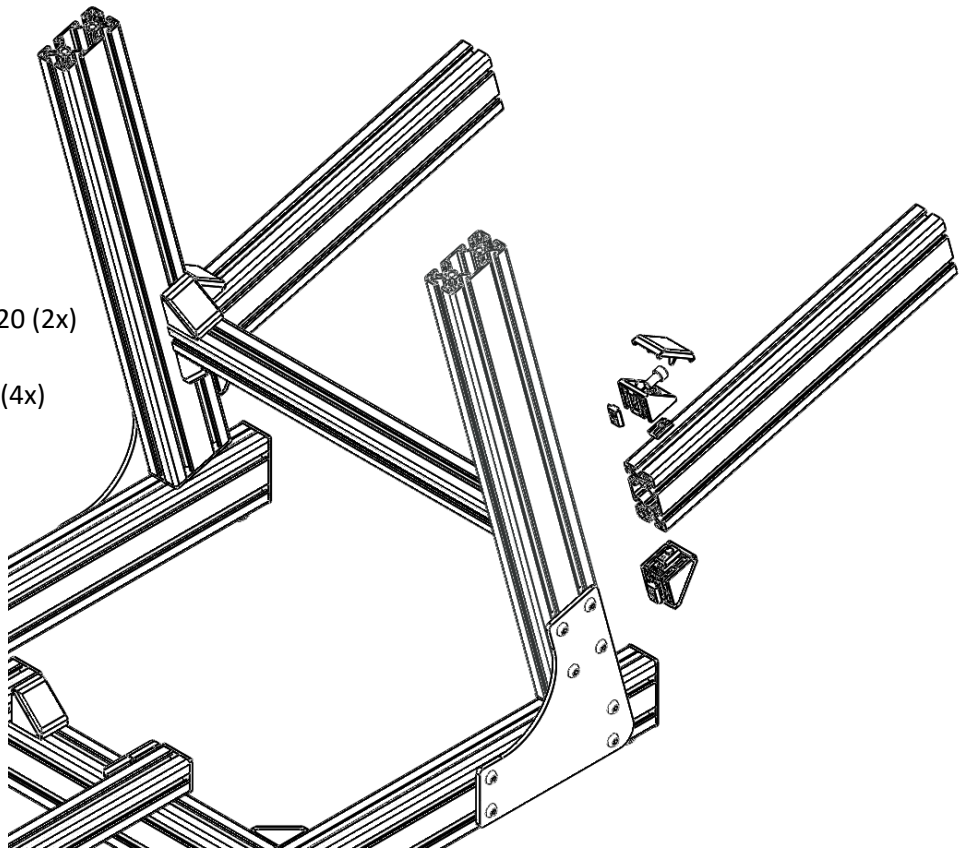
6



Profile 8040 L=420 (2x)



Corner Brackets (4x)



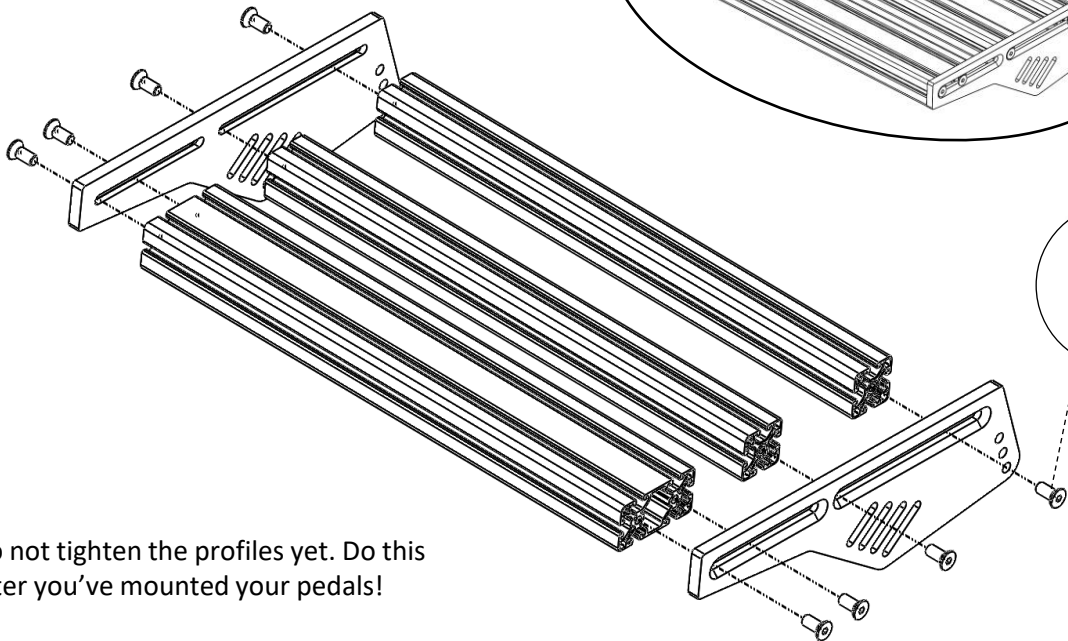
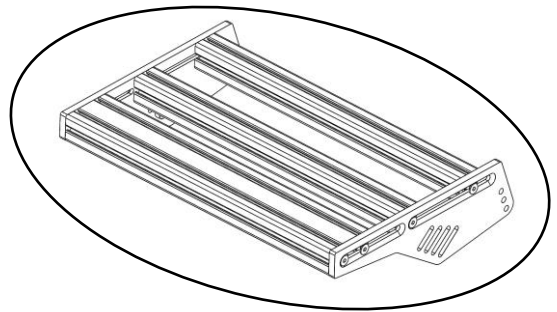
7



Assembly of Pedal Bracket

Profile 8040 L=478 (1x)

Profile 4040 L=478 (2x)



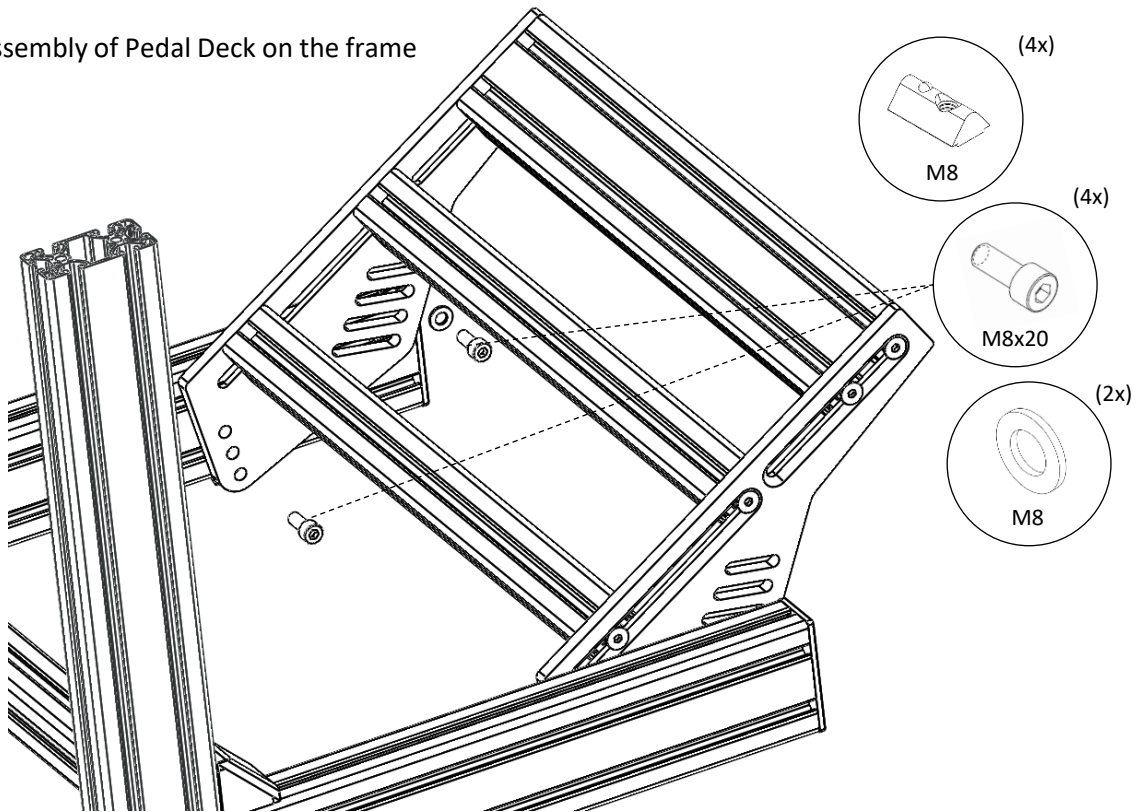
M8x20  
(Black)

(8x)

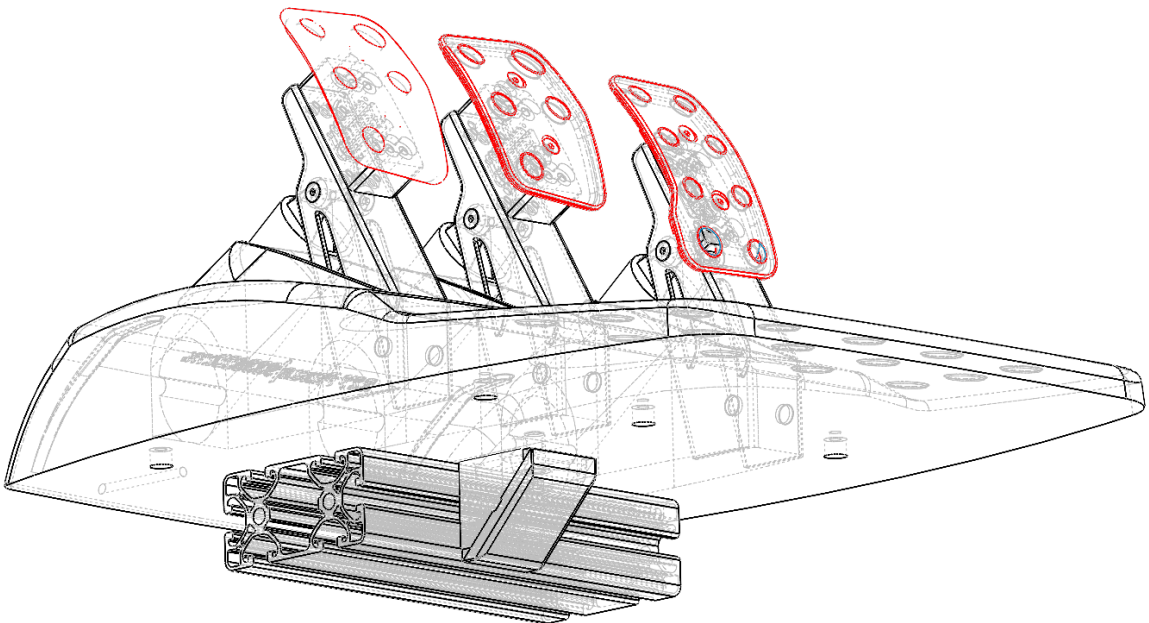
Do not tighten the profiles yet. Do this after you've mounted your pedals!

**8**

## Assembly of Pedal Deck on the frame



**OPTIONAL:** Some pedals, like Thrustmaster or Logitech, have threaded holes on the bottom of the pedal base. To mount these type of pedals, please use the spare corner brackets. Mount 1 side to a pedaldeck-profile and the other to the pedals.

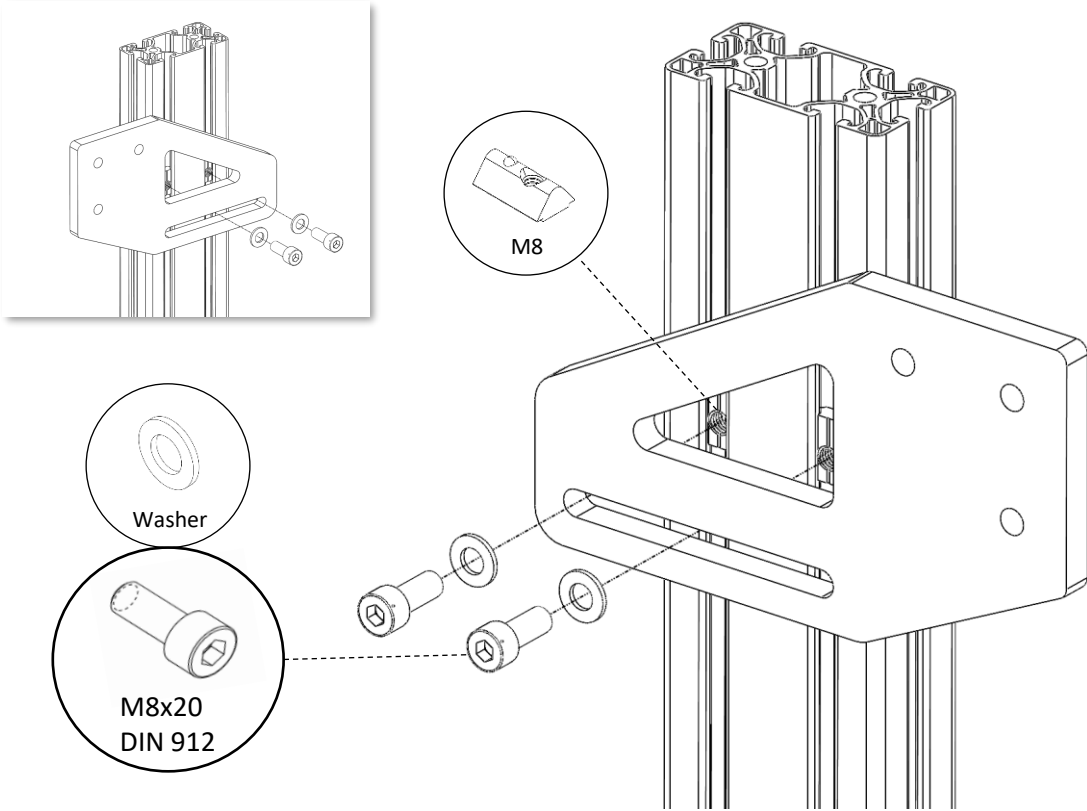


For Fanatec or Heusinkveld pedals you can use click-in-nuts and mount them 'from the top'.



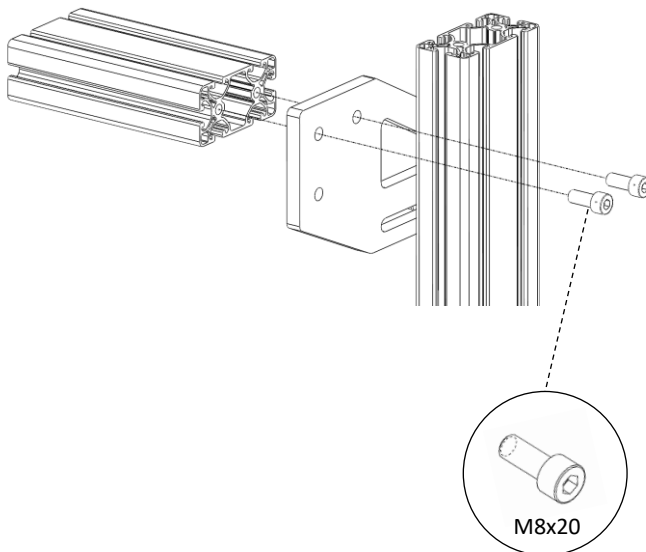
9

Mount both 'Side Brackets' to the upright profiles of your rig.



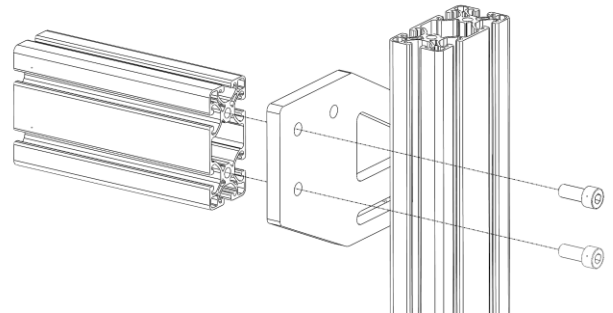
10a

Mount the 150 profiles like this for the Wheel Deck.



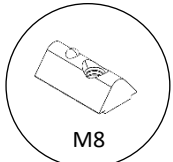
10b

Mount the 150 profiles like this for the Front and Side Mount.

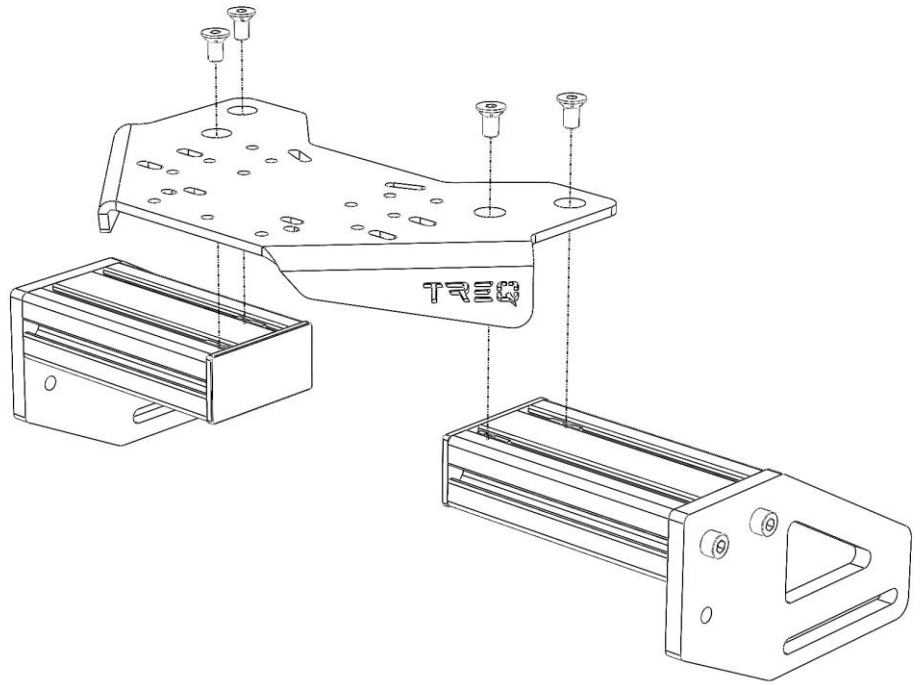


# 11a

## Wheel Deck

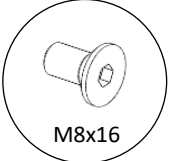
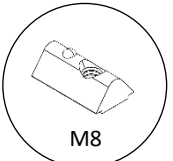


(4x)

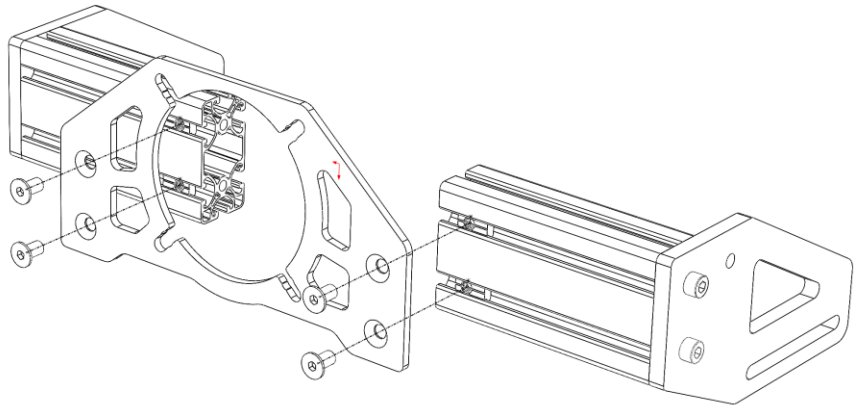


# 11b

## (Asetek) Front Mount

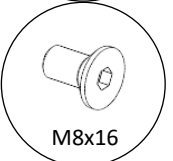
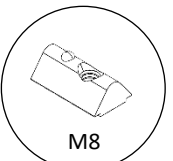


(4x)

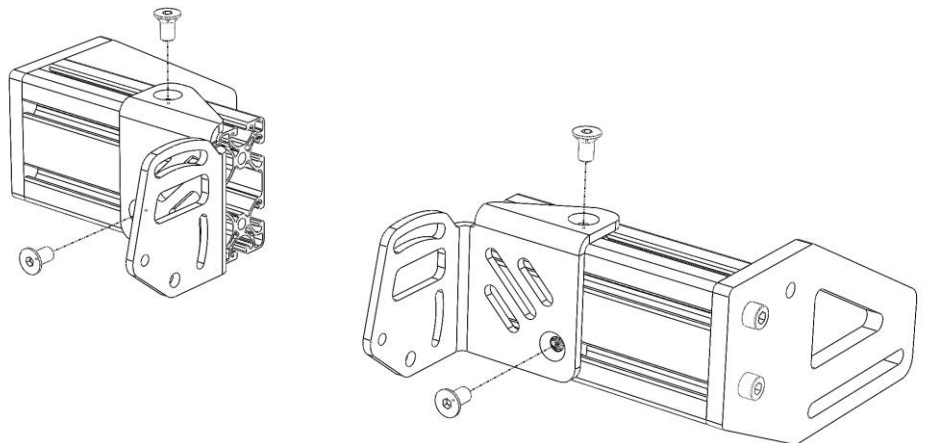


# 11c

## Side Mount



(4x)



10

Add all missing corner bracket- and profile covers.

Your TREQ Formula Rig is done!

