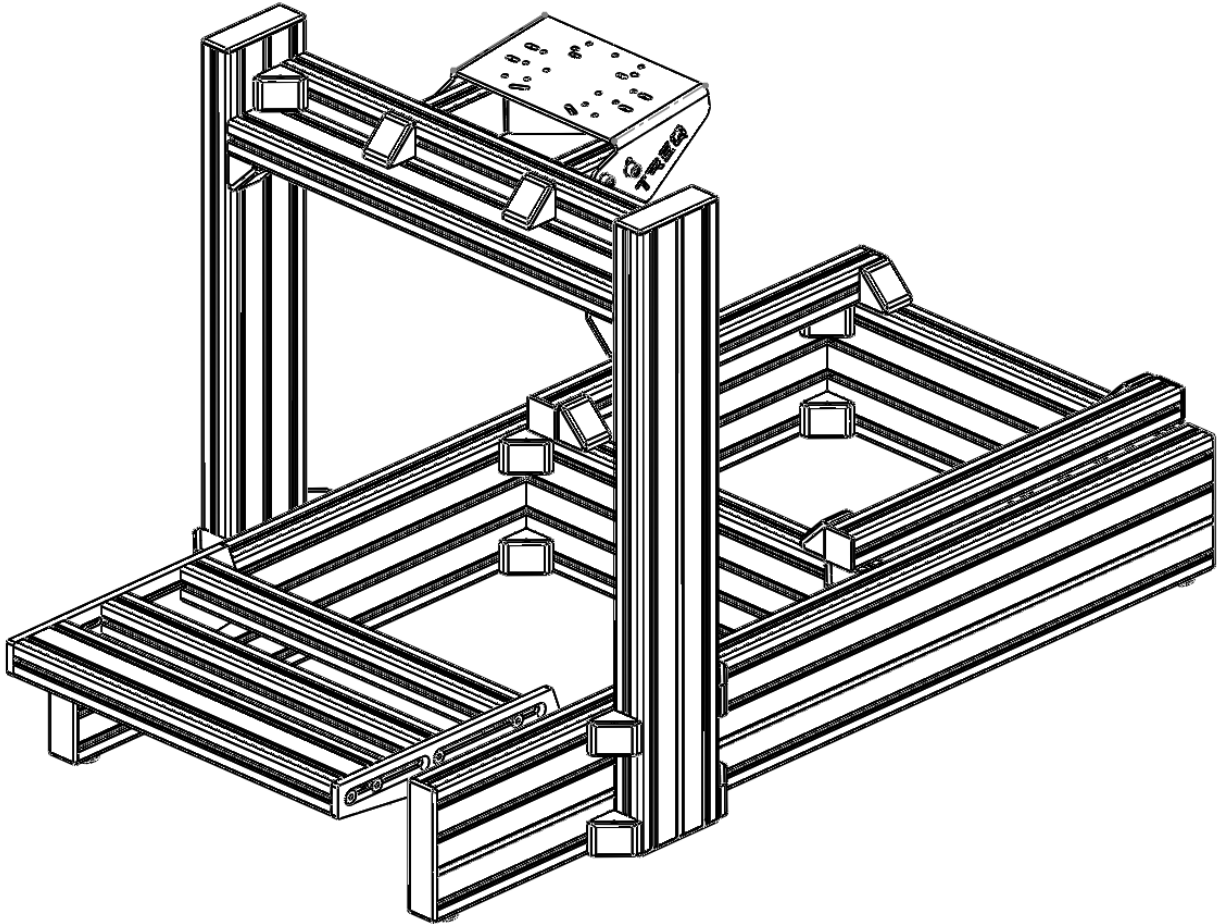


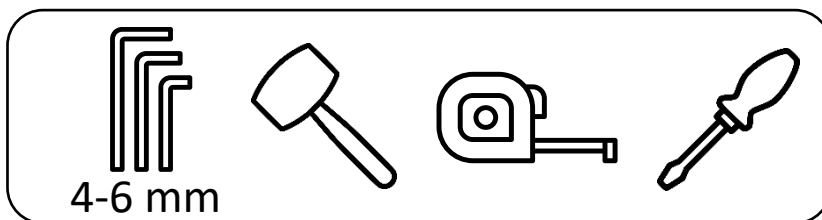
TREQ ACE

INSTRUCTION MANUAL

The setup of your rig is very dependent on body type, personal seating preferences and the equipment you own, but to give you a head start, we included a setup scheme on the last page.

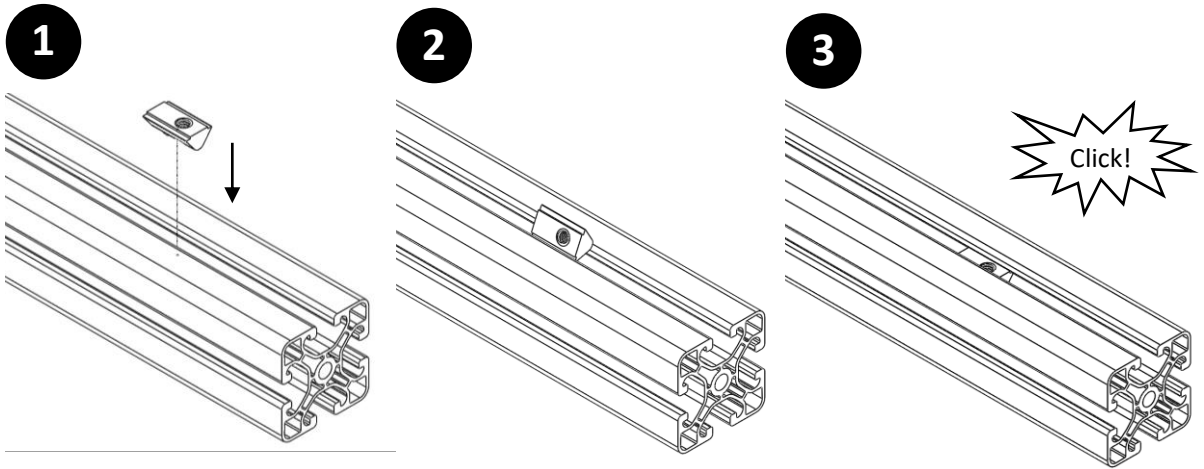


REQUIRED TOOLS:

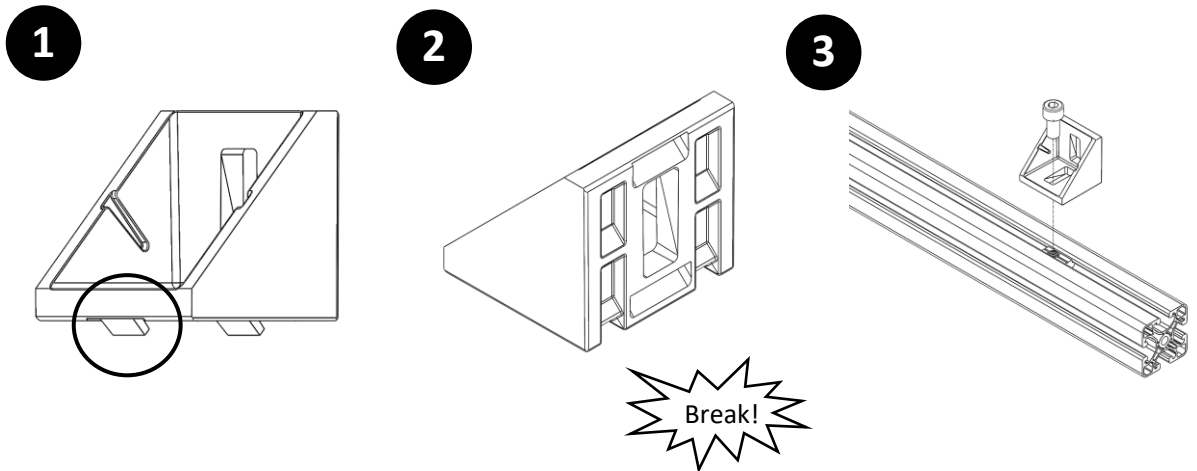


GENERAL INSTRUCTIONS

The easiest way to mount the click-in-nuts, is to slide them in from one side of the profile. But don't worry if you need to put in a click-in-nut in a profile which has both ends already closed: it is also possible to push them in the T-slot anywhere you like!



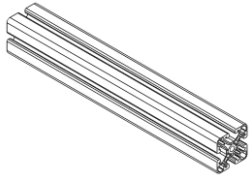
The corner brackets feature 4 little hooks to stop the bracket from rotating once it is mounted on a profile. But on some places of the rig these corner brackets are placed on a 90° angle of the T-slot. In these situations it is recommended to break off 2 of the hooks, which is easily done with a screwdriver.



REQUIRED TOOL:

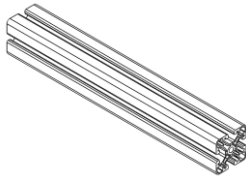


1



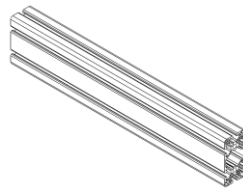
Profile 4040 L=478

2x



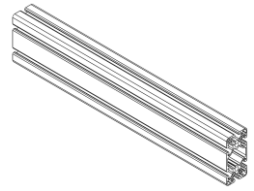
Profile 4040 L=500

2x



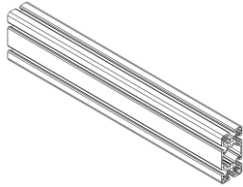
Profile 8040 L=90

2x



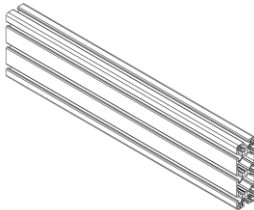
Profile 8040 L=580

2x



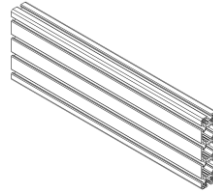
Profile 8040 L=478

1x



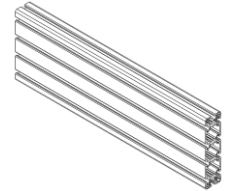
Profile 12040 L=740

2x



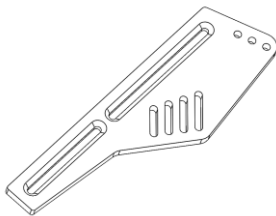
Profile 16040 L=500

2x



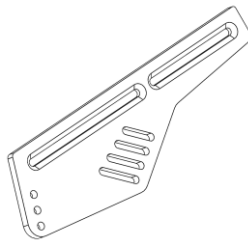
Profile 16040 L=1170

2x



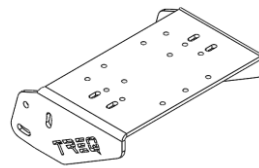
Pedal Bracket Left

1x



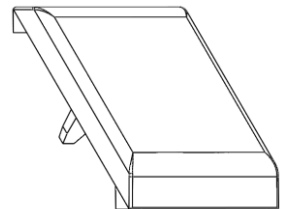
Pedal Bracket Right

1x



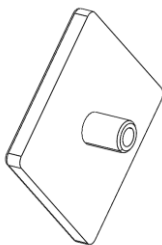
Wheel Mount Bracket

1x



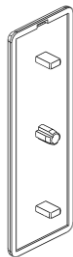
Corner Cover 4040

36x



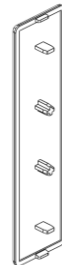
Cover 4040

4x



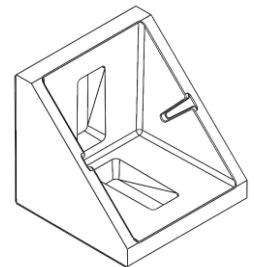
Cover 12080

4x



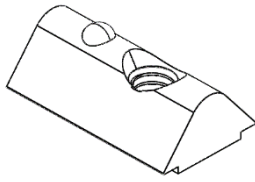
Cover 16080

4x



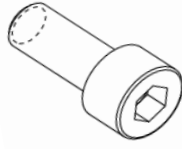
Corner 4040

36x



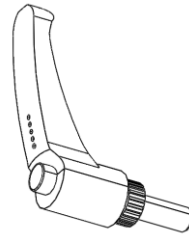
Click-in Nut M8

78x



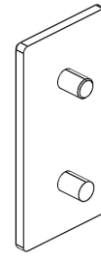
M8x16

68x



Clamp M8x20

4x



Cover 4080

2x

Bags with bolts, nuts and washers:

M8 BOLTS AND WASHERS	
M8x16 (Socket Head) Black	6
M8x20 (Socket Head) Black	4
M8x20 (Sunken Head) Black	8
M8 Washer	10

WHEEL BASE / PEDAL MOUNTING	
M6x12 Screw	2
M6x16 (Socket Head)	7
M6x20 (Socket Head)	2
M6x25 (Socket Head)	2
M6 Washer	4
M6 T-Nut Click-in-Nut	4

RUBBER FEET	
M5x12 (Socket Head)	4
M5 T-Nut Click-in-Nut	4
Rubber Foot	4

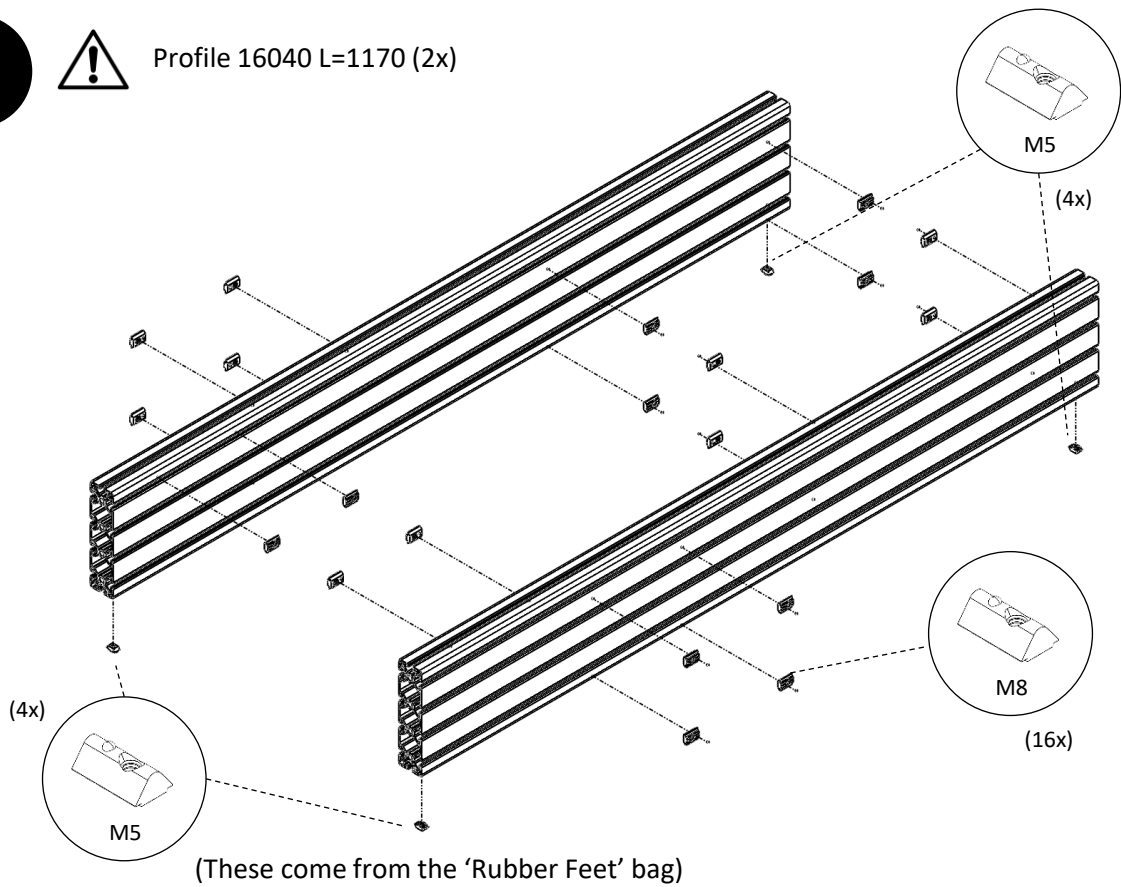
CABLE MANAGEMENT	
M4x12 Screw	5
M4 T-Nut Click-in-Nut	5
Cable Binder	5

You can use these on any place you like. Either inside the profile slot (just turn the bolt through the tape), or by pasting them.

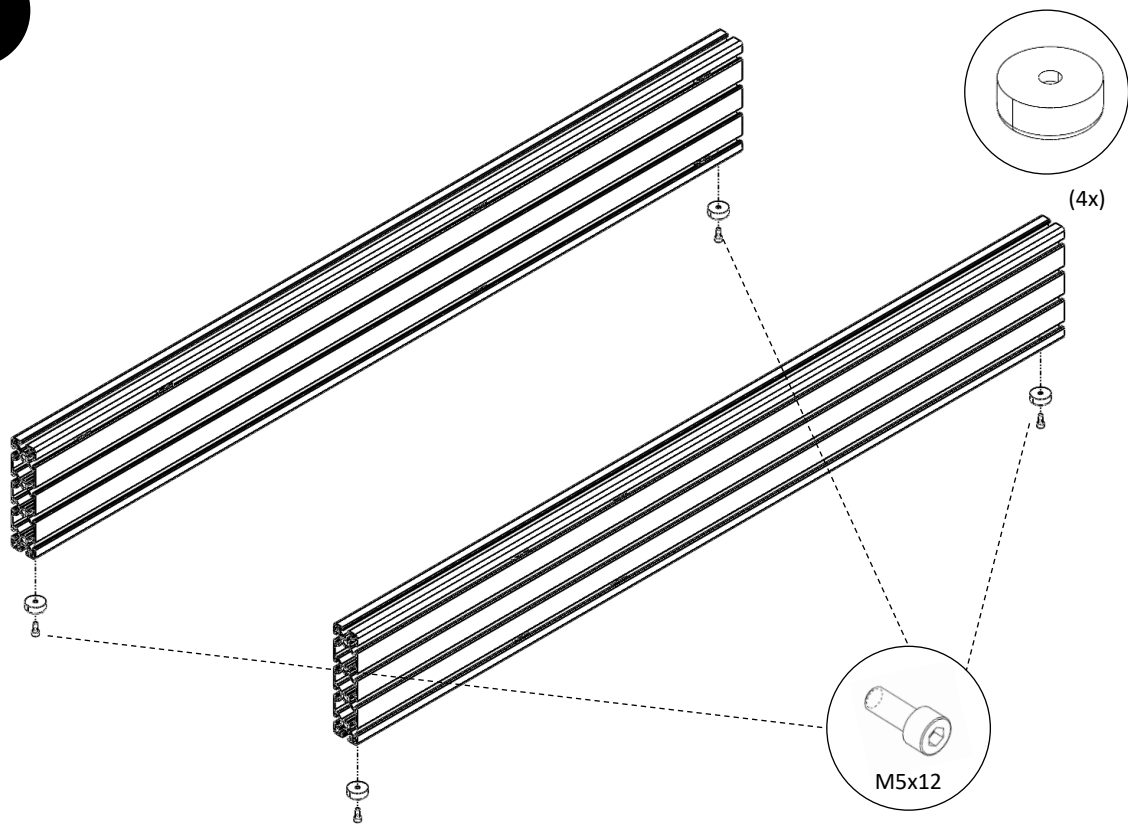
2



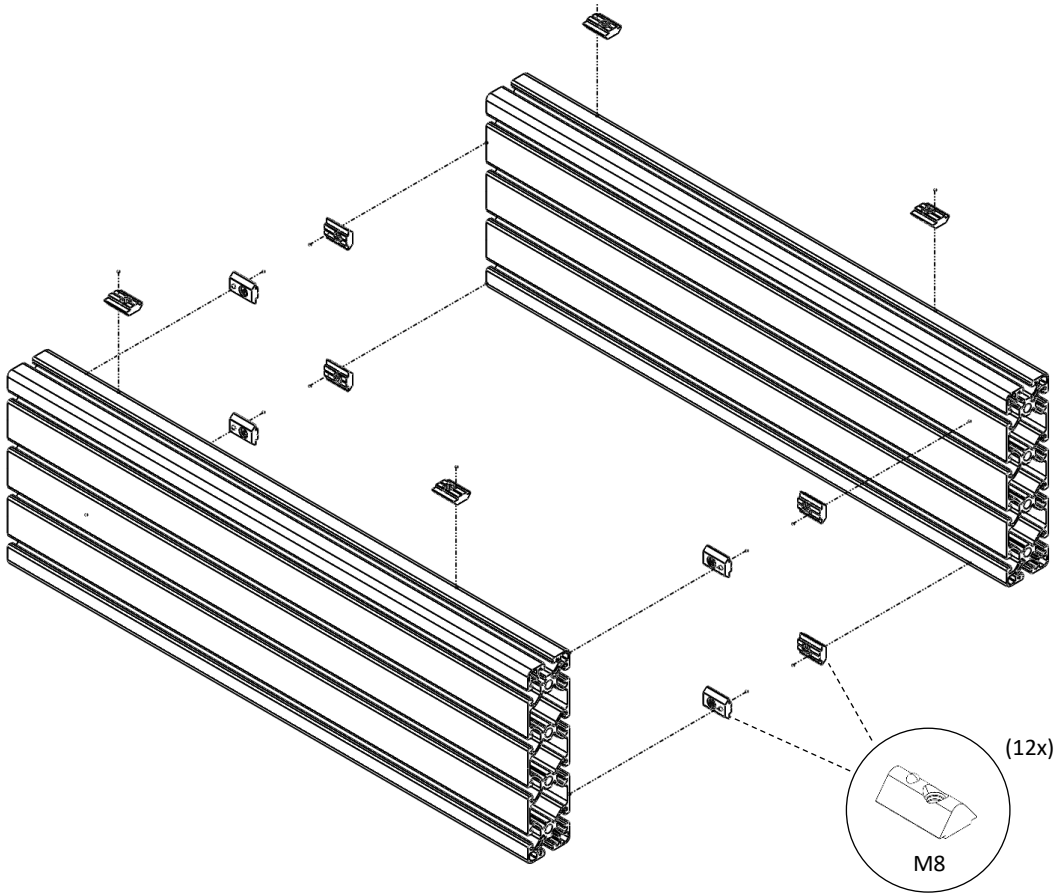
Profile 16040 L=1170 (2x)



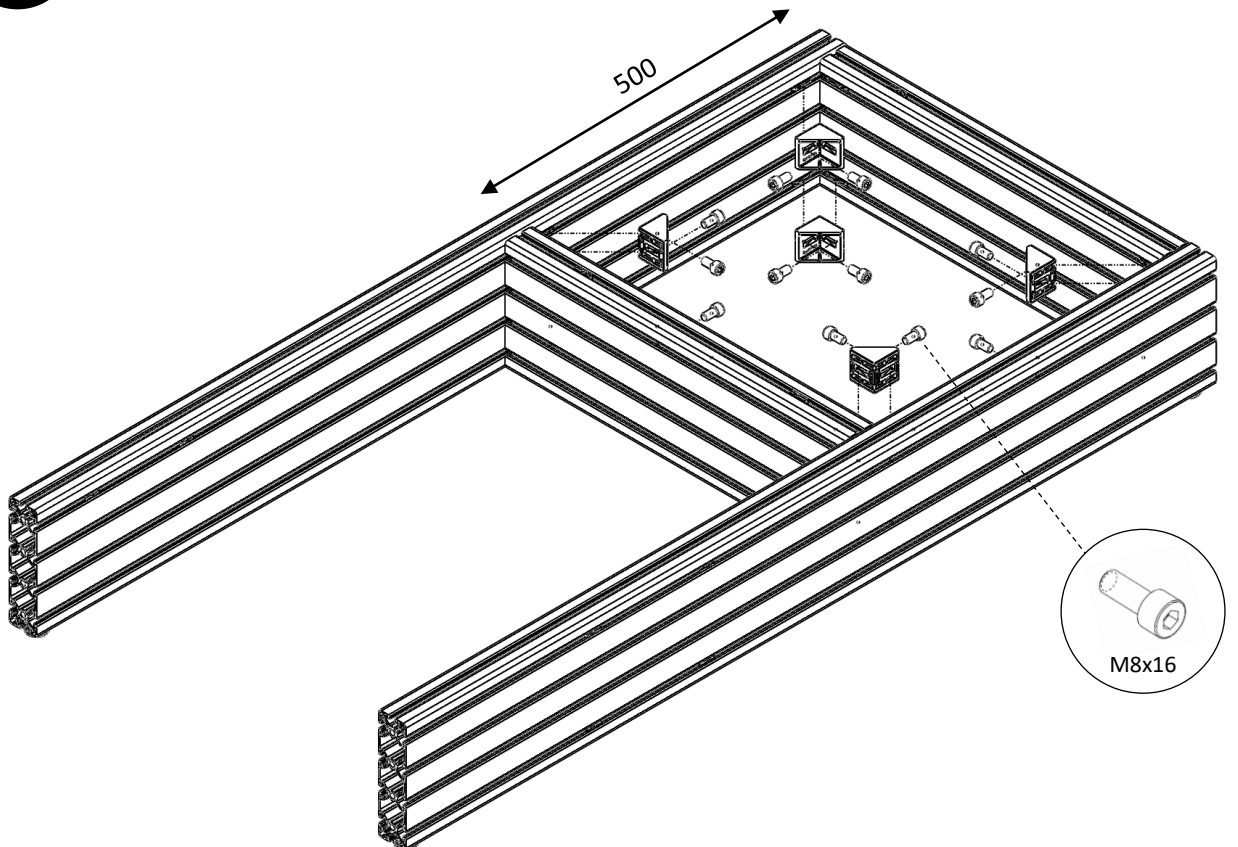
3



3



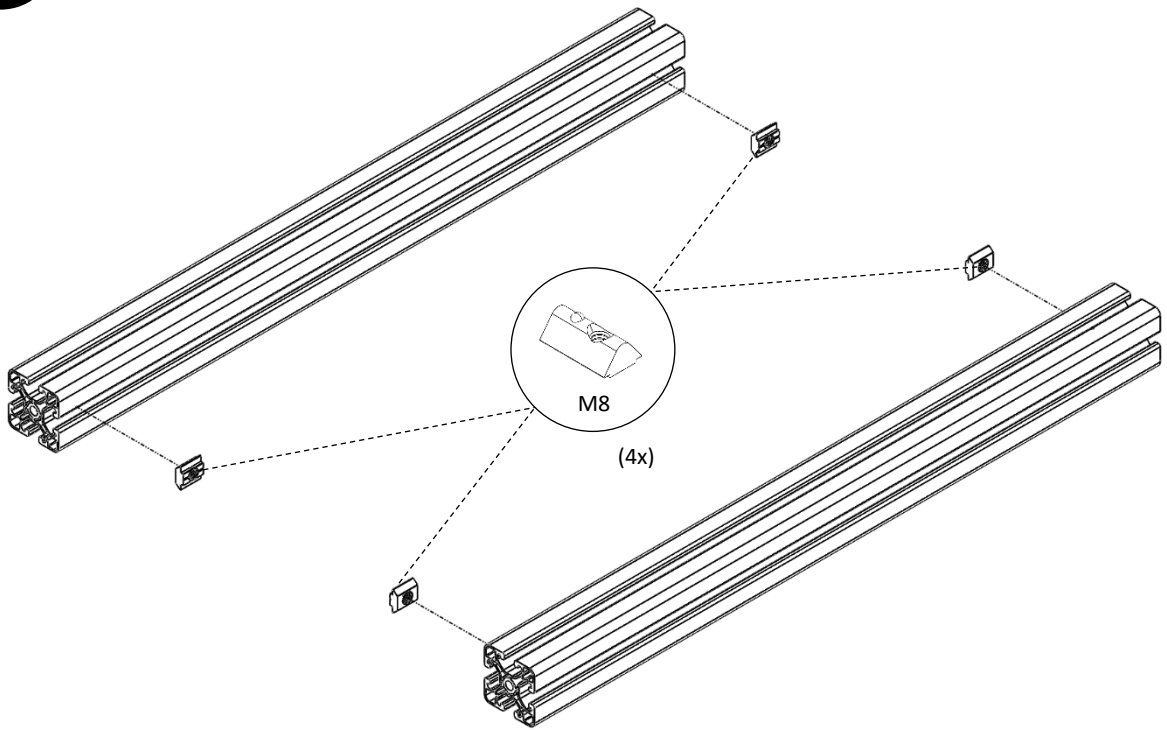
4



5

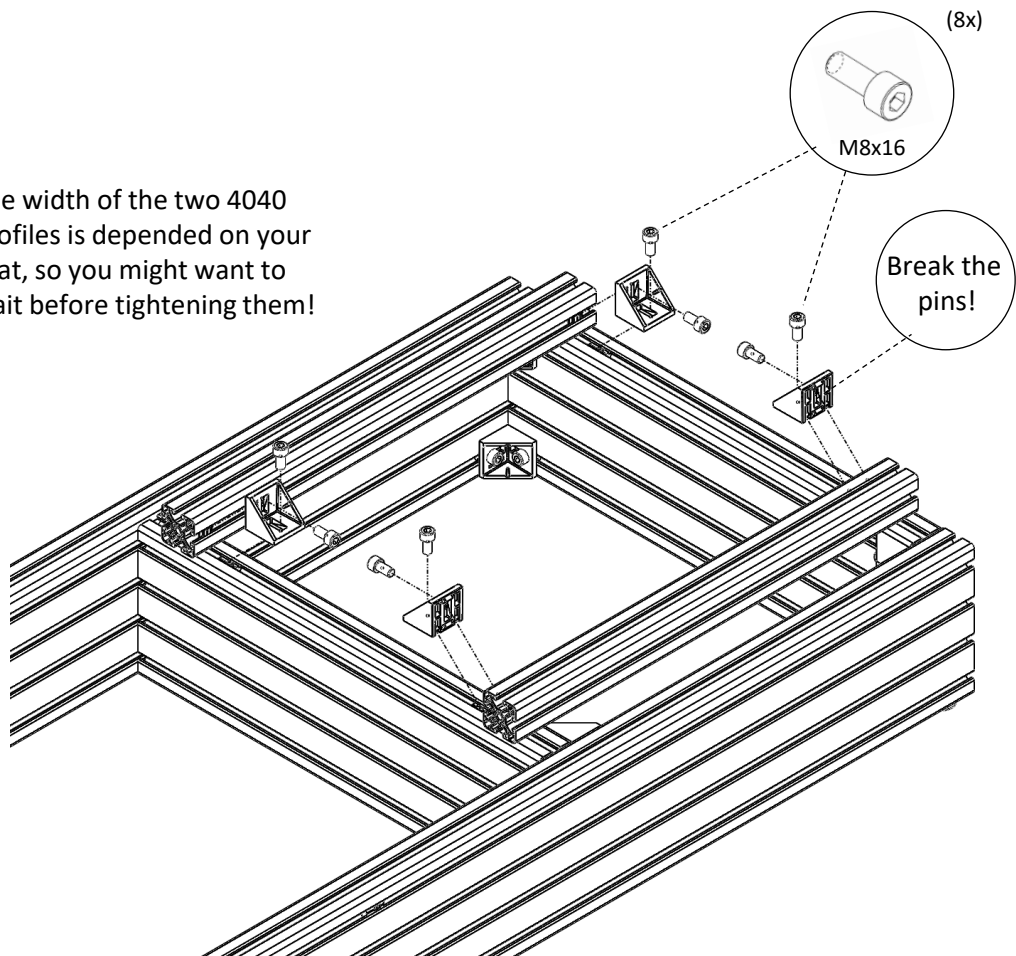


Profile 4040 L=500 (2x)



6

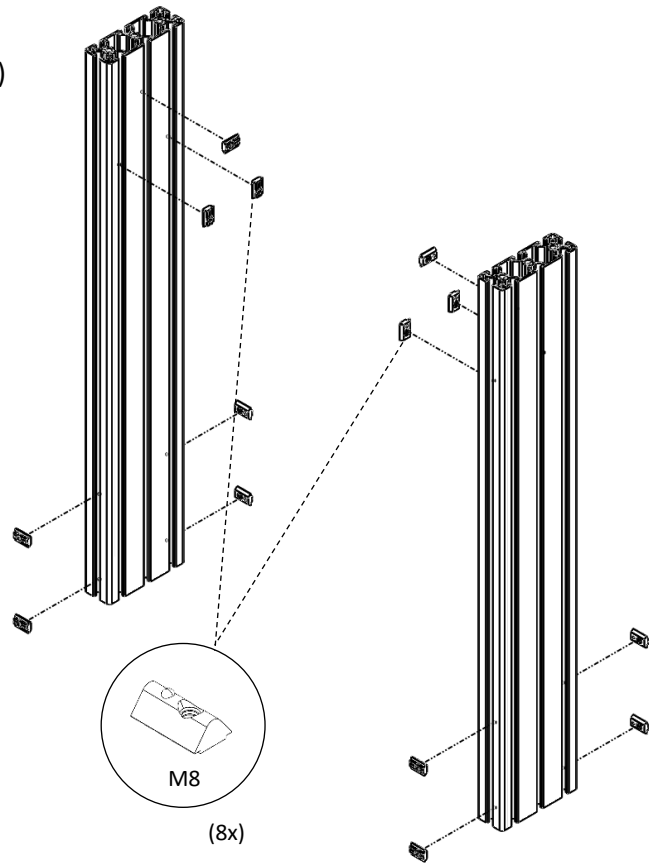
The width of the two 4040 profiles is depended on your seat, so you might want to wait before tightening them!



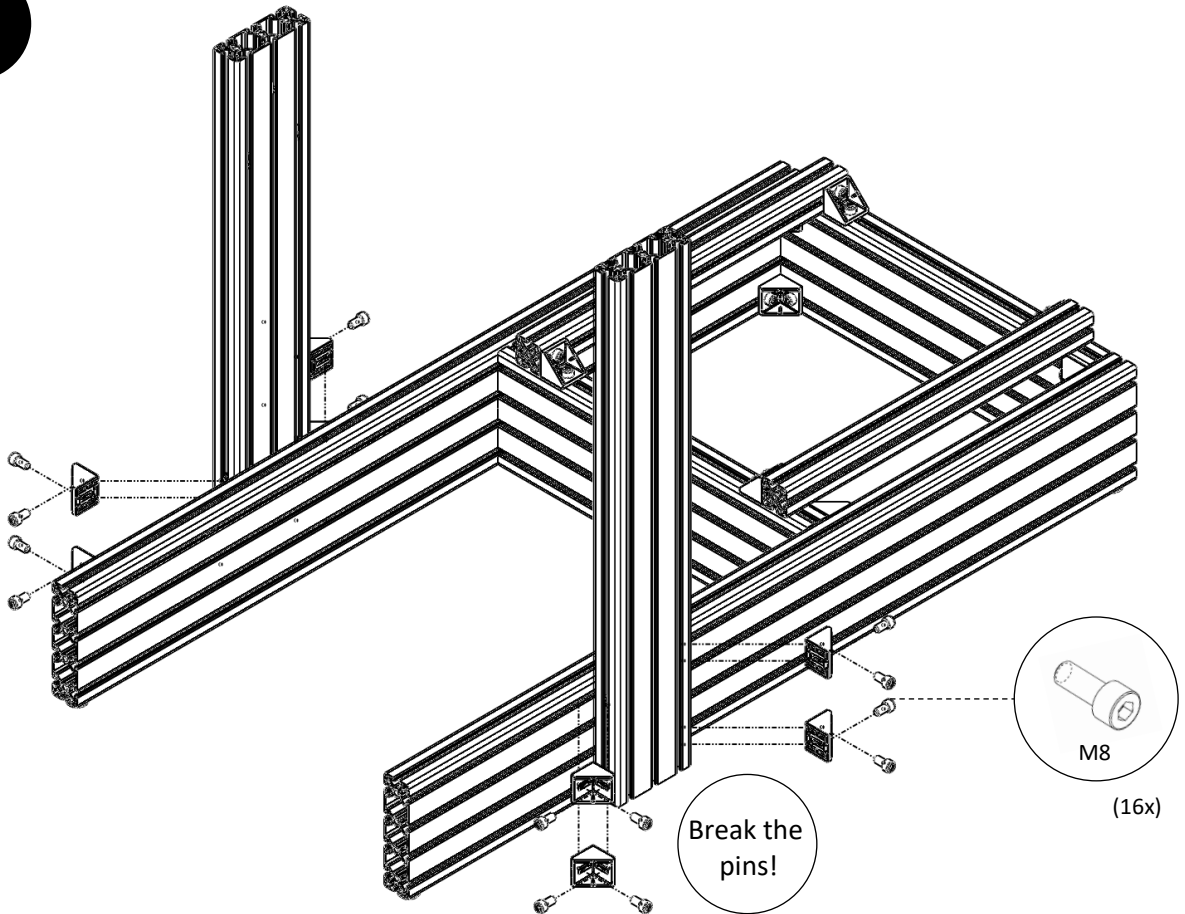
7



Profile 12040 L=740 (2x)



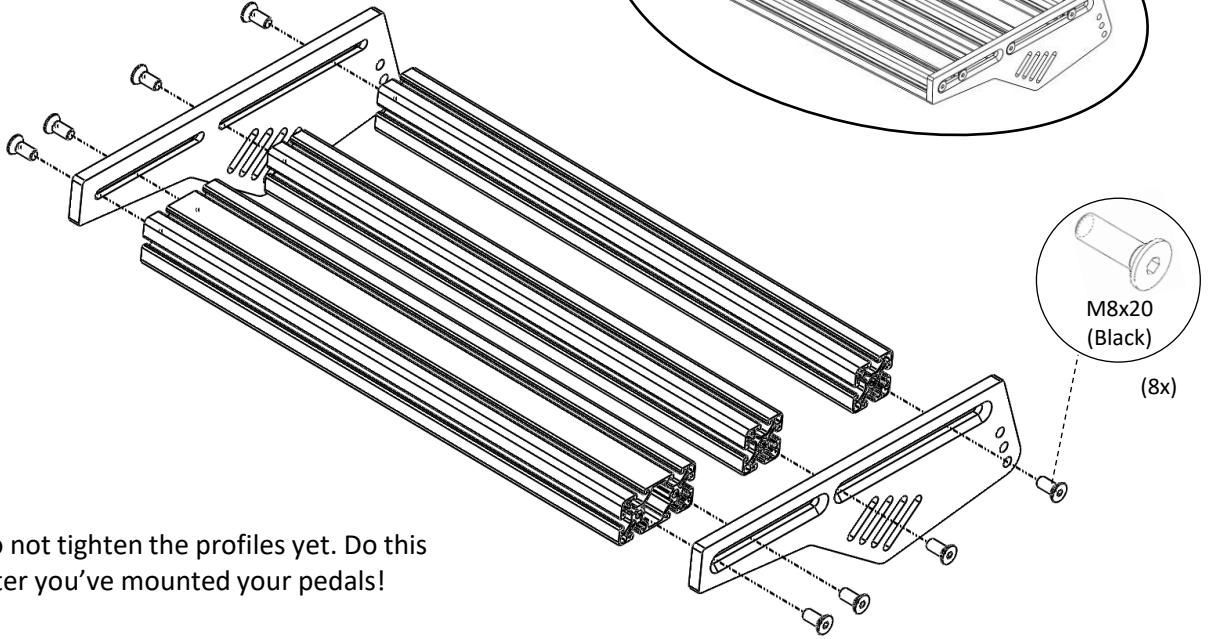
8



9



Assembly of Pedal Bracket
Profile 8040 L=478 (1x)
Profile 4040 L=478 (2x)

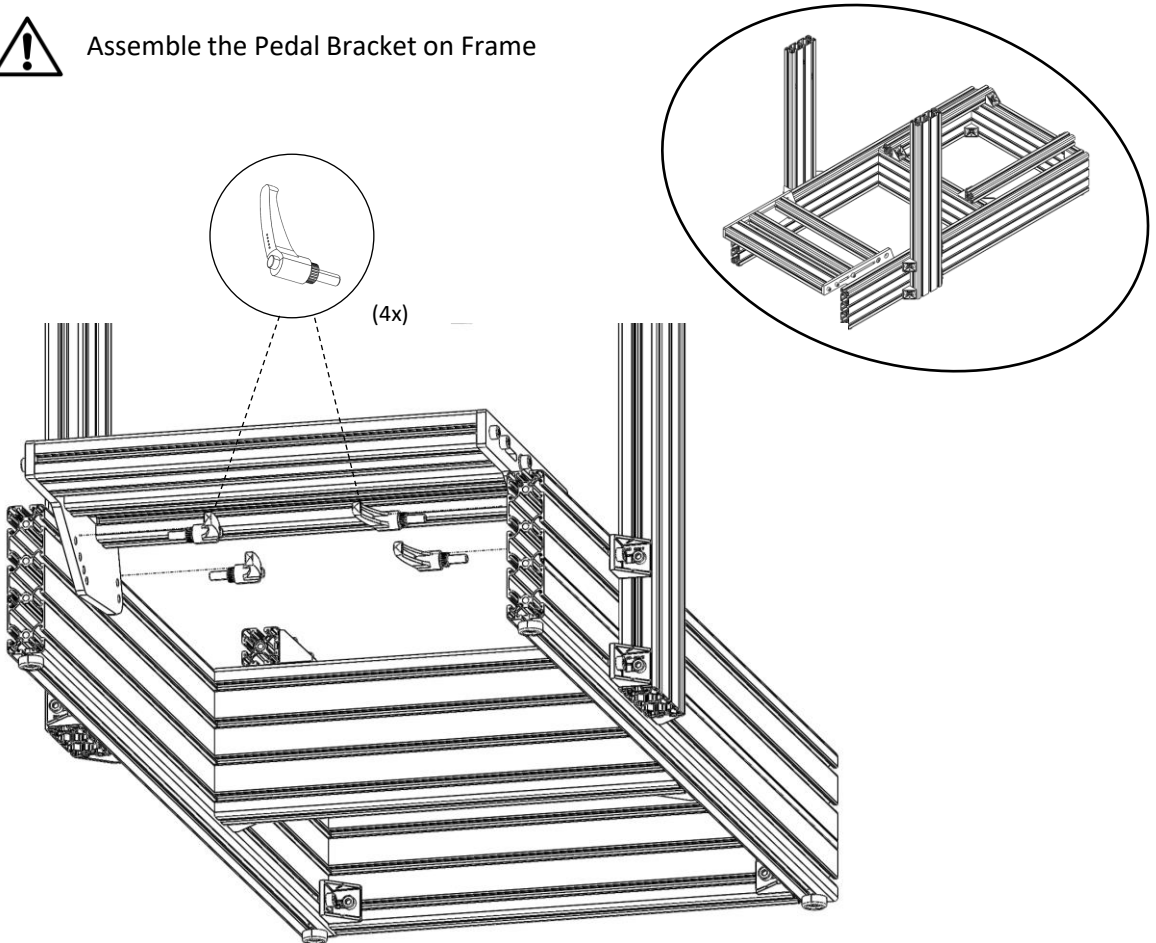


Do not tighten the profiles yet. Do this after you've mounted your pedals!

10



Assemble the Pedal Bracket on Frame

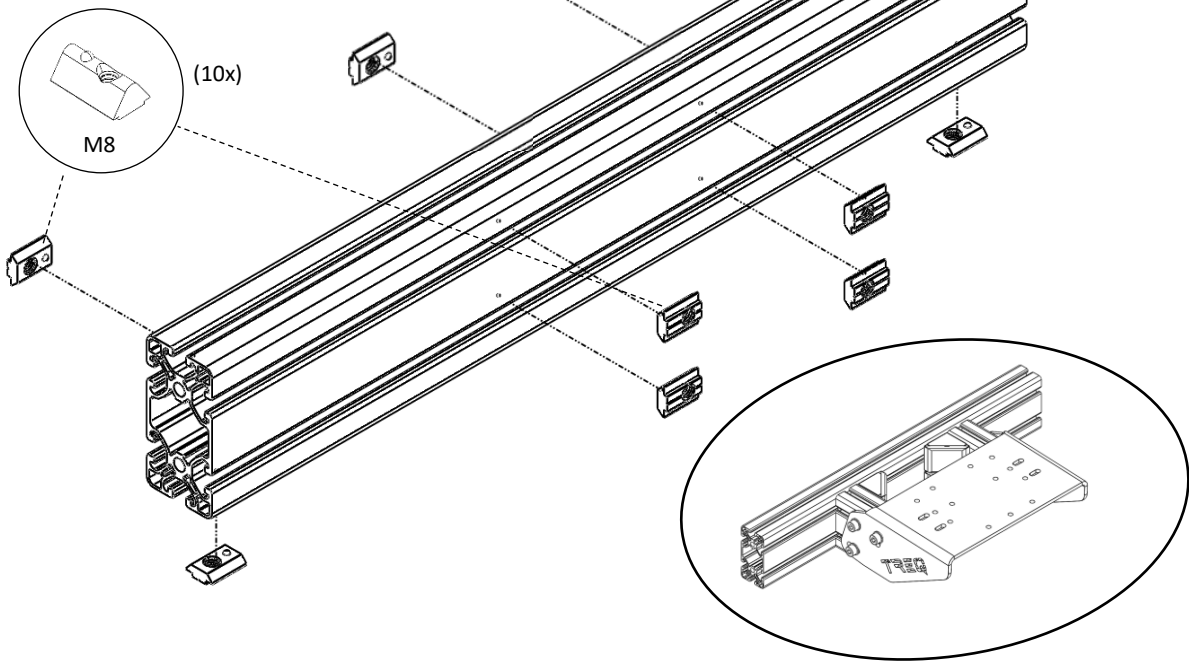


11



Assembly of Wheel Deck

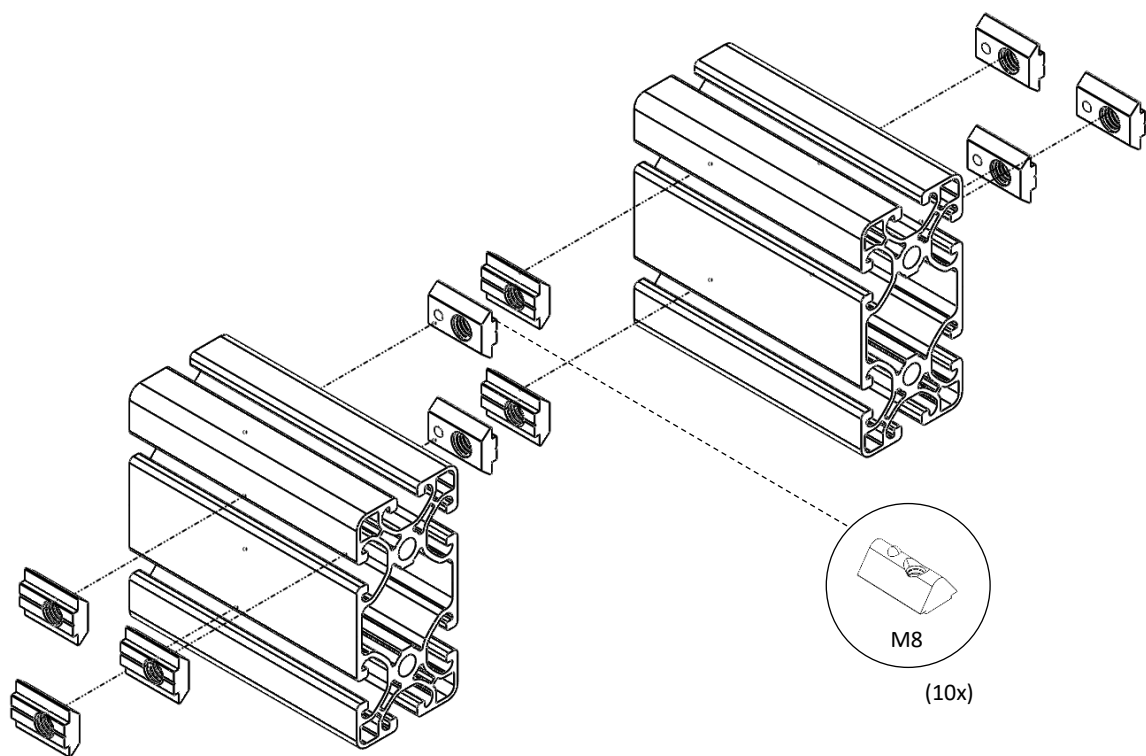
Profile 8040 L=580 (1x)



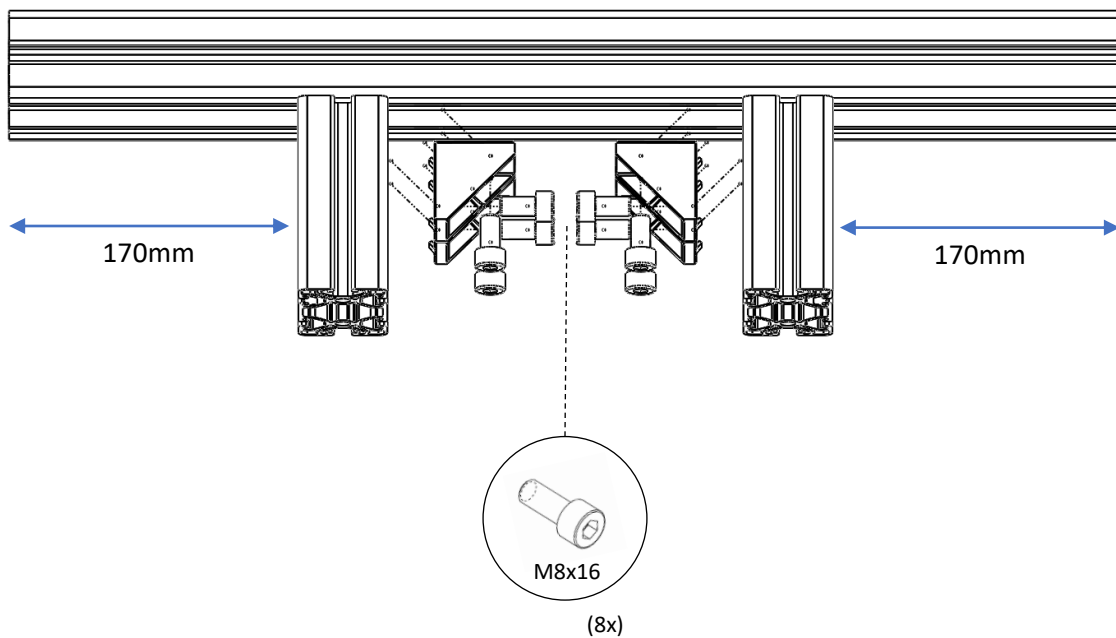
12



Profile 8040 L=90 (2x)



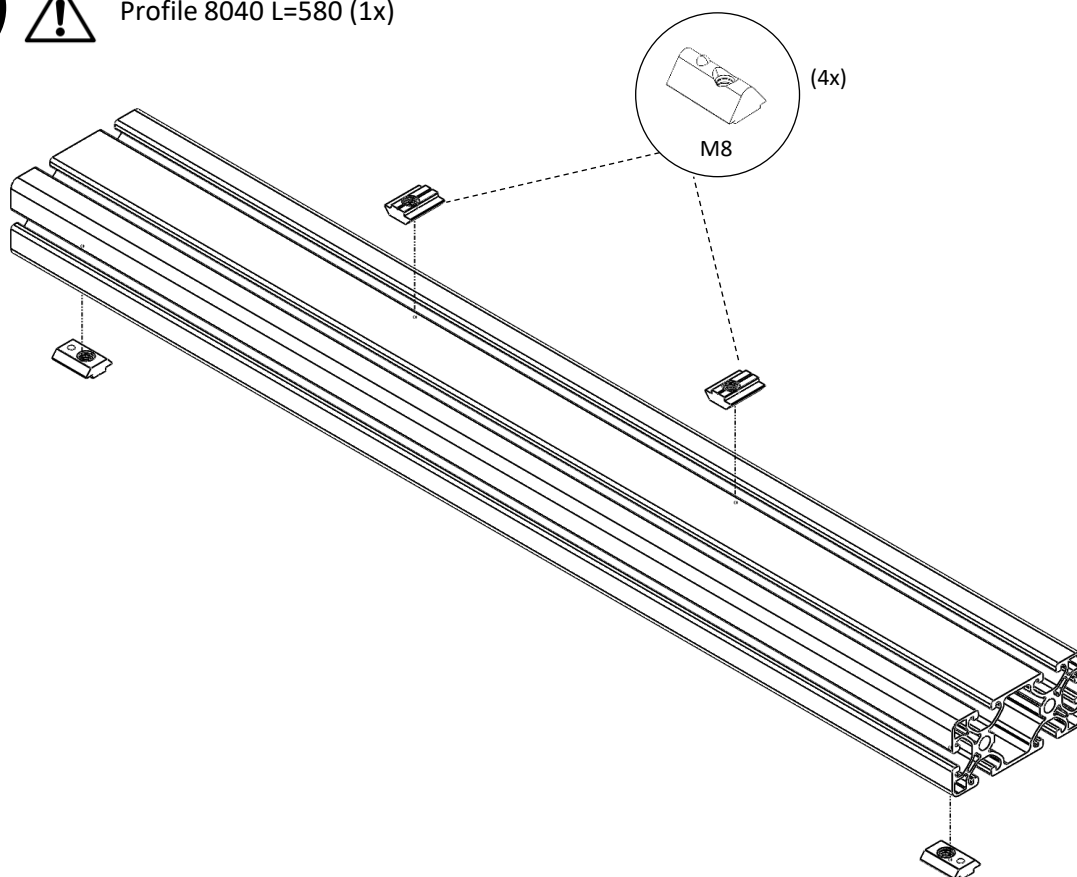
13



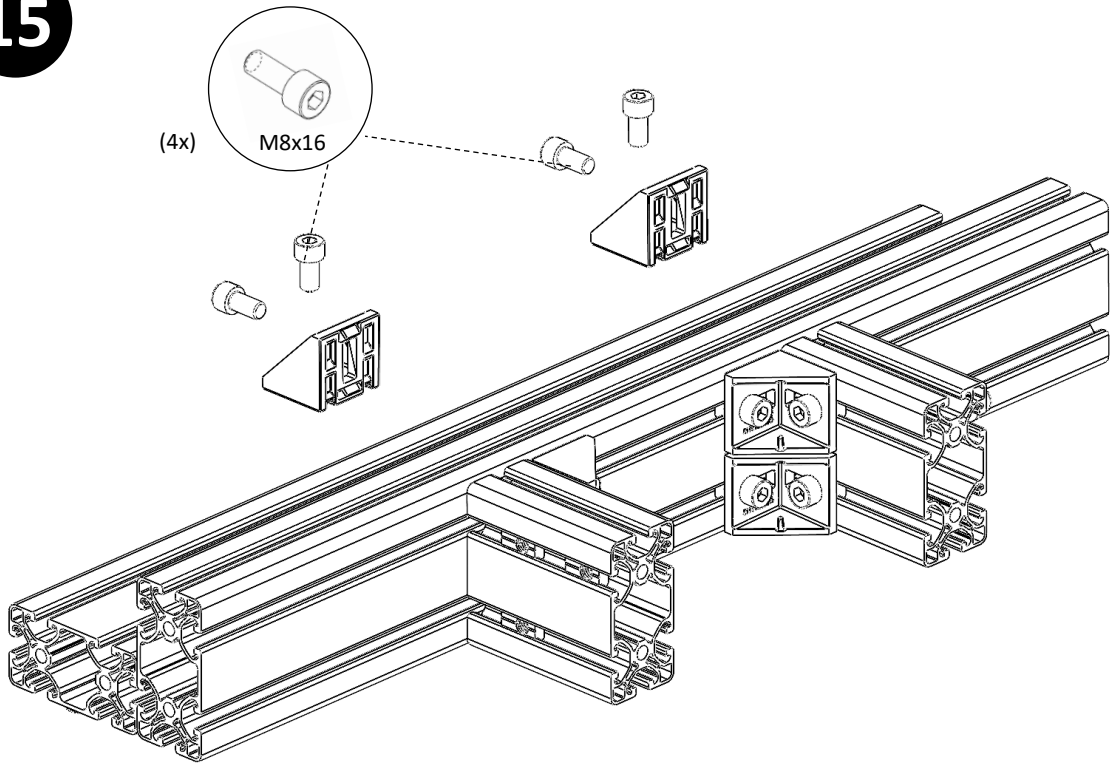
14



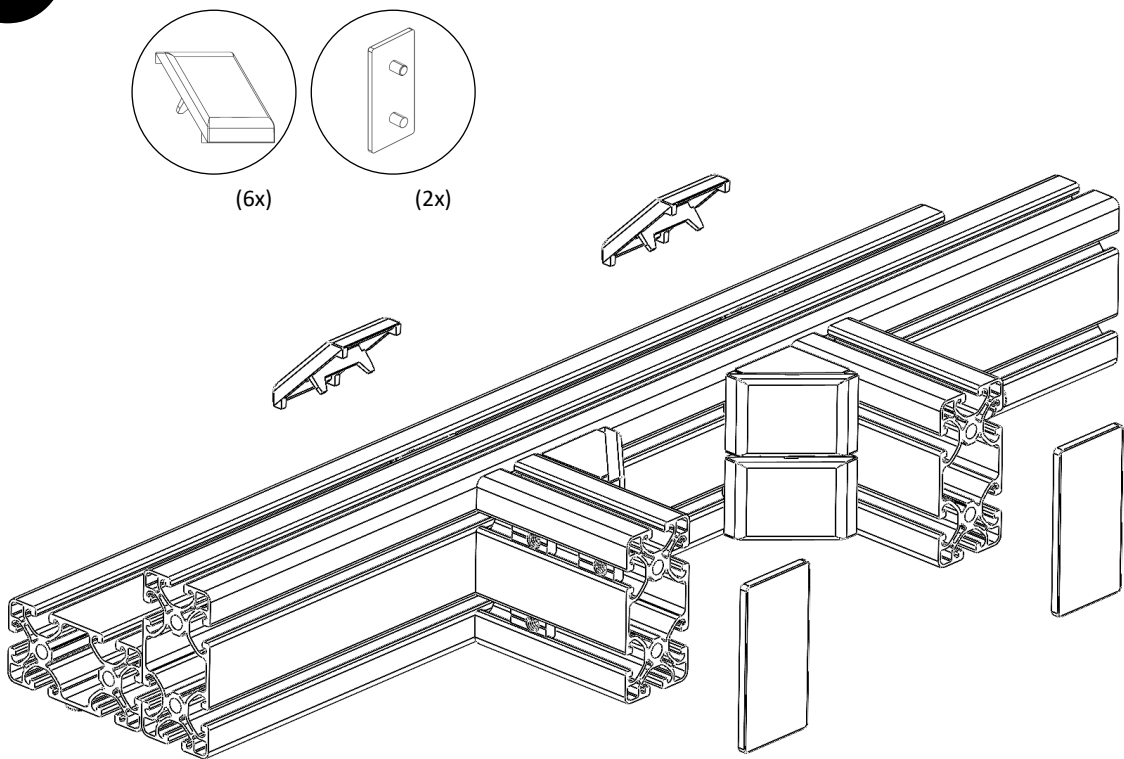
Profile 8040 L=580 (1x)



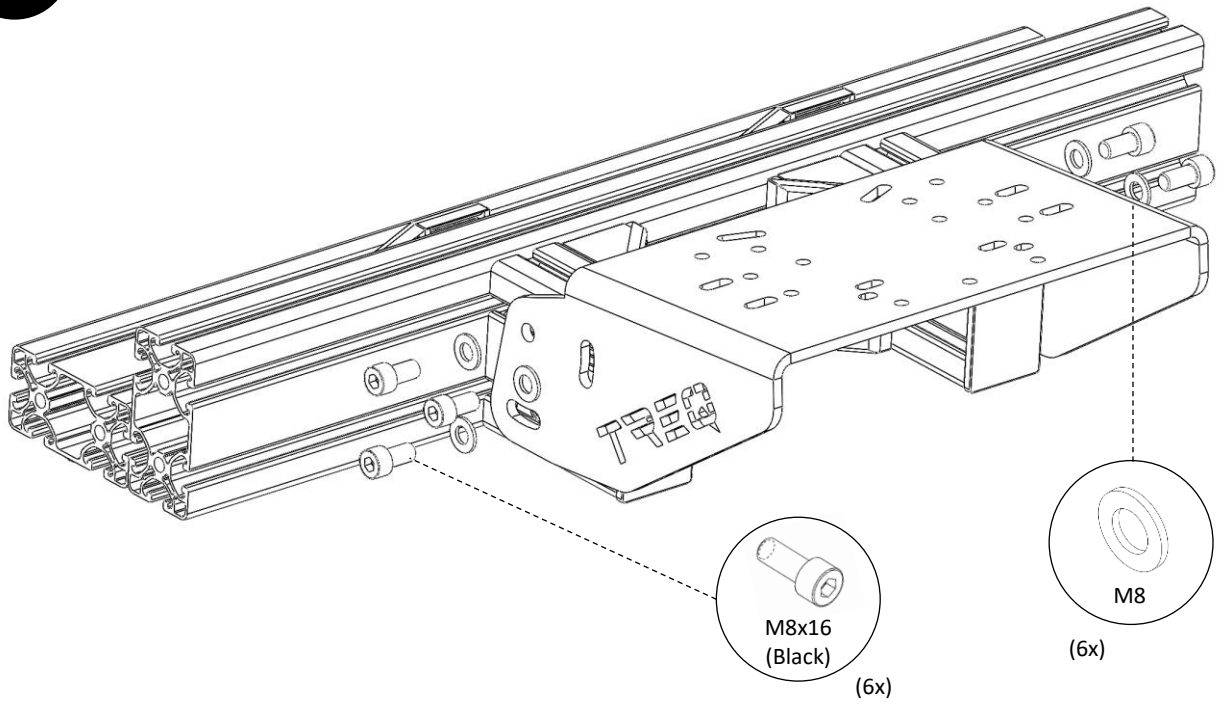
15



16



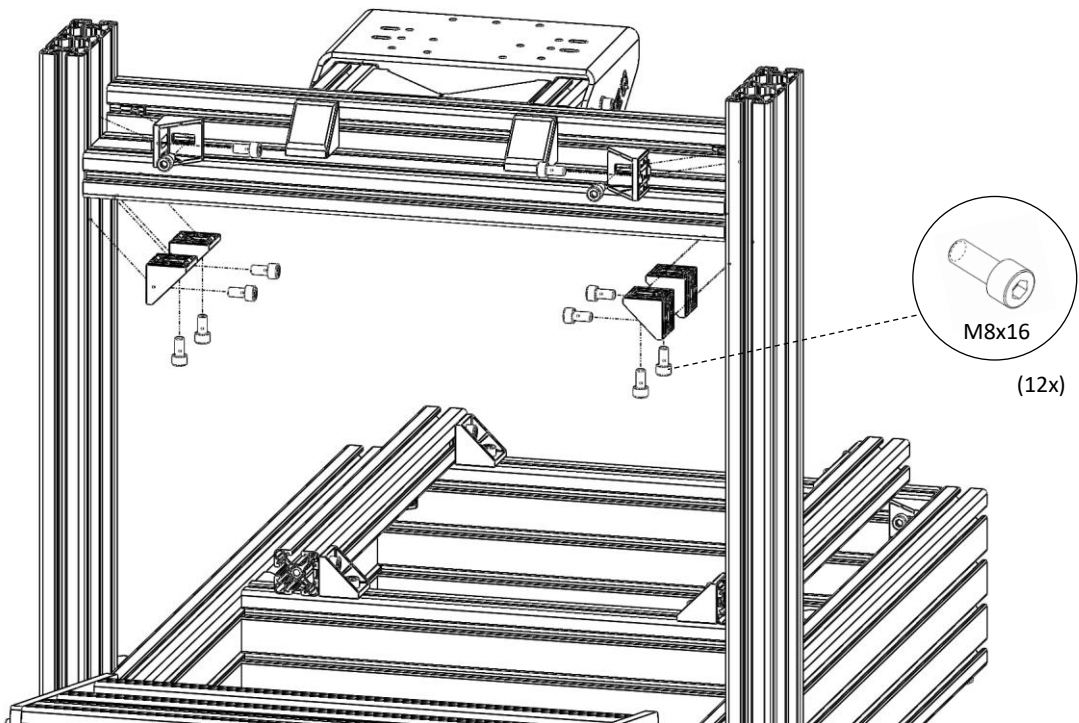
15



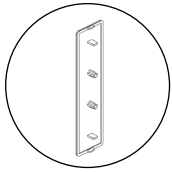
16



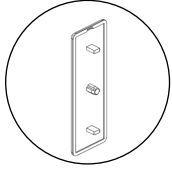
Assembly of Wheel Mount Assembly on Frame



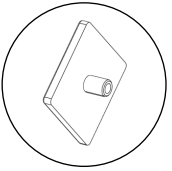
17



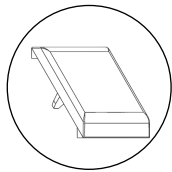
(4x)



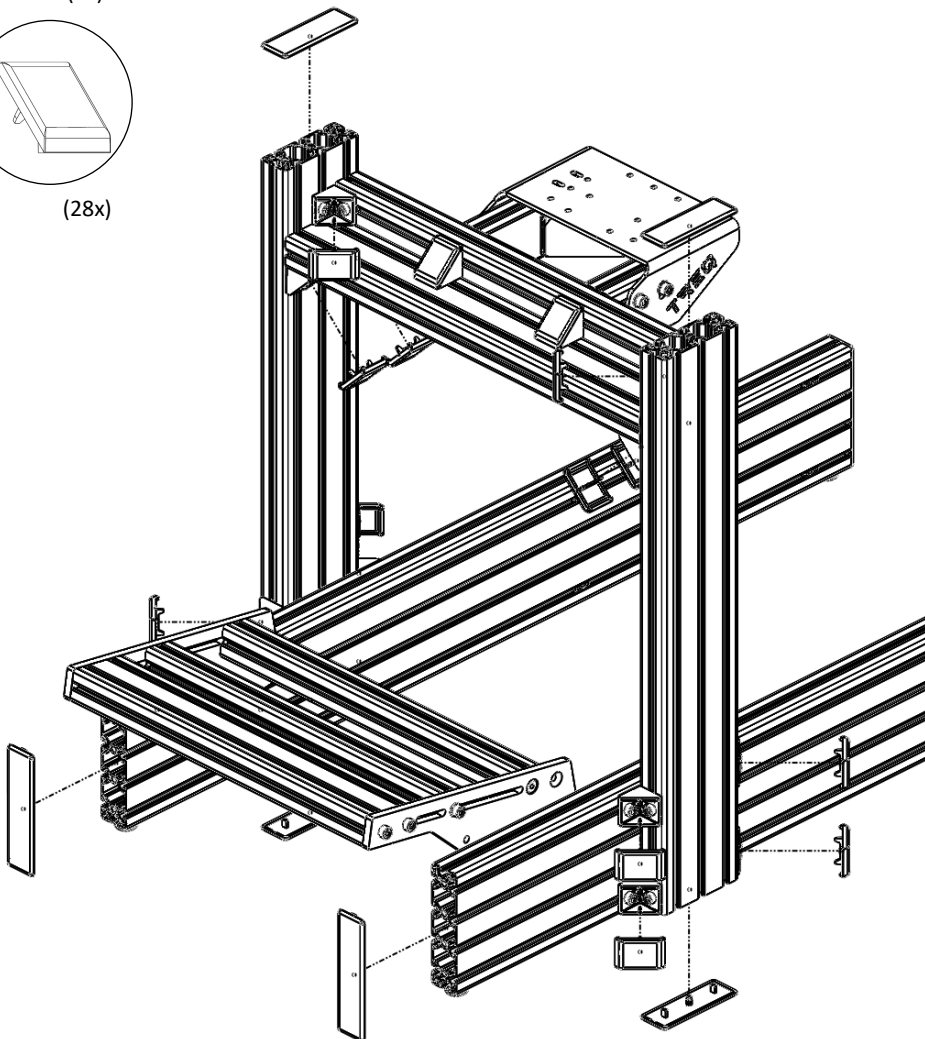
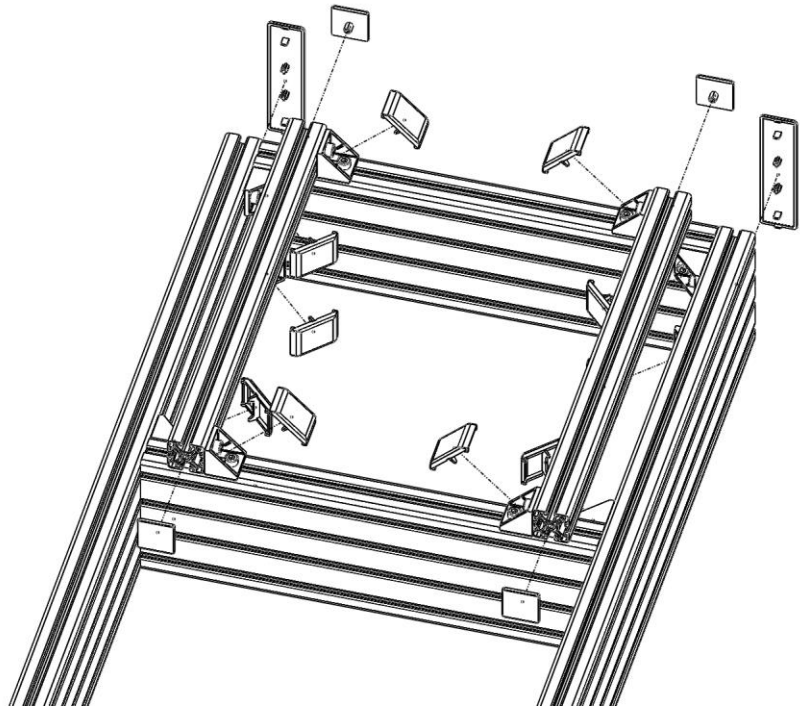
(4x)



(4x)

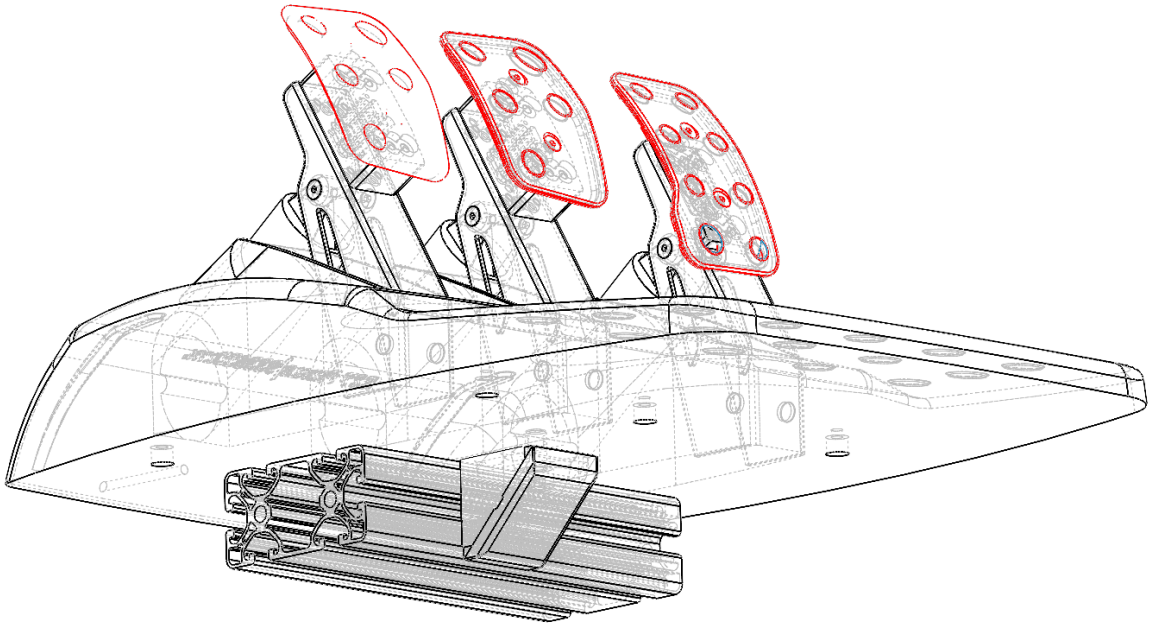


(28x)





OPTIONAL: Some pedals, like Thrustmaster or Logitech, have threaded holes on the bottom of the pedal base. To mount these type of pedals, please use the spare corner brackets. Mount 1 side to a pedaldeck-profile and the other to the pedals.



For Fanatec or Heusinkveld pedals you can use click-in-nuts and mount them 'from the top'.

19

Setting up your rig in the perfect way can take a lot of time and adjustments. Everybody is different, and with the enormous amount of sim racing gear available, it is impossible to draw you the perfect seating position. But this page should help you when tightening all the bolts for the first time. After you've built it up like this, you can then fine tune it to your own preferences.

Body length: 160 cm

A: 50 cm

B: 60 cm

C: 73 cm

Body length: 180 cm

A: 55 cm

B: 65 cm

C: 78 cm

Body length: 200 cm

A: 60 cm

B: 70 cm

C: 83 cm

When first building your rig, we recommend putting S on 31 cm. Don't tighten the bolts of the steering rack too much, because there is a big chance you're going to adjust it after you mount a steering wheel.

