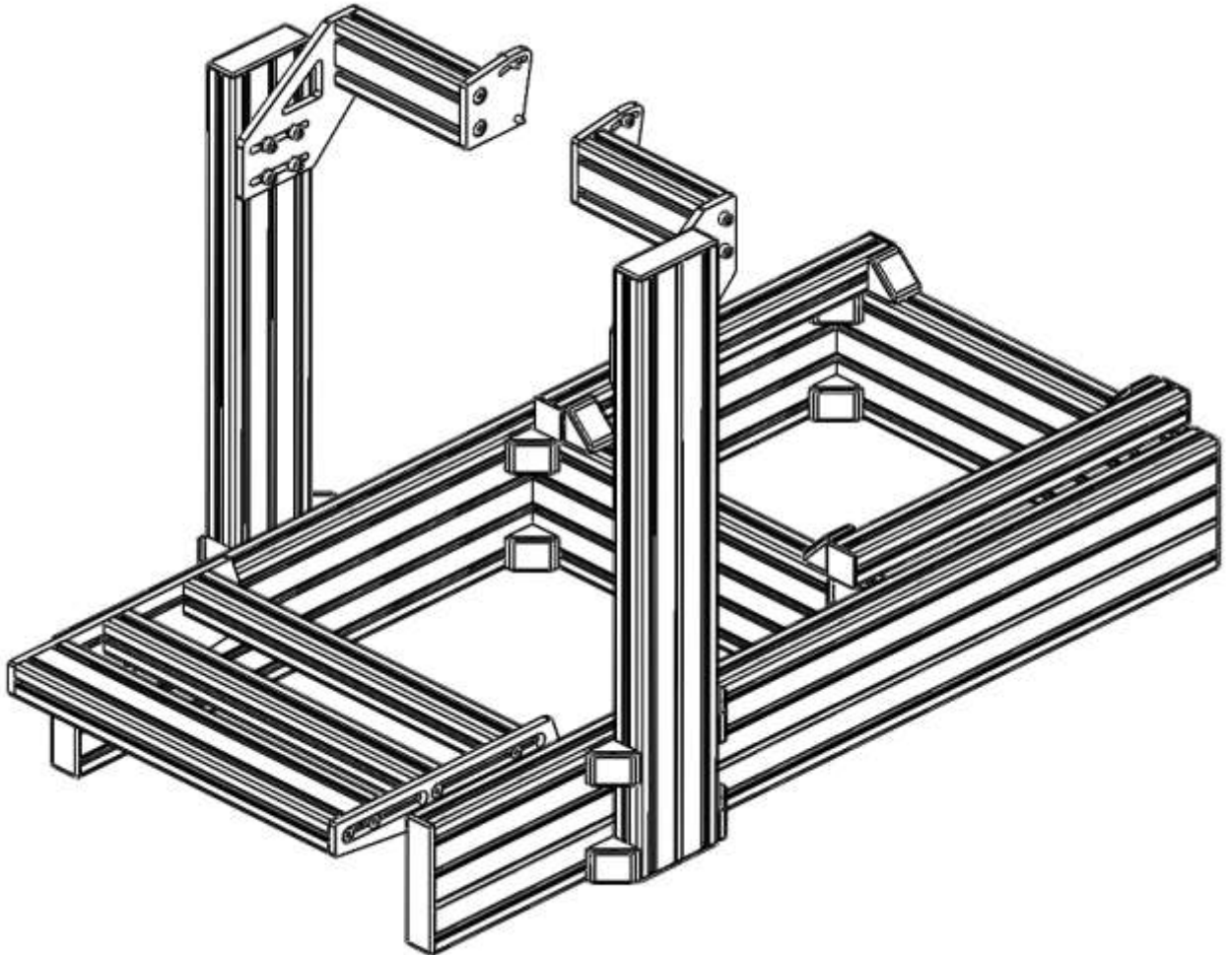


# TREQ ACE

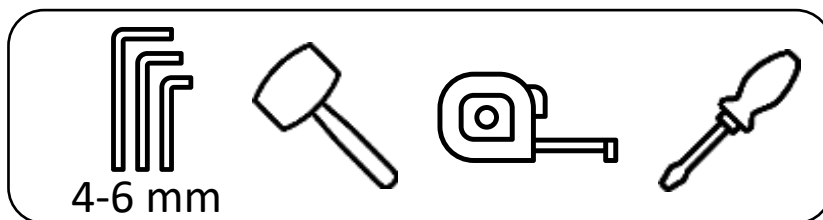
WITH FANATEC CSL & CLUBSPORT DD SIDE MOUNT

## INSTRUCTION MANUAL

The setup of your rig is very dependent on body type, personal seating preferences and the equipment you own, but to give you a head start, we included a setup scheme on the last page.

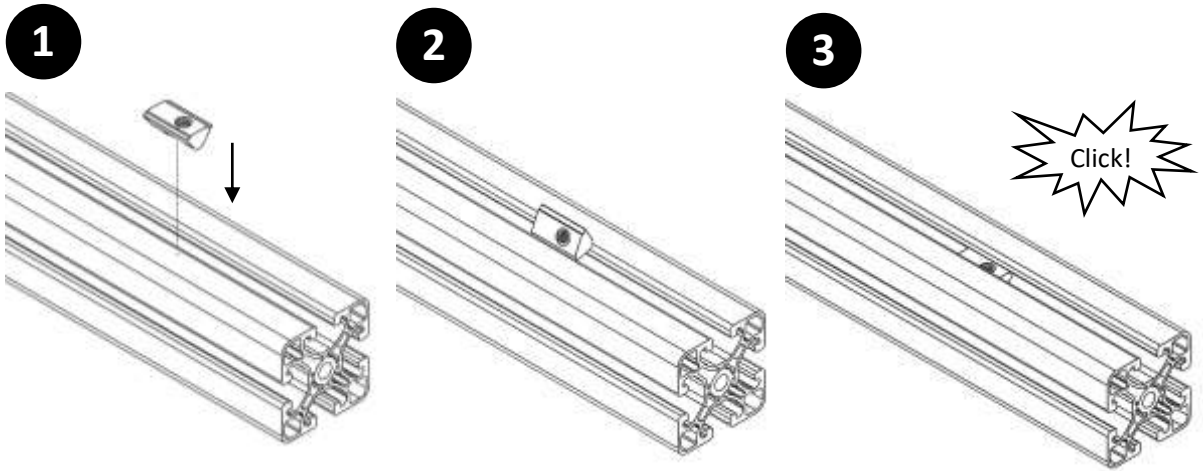


REQUIRED TOOLS:

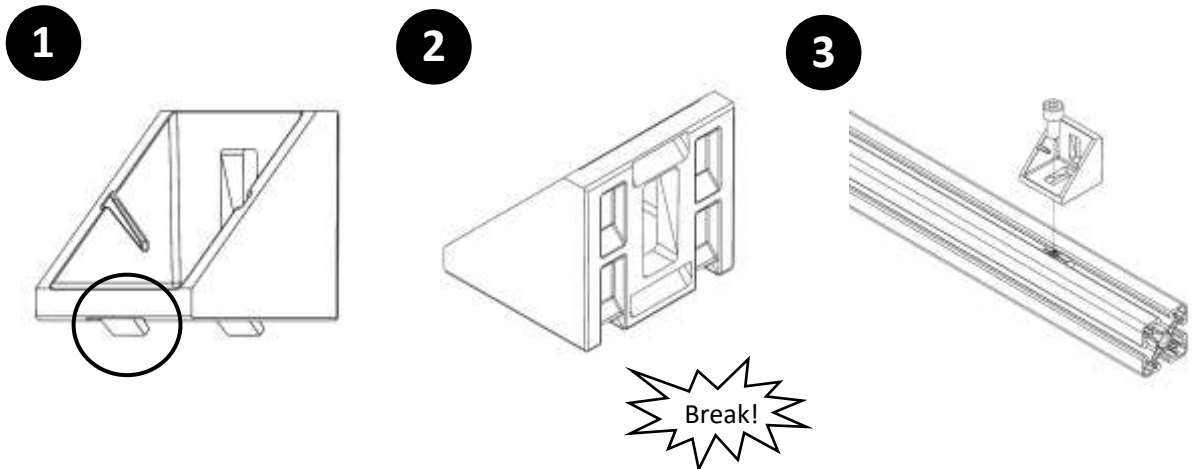


# GENERAL INSTRUCTIONS

The easiest way to mount the click-in-nuts, is to slide them in from one side of the profile. But don't worry if you need to put in a click-in-nut in a profile which has both ends already closed: it is also possible to push them in the T-slot anywhere you like!



The corner brackets feature 4 little hooks to stop the bracket from rotating once it is mounted on a profile. But on some places of the rig these corner brackets are placed on a 90° angle of the T-slot. In these situations it is recommended to break off 2 of the hooks, which is easily done with a screwdriver.



REQUIRED TOOL:



**1**



Profile 4040 L=478

**2x**



Profile 4040 L=500

**2x**



Profile 4080 L=190

**2x**



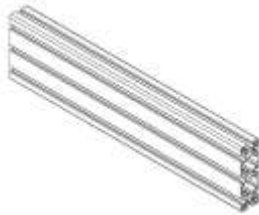
Profile 16040 L=1170

**2x**



Profile 4080 L=478

**1x**



Profile 12040 L=740

**2x**



Profile 16040 L=500

**2x**



Mounting Plate

**2x**



Pedal Bracket Left

**1x**



Pedal Bracket Right

**1x**



CSL Side Mount Right

**1x**



CSL Side Mount Left

**1x**



Cover 4040

**4x**



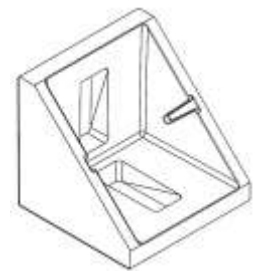
Cover 12080

**4x**



Cover 16080

**4x**



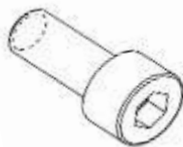
Corner 4040

**24x**



Click-in Nut M8

56x



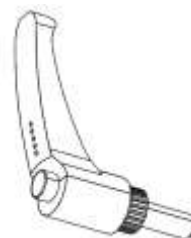
M8x16

48x



Corner Cover

24x



Clamp M8x20

4x

Bags with bolts, nuts and washers:

M8 BOLTS AND WASHERS	
M8x20 (Socket Head) Black	12
M8x20 (Sunken Head) Black	12
M8 Washer	12

RUBBER FEET	
M5x12 (Socket Head)	4
M5 T-Nut Click-in-Nut	4
Rubber Foot	4

STEERING WHEEL / PEDAL MOUNTING	
M6x12 Screw	2
M6x16 (Socket Head)	4
M6x20 (Socket Head)	6
M6x25 (Socket Head)	2
M6 Washer	6
M6 T-Nut Click-in-Nut	4
Spacer 8x6x8,5mm	4

CABLE MANAGEMENT	
M4x12 Screw	5
M4 T-Nut Click-in-Nut	5
Cable Binder	5

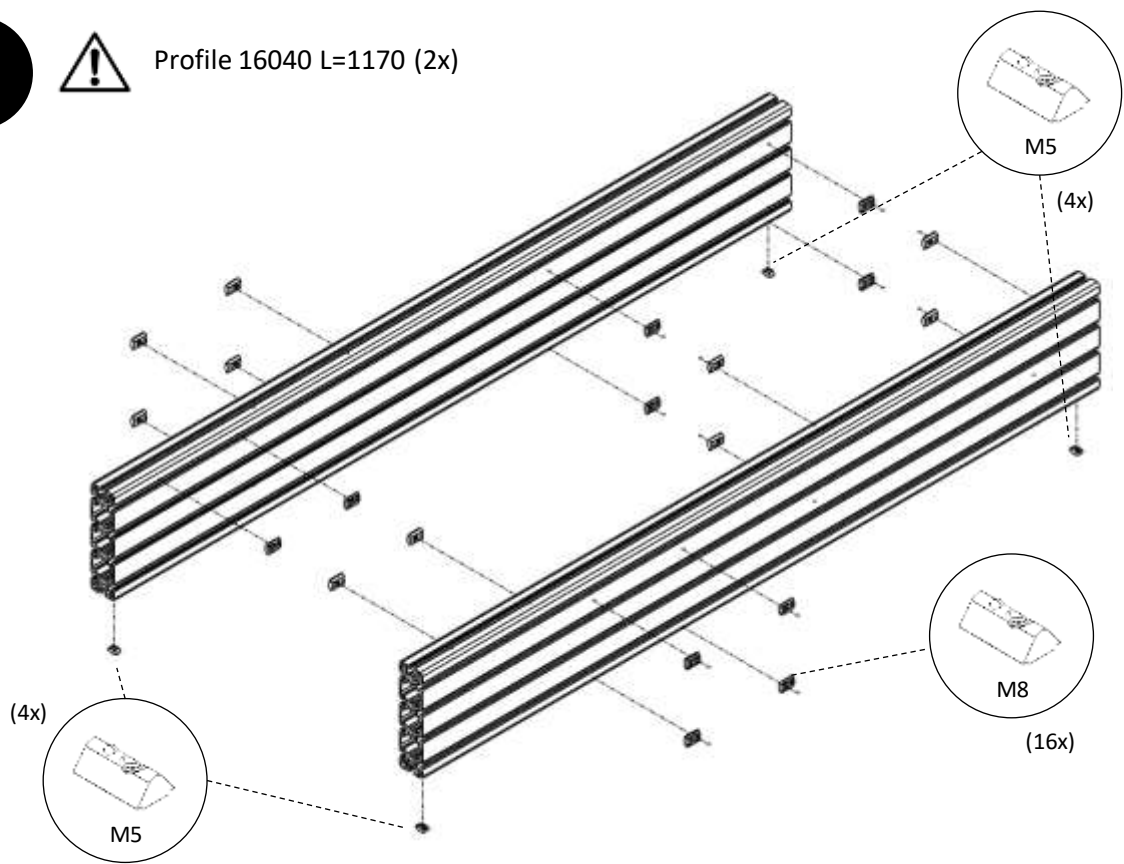


You can use these on any place you like. Either inside the profile slot (just turn the bolt through the tape), or by pasting them.

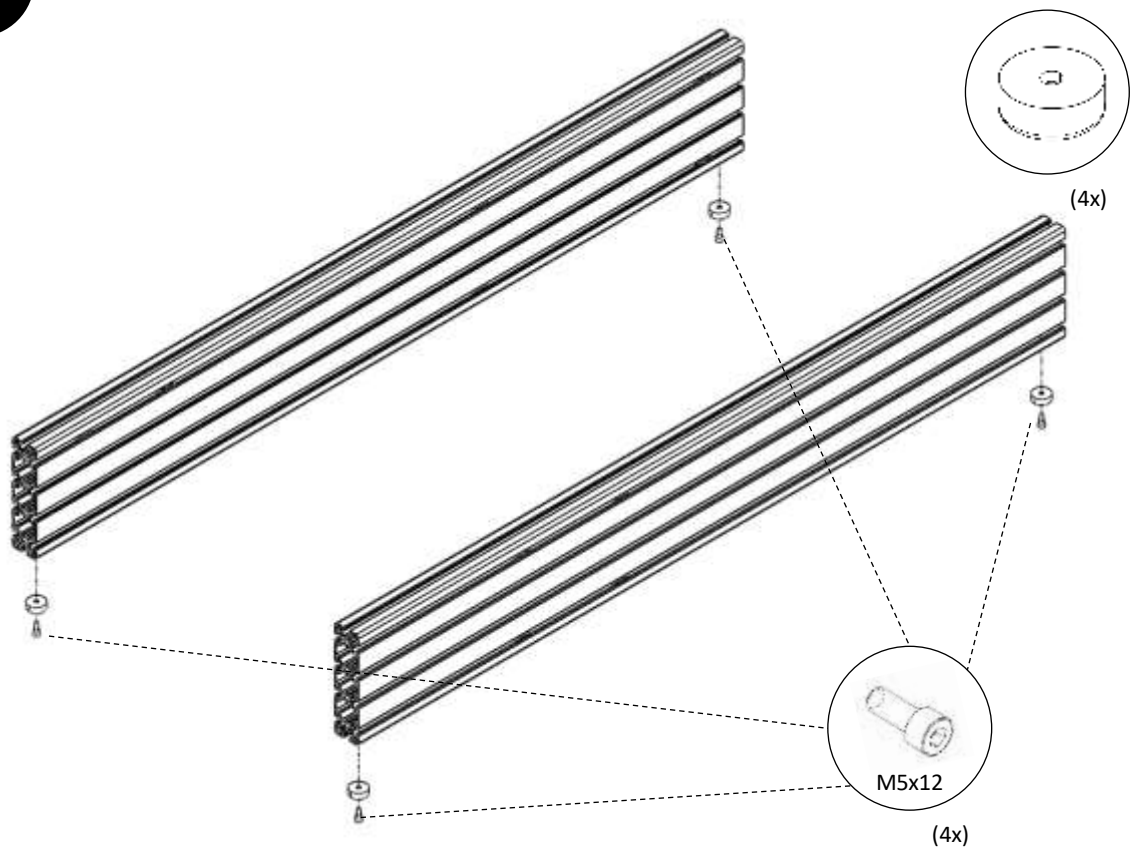
2



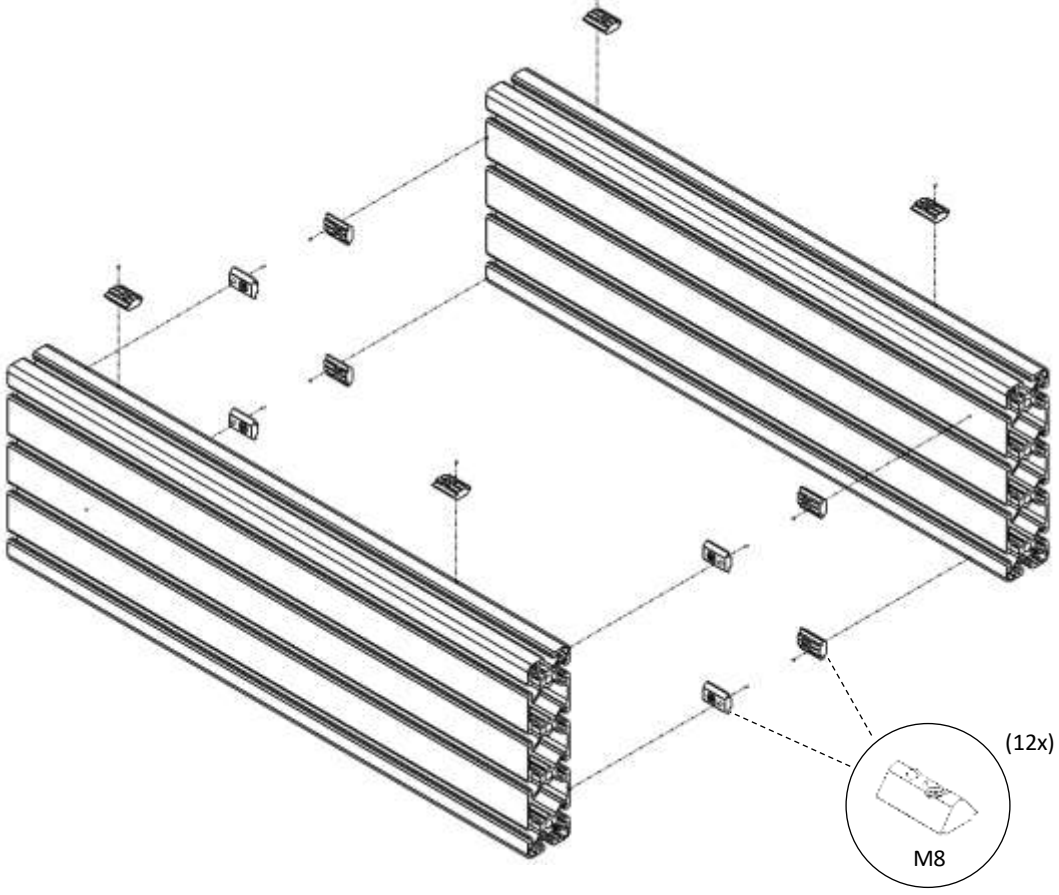
Profile 16040 L=1170 (2x)



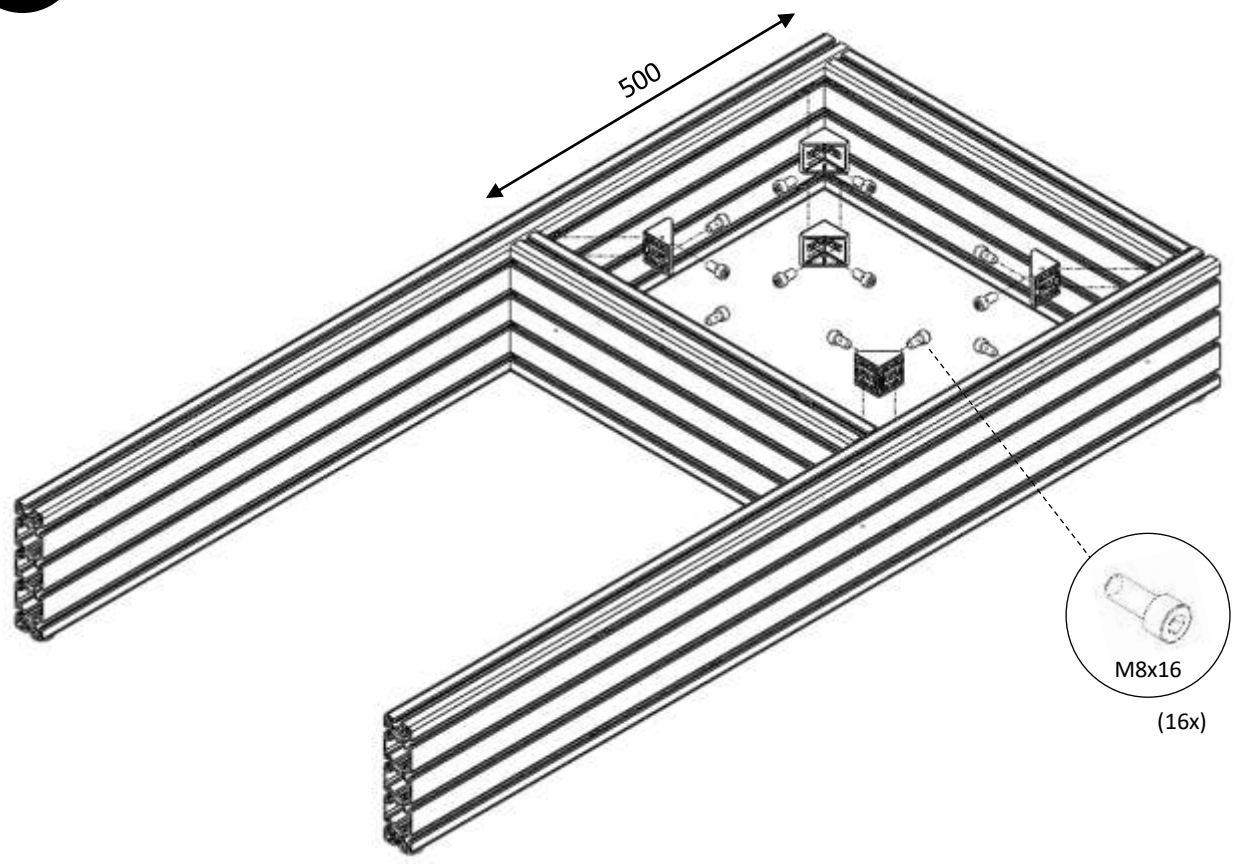
3



3



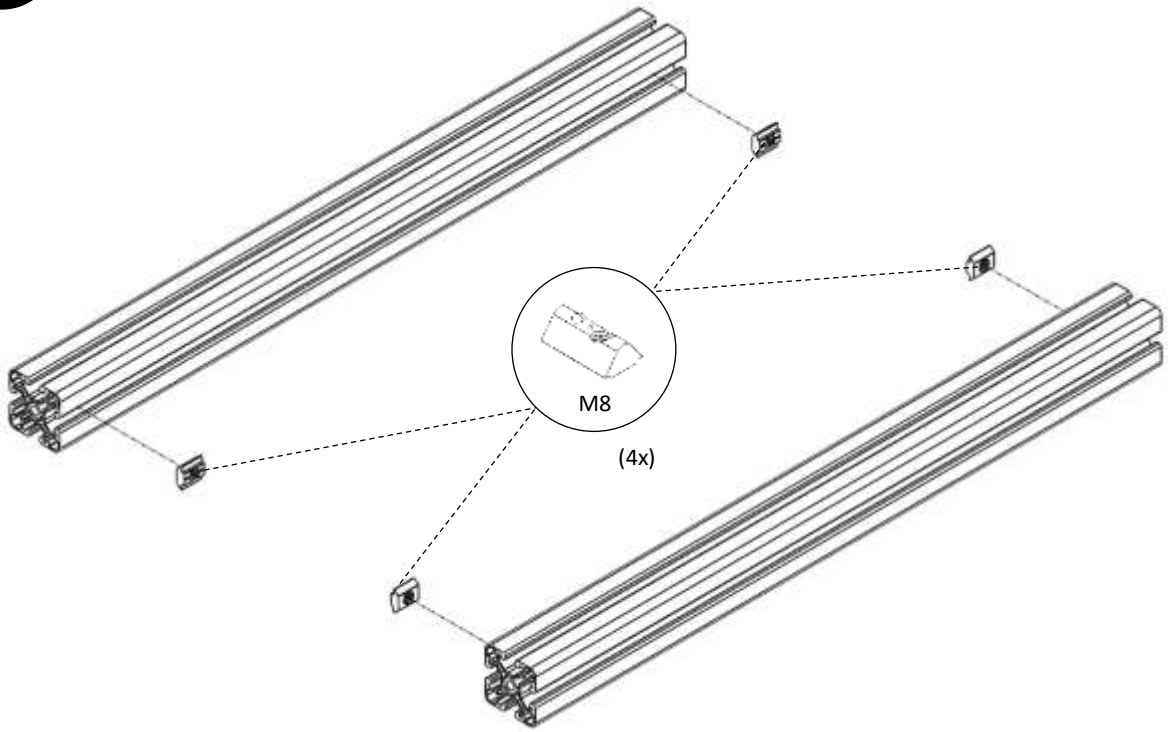
4



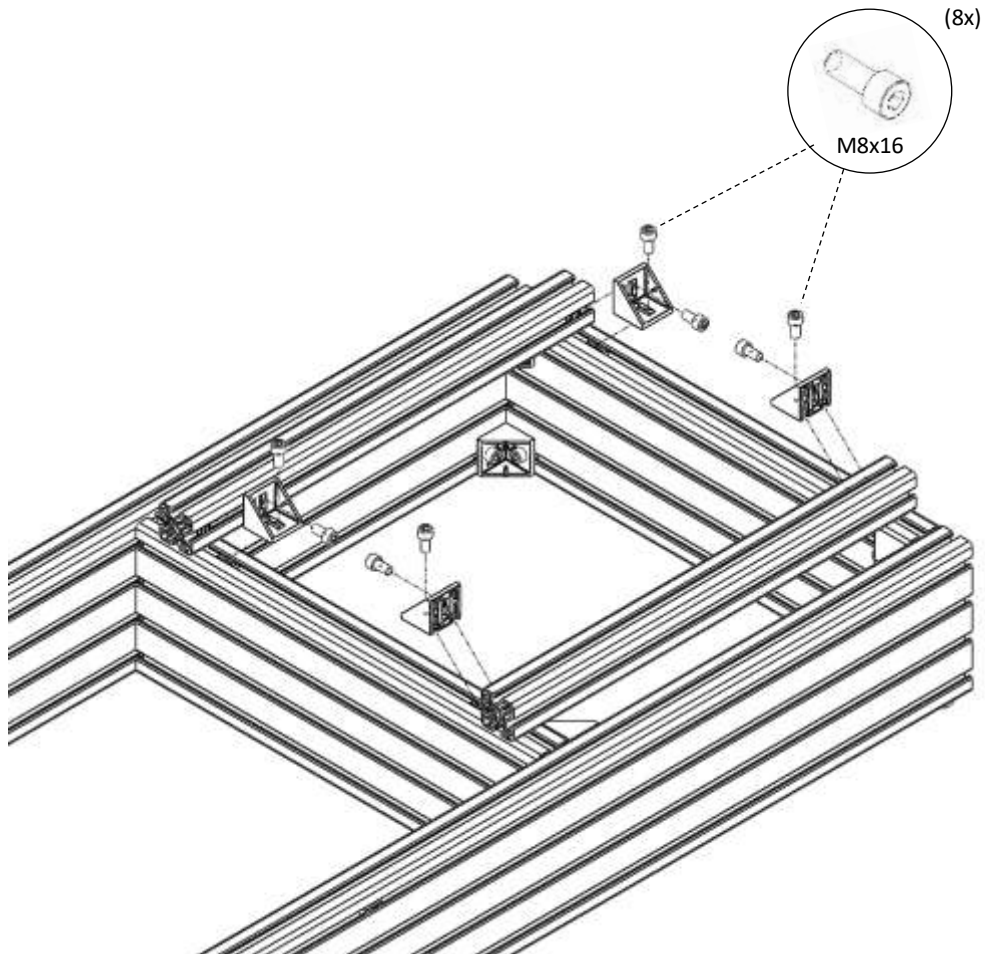
5



Profile 4040 L=500 (2x)



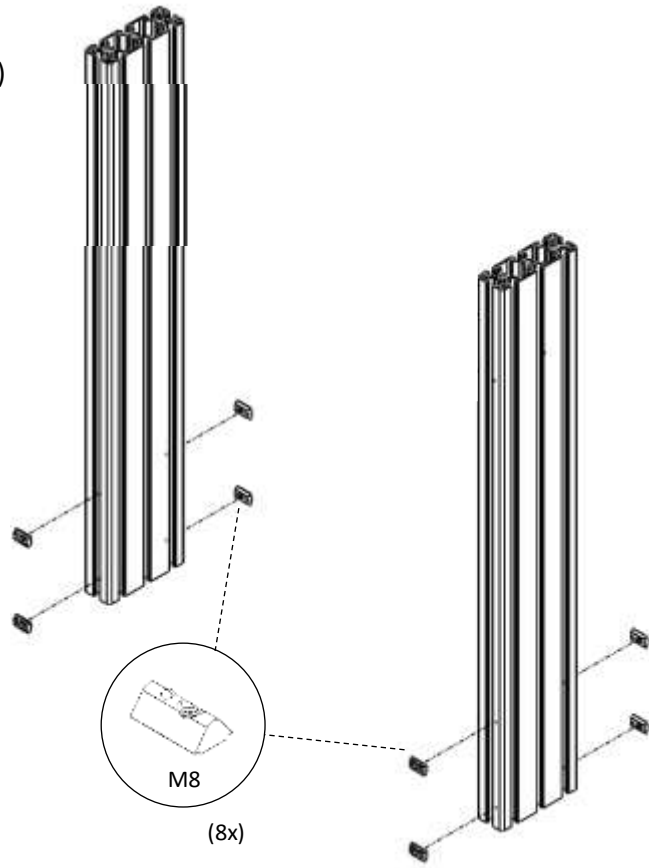
6



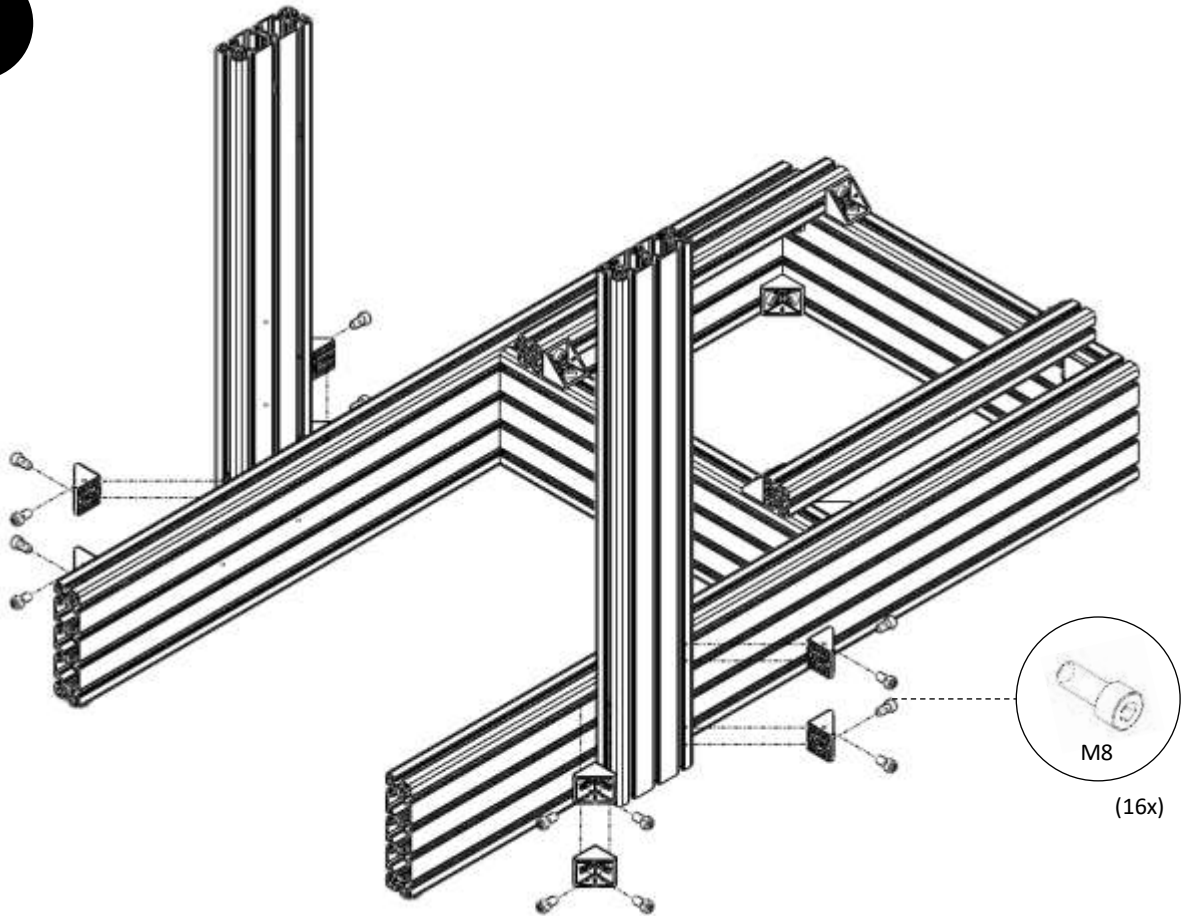
7



Profile 12040 L=740 (2x)



8

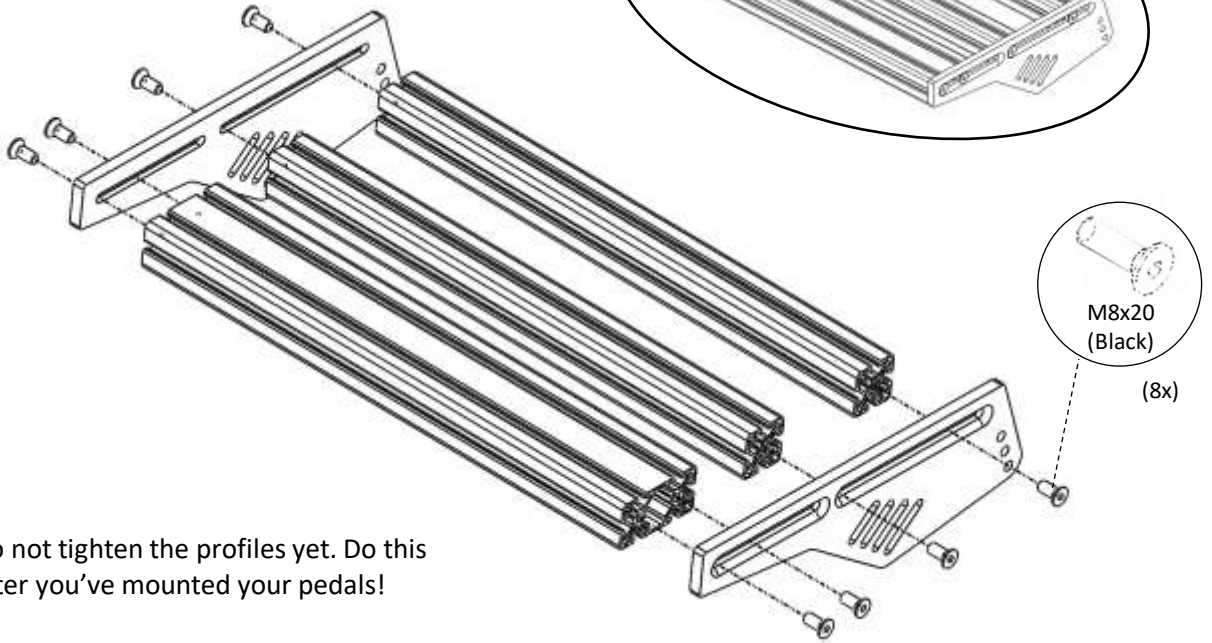




9



Assembly of Pedal Bracket  
Profile 8040 L=478 (1x)  
Profile 4040 L=478 (2x)

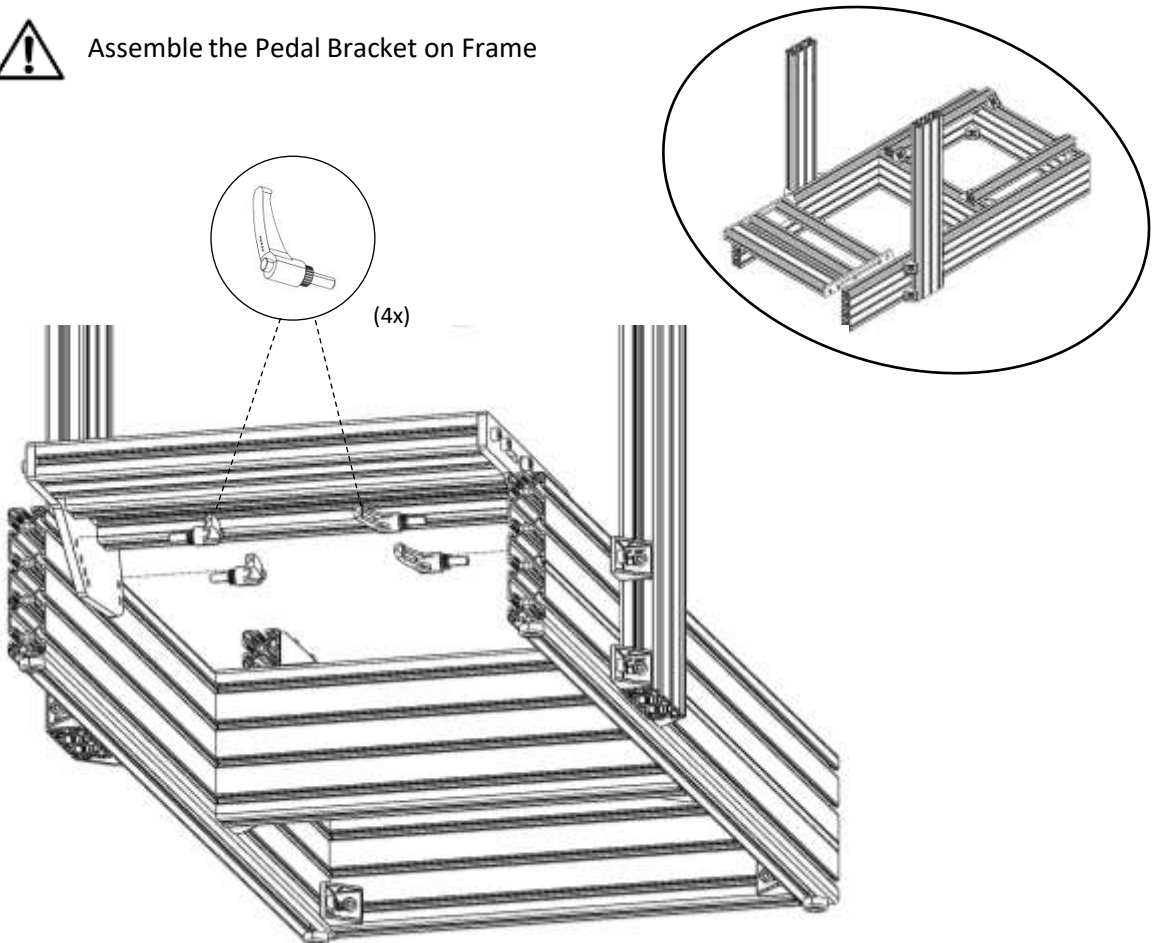


Do not tighten the profiles yet. Do this after you've mounted your pedals!

10

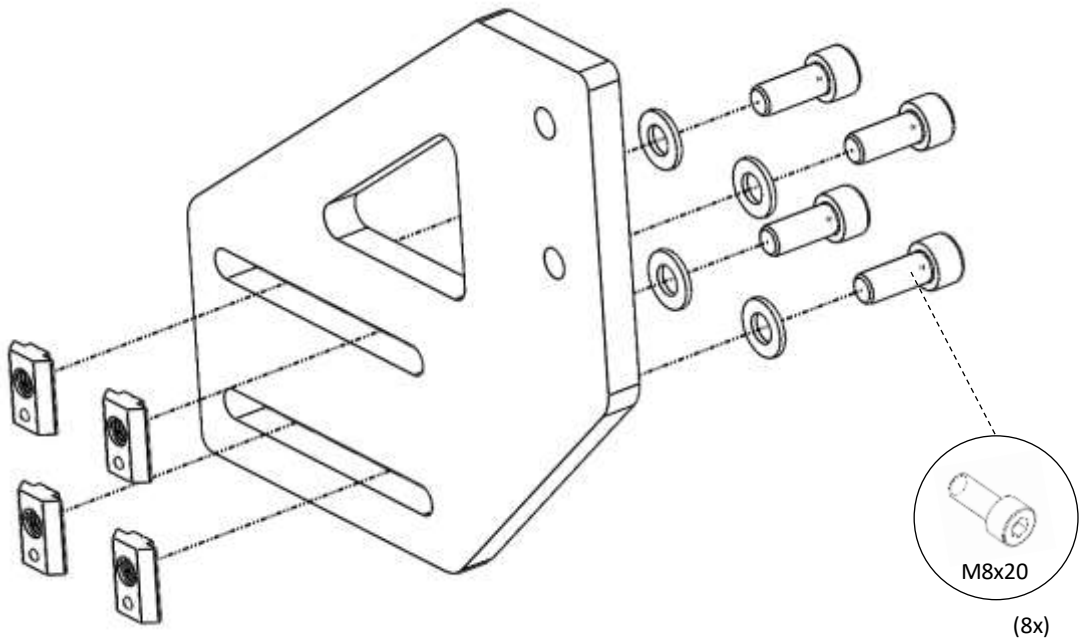


Assemble the Pedal Bracket on Frame

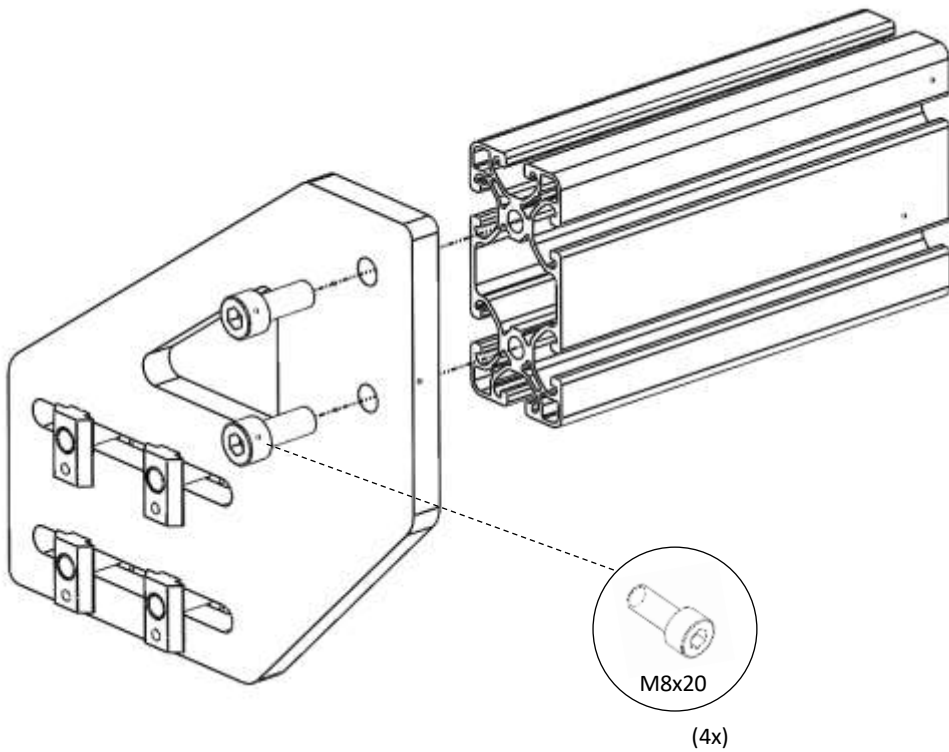


11

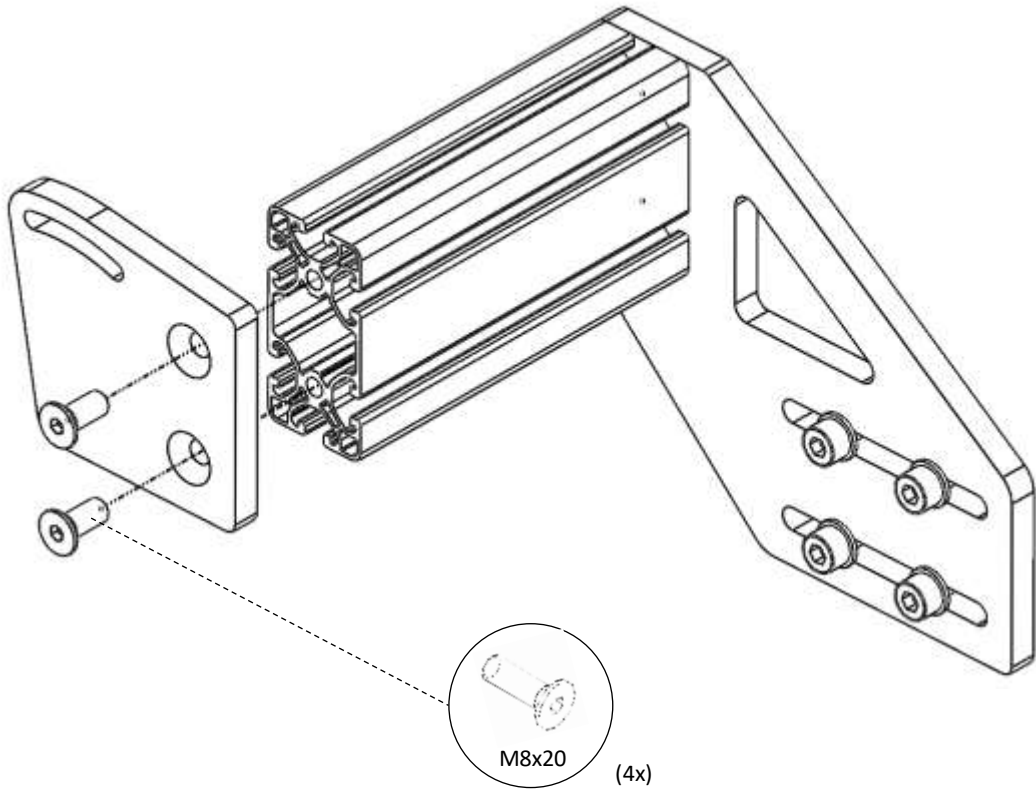
Mount both 'Mounting Plates' to the upright profiles of your rig.



12

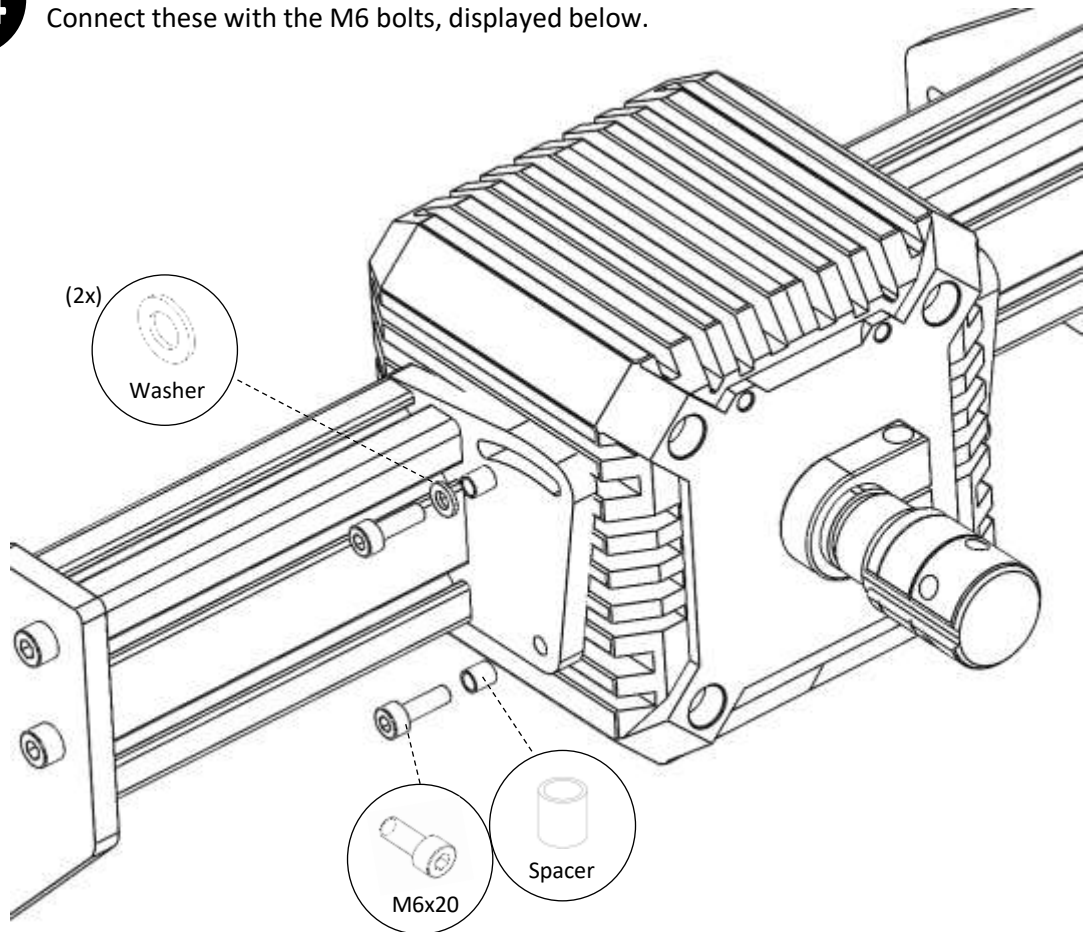


13



14

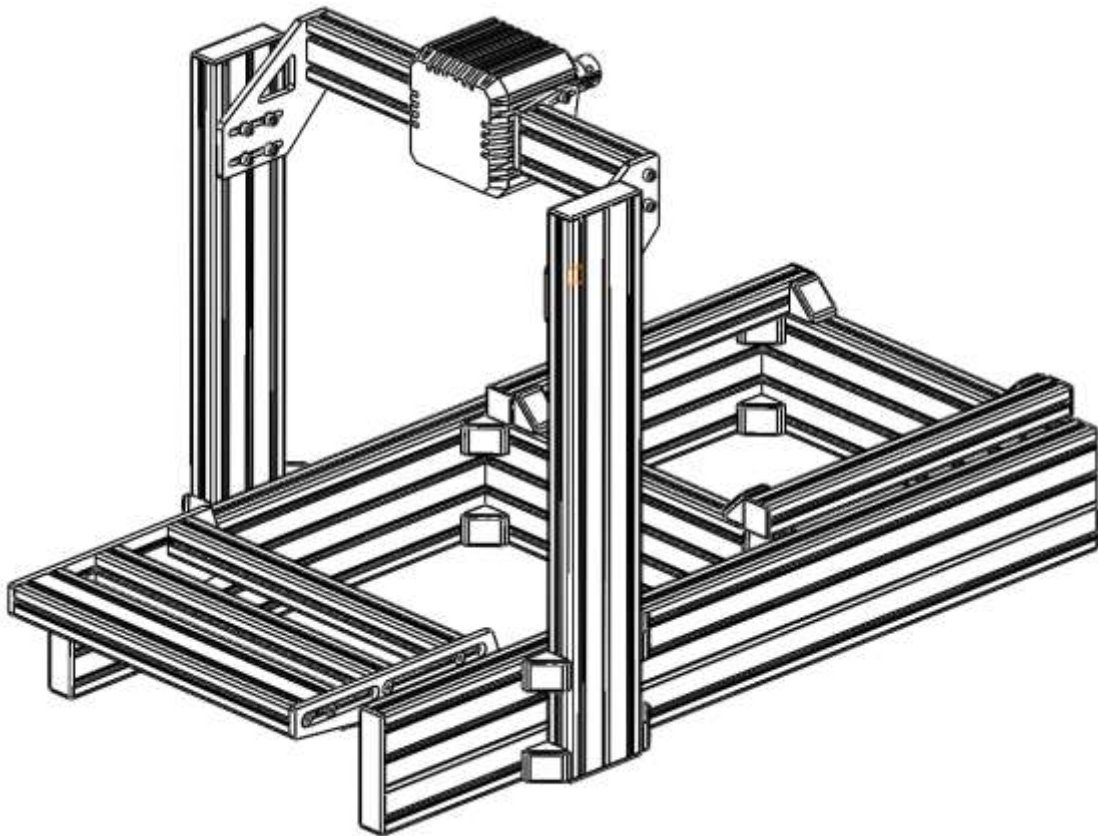
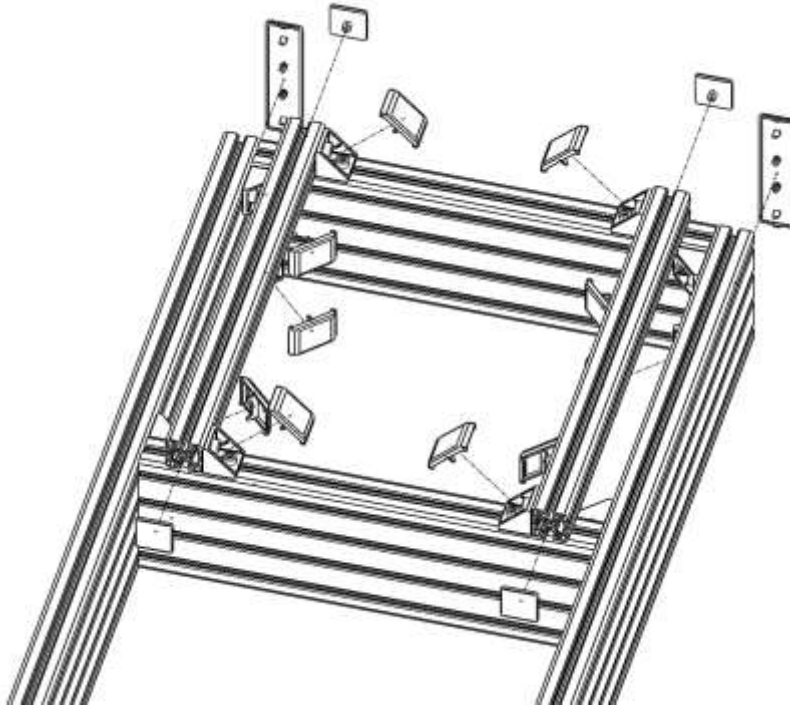
Slide in the Fanatec M6 nuts (delivered with the wheel base) into the side of the base. Connect these with the M6 bolts, displayed below.



17



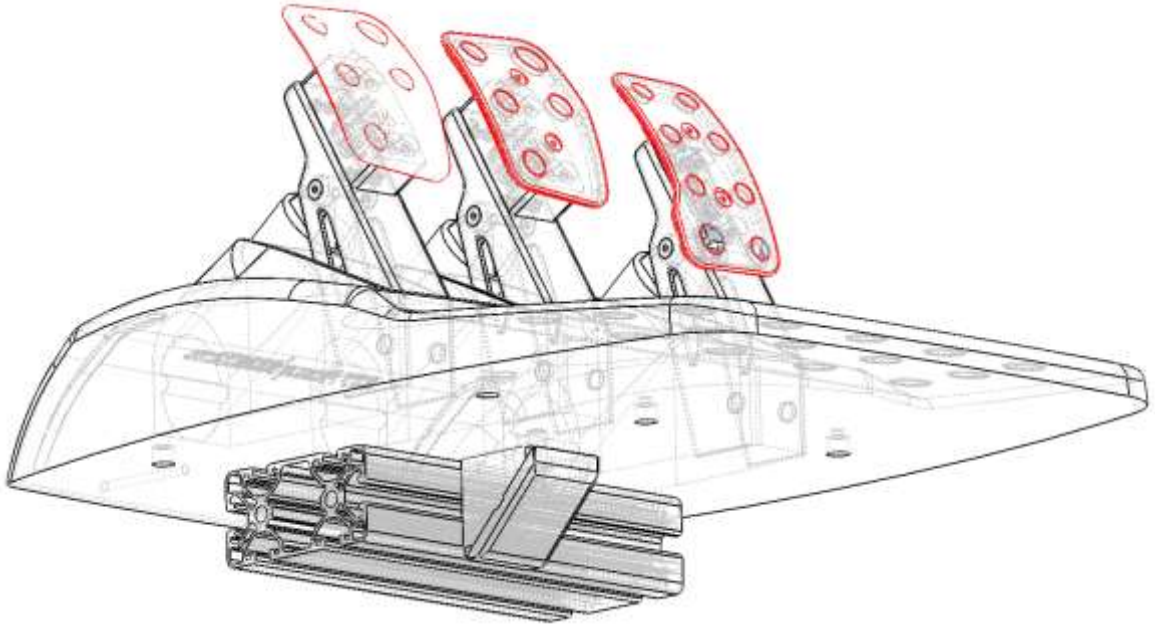
Place all covers on both the profiles as well as the corner brackets



18



OPTIONAL: Some pedals, like Thrustmaster or Logitech, have threaded holes on the bottom of the pedal base. To mount these type of pedals, please use the spare corner brackets. Mount 1 side to a pedaldeck-profile and the other to the pedals.



For Fanatec or Heusinkveld pedals you can use click-in-nuts and mount them 'from the top'.

# 19

Setting up your rig in the perfect way can take a lot of time and adjustments. Everybody is different, and with the enormous amount of sim racing gear available, it is impossible to draw you the perfect seating position. But this page should help you when tightening all the bolts for the first time. After you've built it up like this, you can then fine tune it to your own preferences.

Body length: 160 cm

A: 50 cm

B: 60 cm

C: 73 cm

Body length: 180 cm

A: 55 cm

B: 65 cm

C: 78 cm

Body length: 200 cm

A: 60 cm

B: 70 cm

C: 83 cm

When first building your rig, we recommend putting S on 31 cm. Don't tighten the bolts of the steering rack too much, because there is a big chance you're going to adjust it after you mount a steering wheel.

