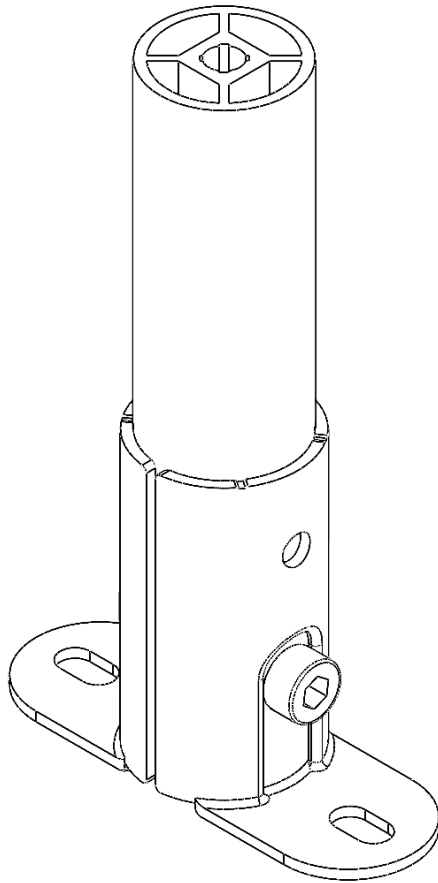
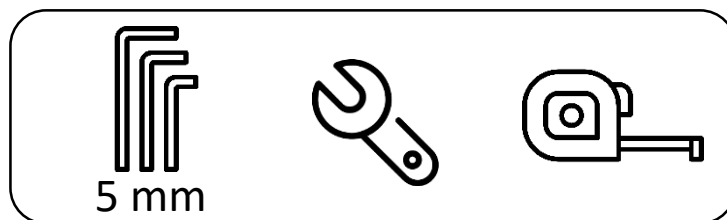


BUTTKICKER G2 MOUNT

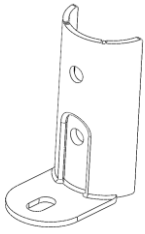
INSTRUCTION MANUAL



REQUIRED TOOLS:

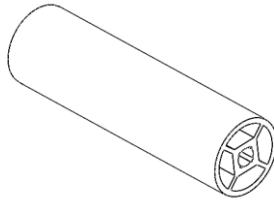


1



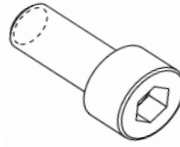
Shaft Mount

2x



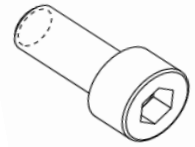
Shaft D28 x 100

1x



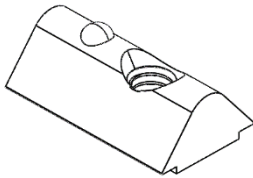
M6x30

1x



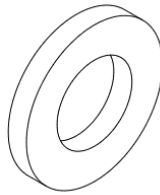
M6x16

2x



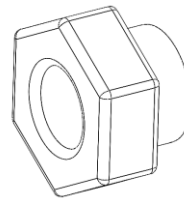
Click-in Nut M6

2x



Plain Washer M6

2x

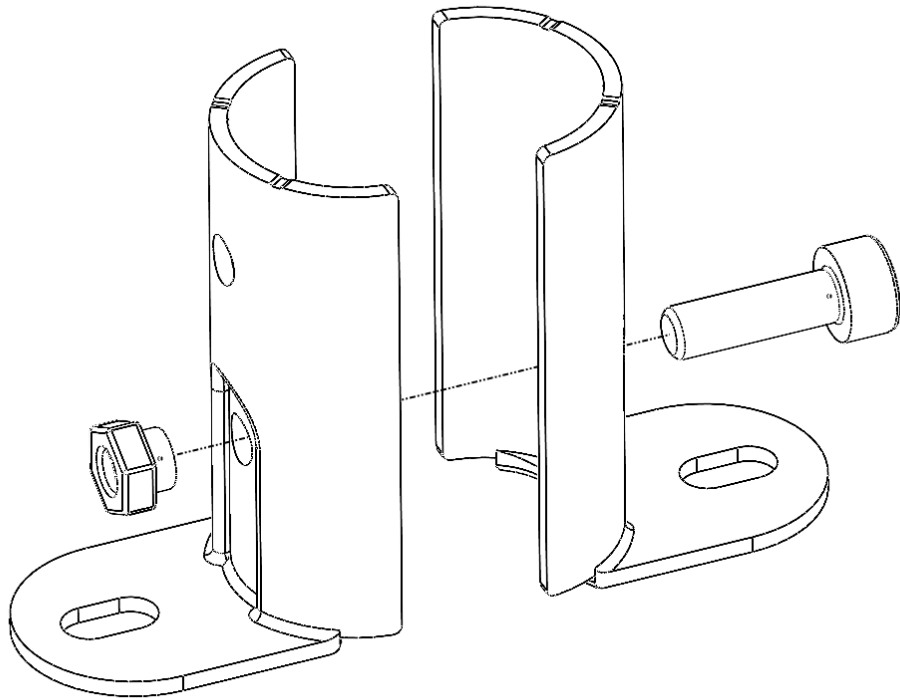


Nut M6

1x

2

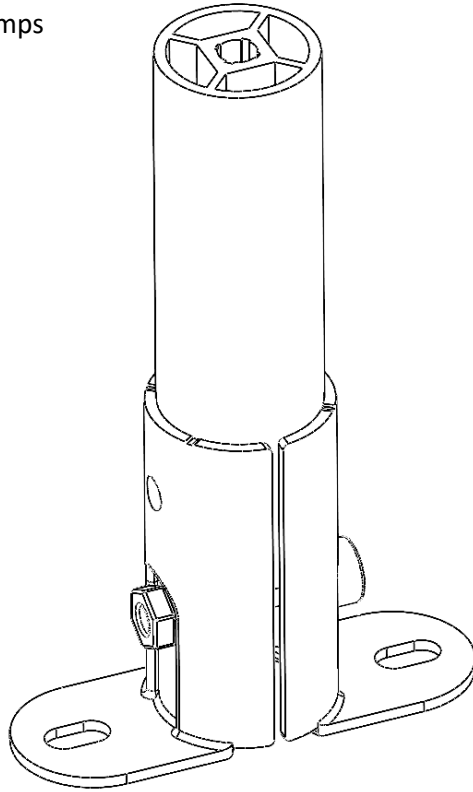
Connect the two mounts together using the M6x30 bolt and M6 nut, but do not tighten them yet.



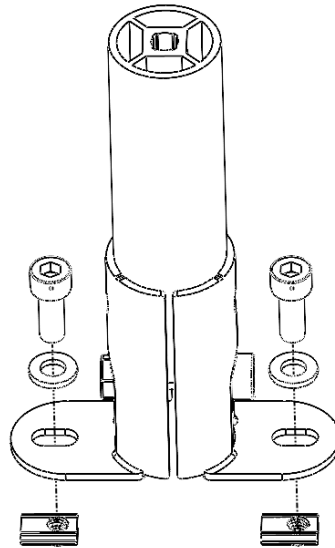
TREQ

3

Insert the shaft, and tighten the clamps together.



4



TREQ