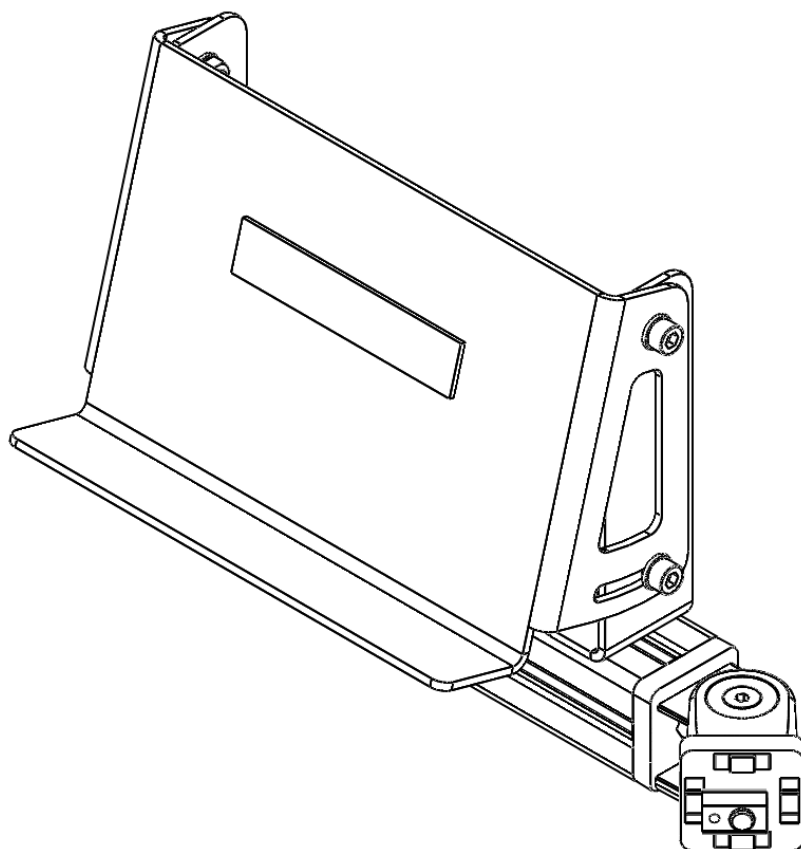


BUTTON BOX HOLDER

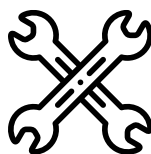
INSTRUCTION MANUAL



REQUIRED TOOLS:

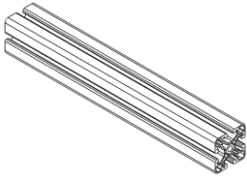


5-6 mm



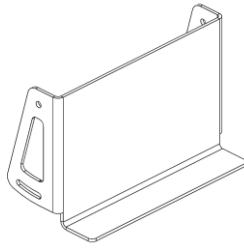
10 mm

1



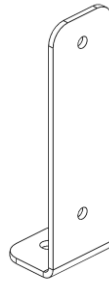
Profile 4040 L=220

1x



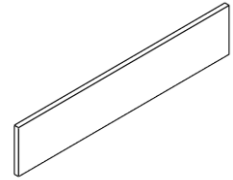
Bracket

1x



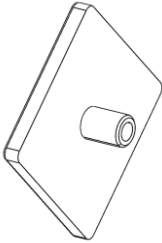
Bracket

2x



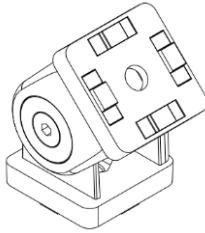
Tape

1x



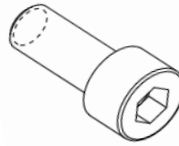
Cover 4040

1x



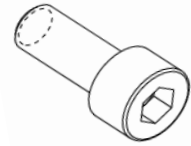
Hinge 4040

1x



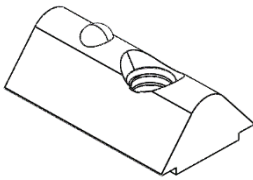
M6x16

4x



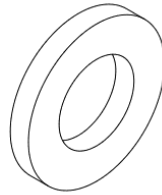
M8x16

2x



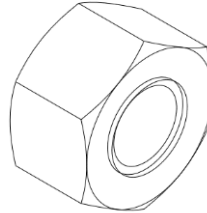
Click-in Nut M8

3x



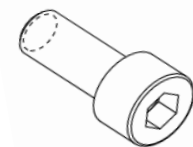
Plain Washer M6

8x



Nut M6

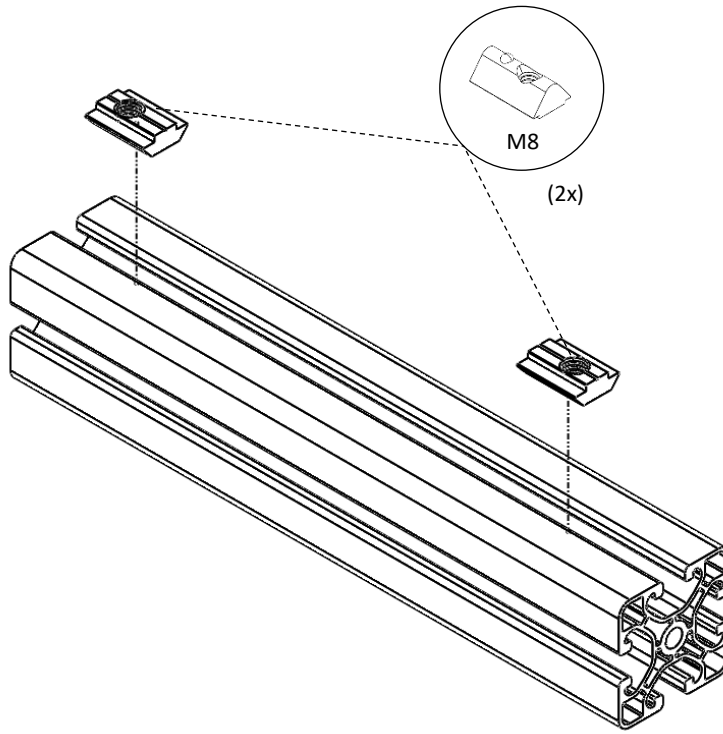
4x



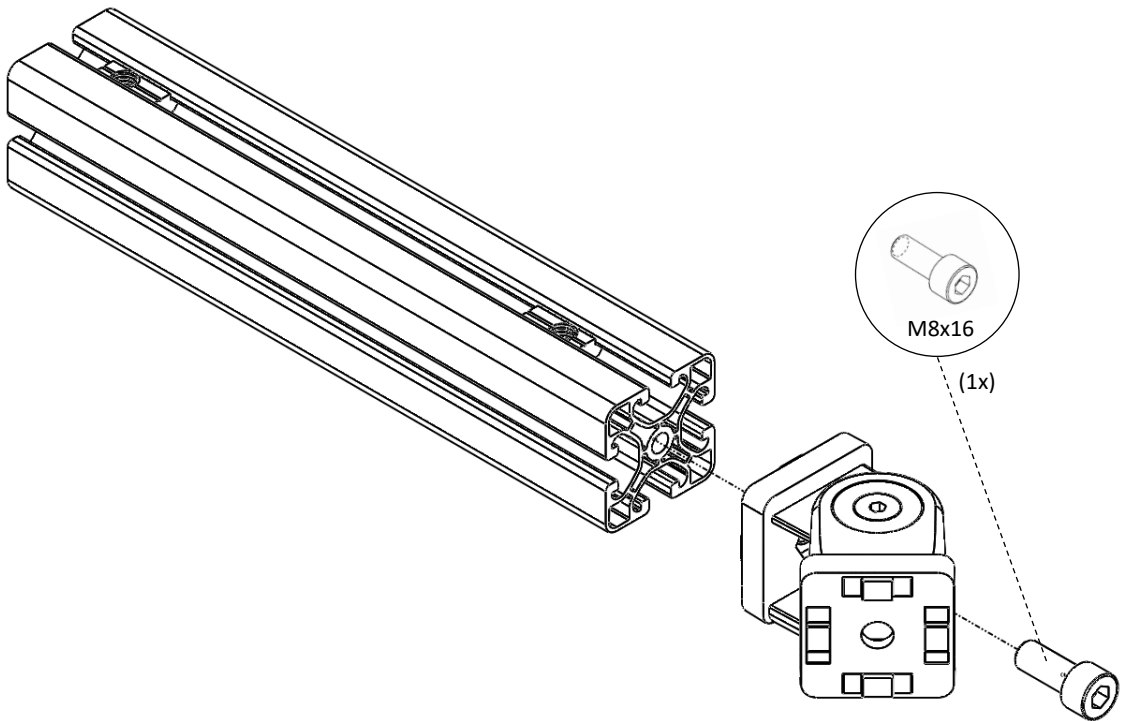
M8x12

2x

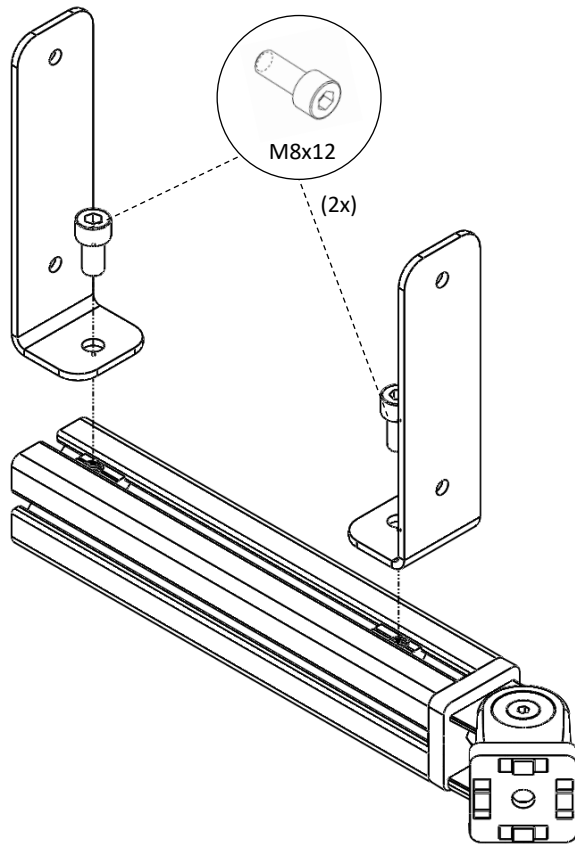
2



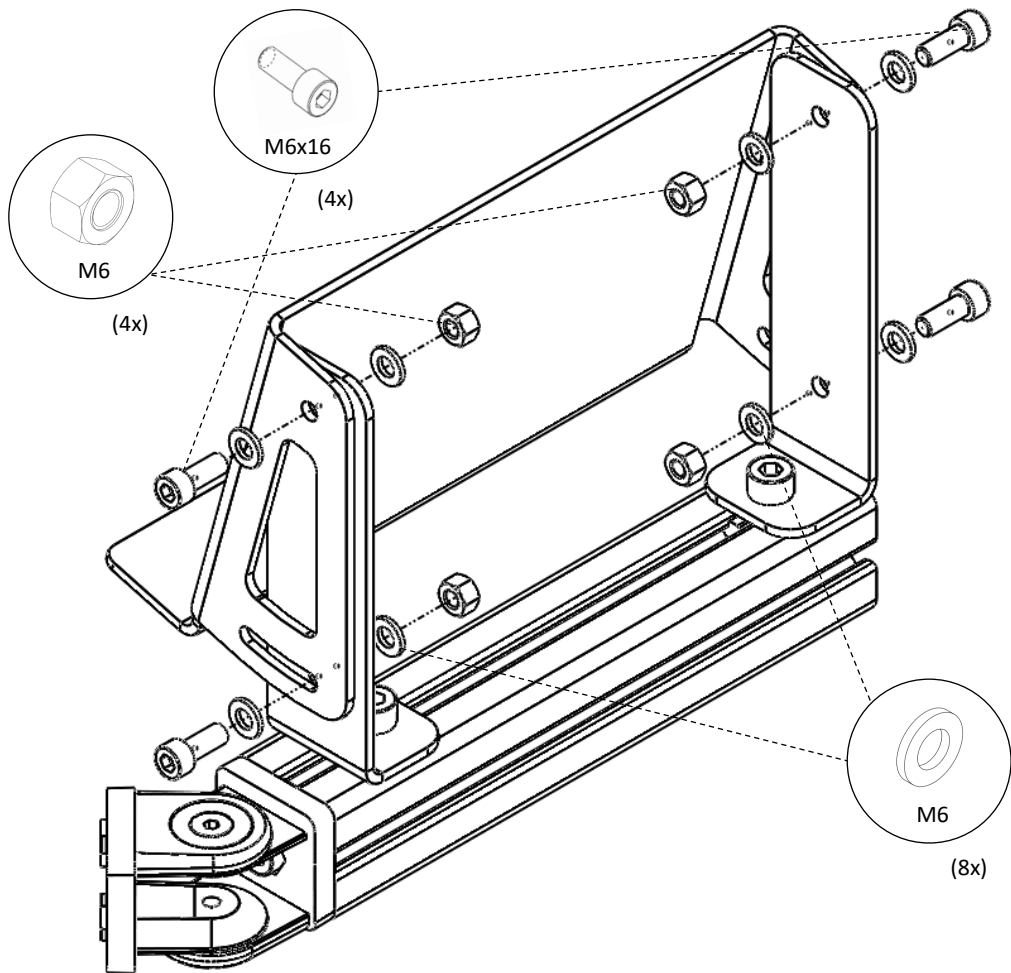
3



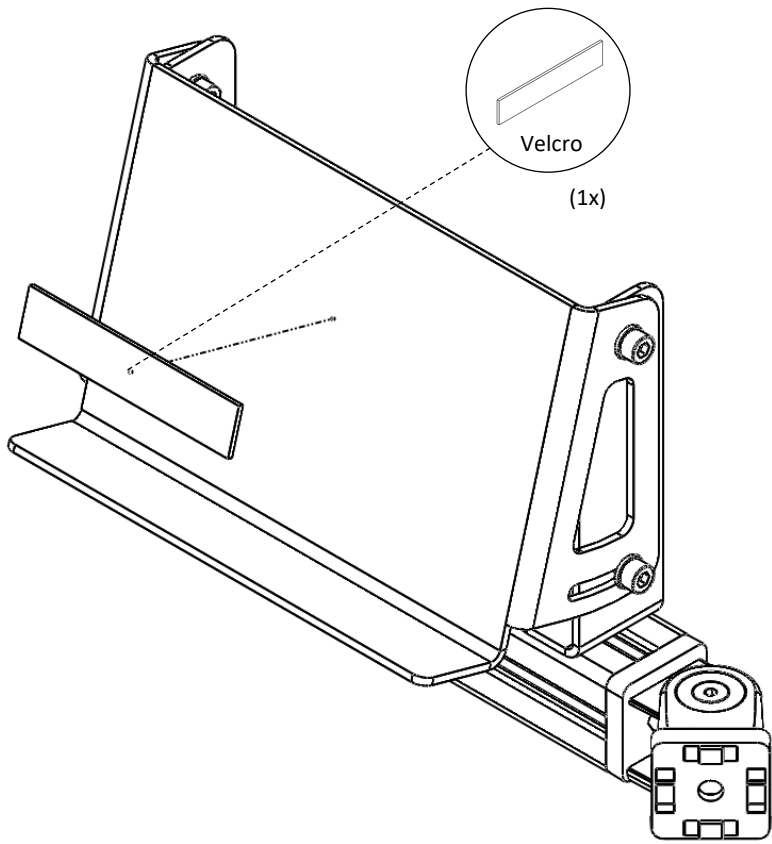
4



5



6



7

