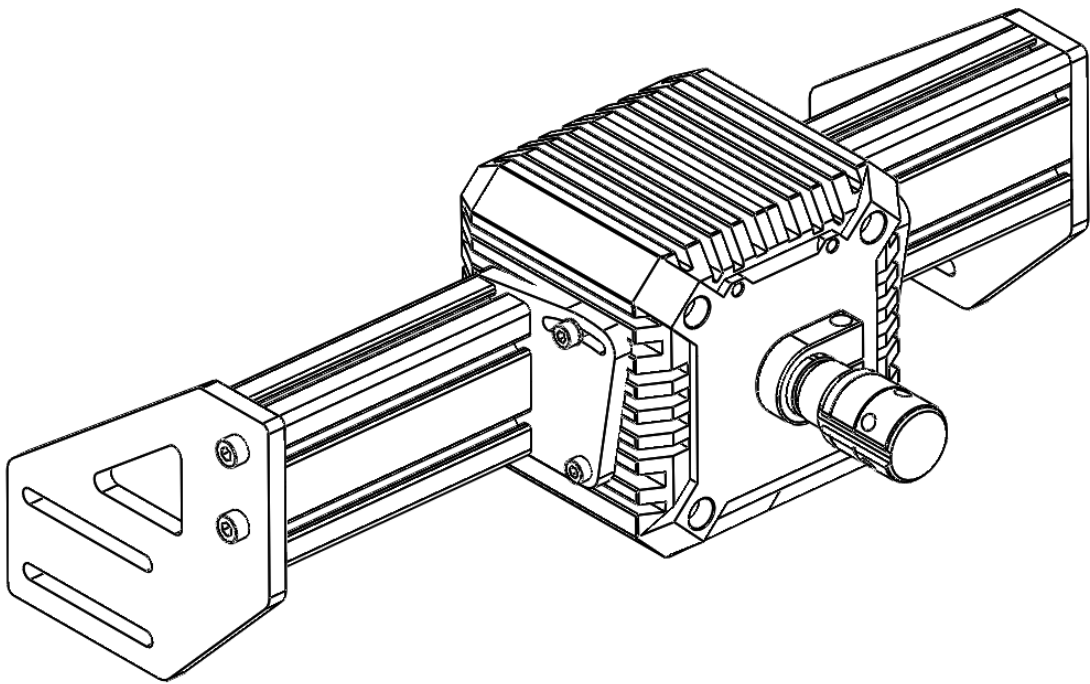
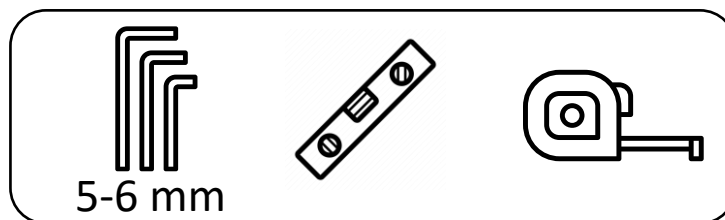


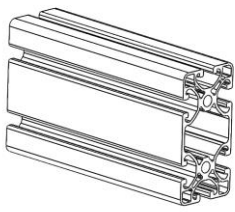
# CSL DD & CLUBSPORT SIDE MOUNT

## INSTRUCTION MANUAL

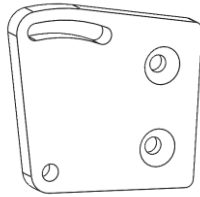


### REQUIRED TOOLS:

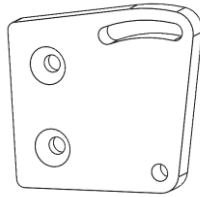


**1**

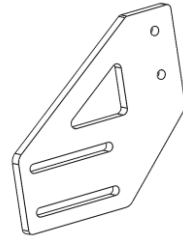
Profile 8040

**2x**

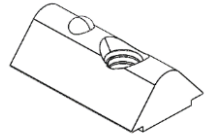
Side Mount Right

**1x**

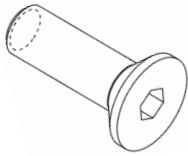
Side Mount Left

**1x**

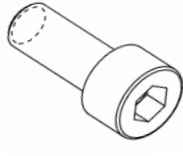
Mounting Plate

**2x**

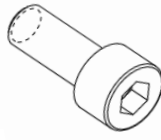
Click-in Nut M8

**8x**

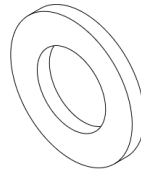
M8x20 (Black)

**4x**

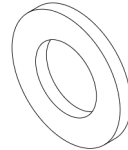
M8x20 (Black)

**12x**

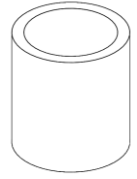
M6x20 (Black)

**4x**

Washer M8

**8x**

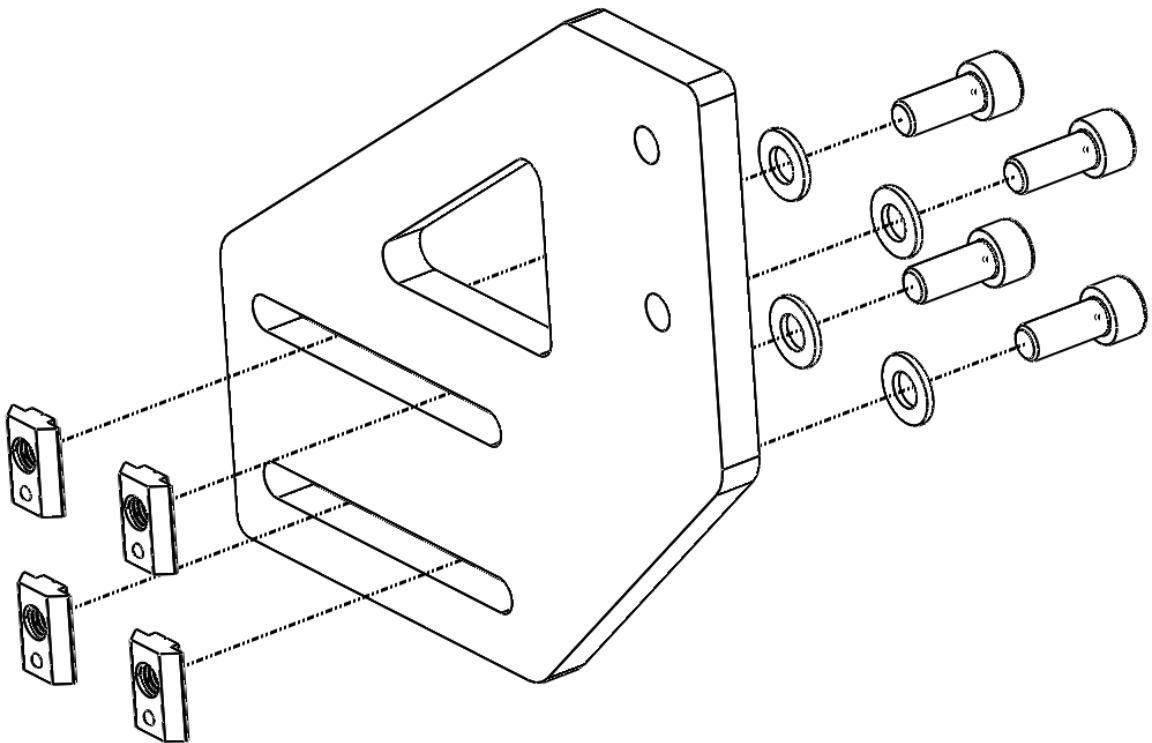
Washer M6

**2x**

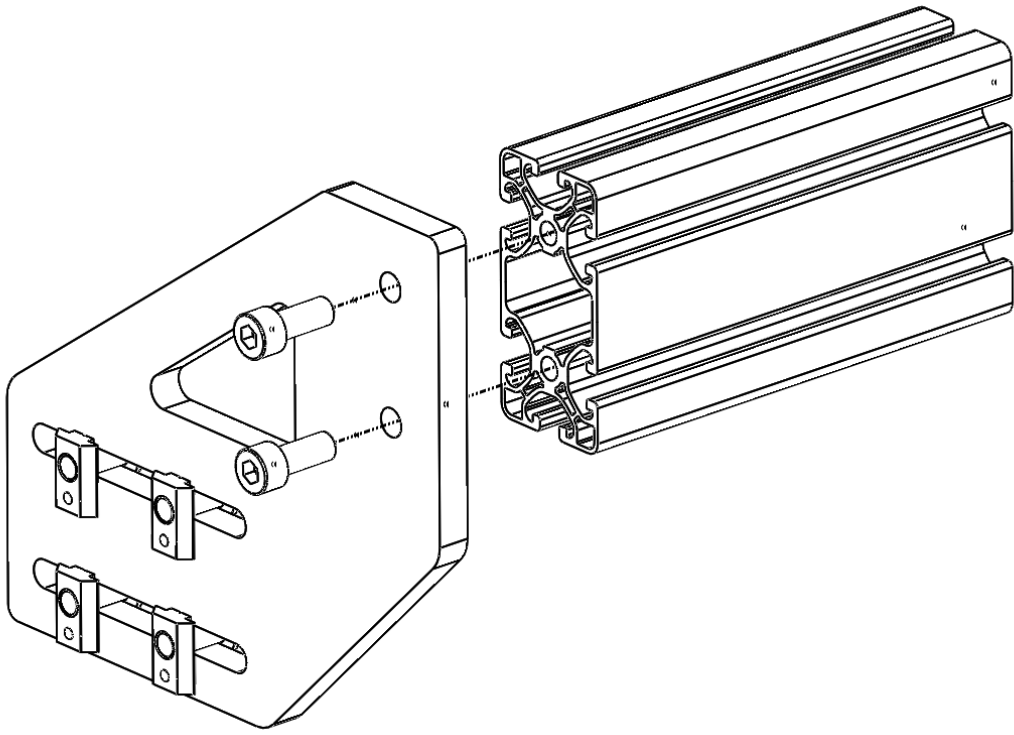
Spacer

**4x****2**

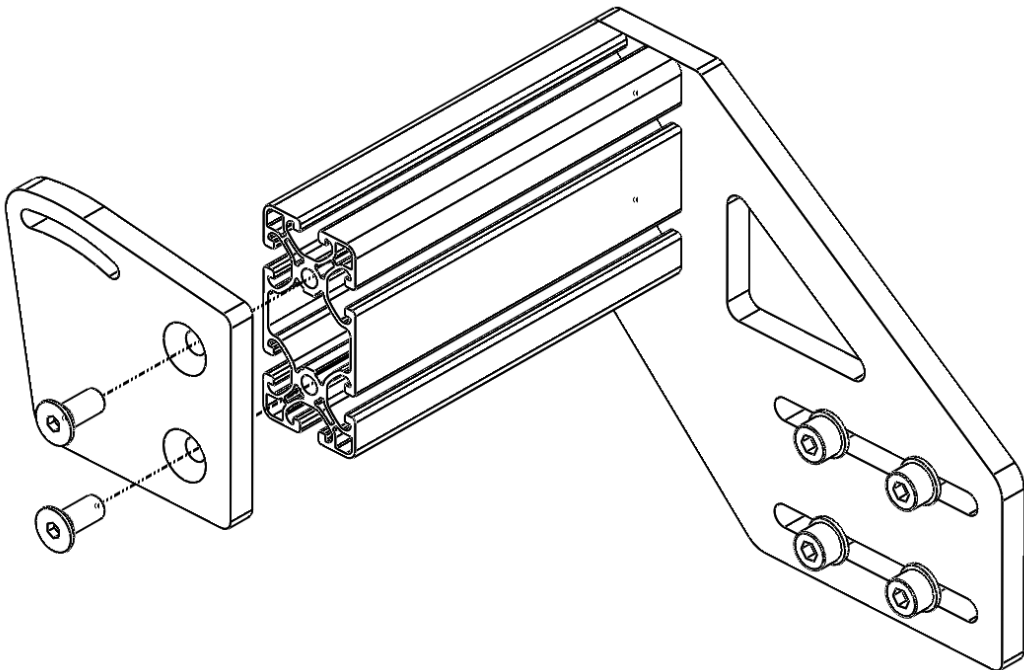
Mount both 'Mounting Plates' to the upright profiles of your rig using the M8 bolts and nuts.



3



4



5

Slide in the Fanatec M6 nuts (delivered with the wheel base) into the side of the base. Connect these with the M6 bolts, displayed below. Use the small spacers for a better fit of the M6 bolts into the side plates.

