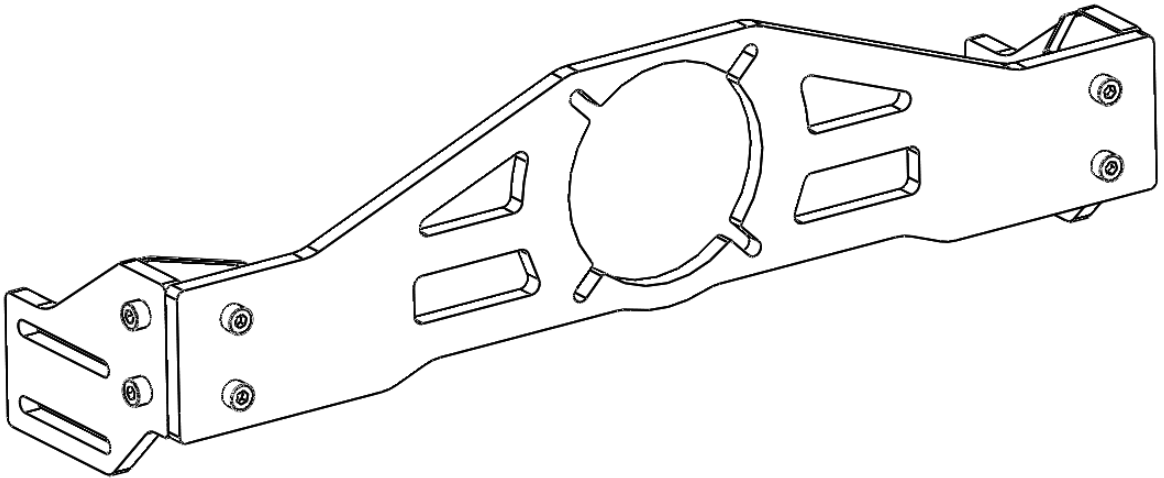
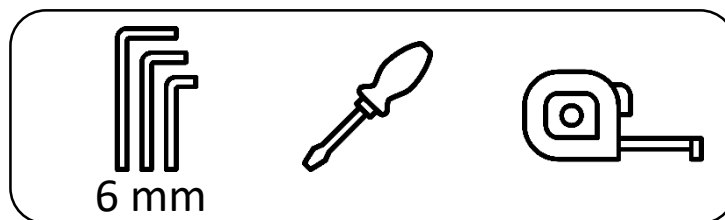


FRONT WHEEL MOUNT

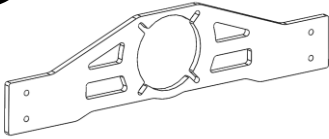
INSTRUCTION MANUAL



REQUIRED TOOLS:

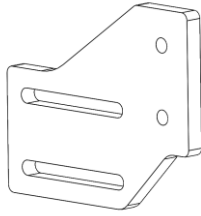


1



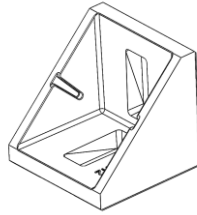
Front Mounting Plate

1x



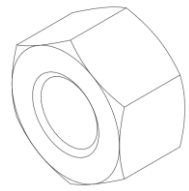
Mounting Plate

2x



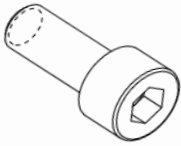
Corner Bracket

4x



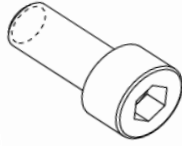
Nut M8

8x



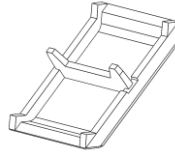
M8x25 (Black)

12x



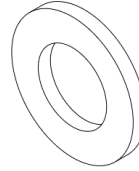
M8x20 (Black)

8x



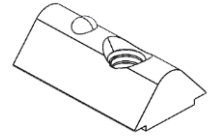
Cover cap

4x



Plain Washer M8

12x

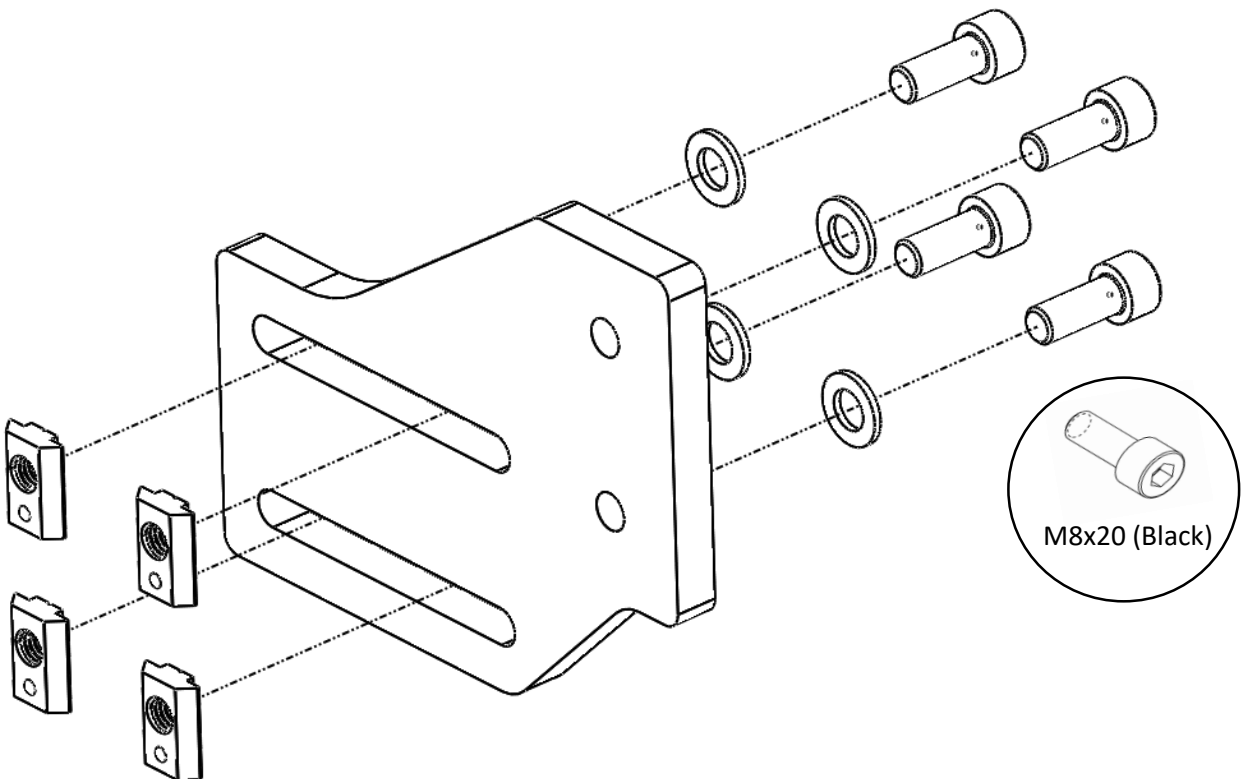


Click-in Nut M8

8x

2

Mount both 'Mounting Plates' to the upright profiles of your rig.

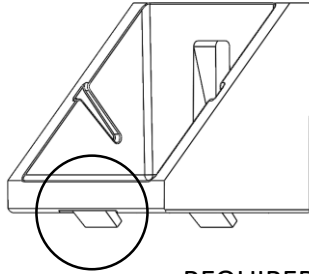


TREQ

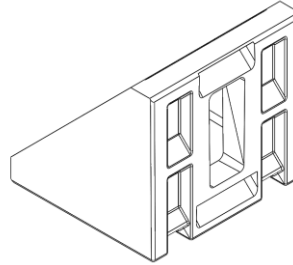
3

The corner brackets feature 4 little hooks to stop the bracket from rotating once it is mounted to a profile. But for the Front Wheel Mount, we do not need these. You can break off the 4 hooks of each corner bracket with a flat screwdriver.

1



2

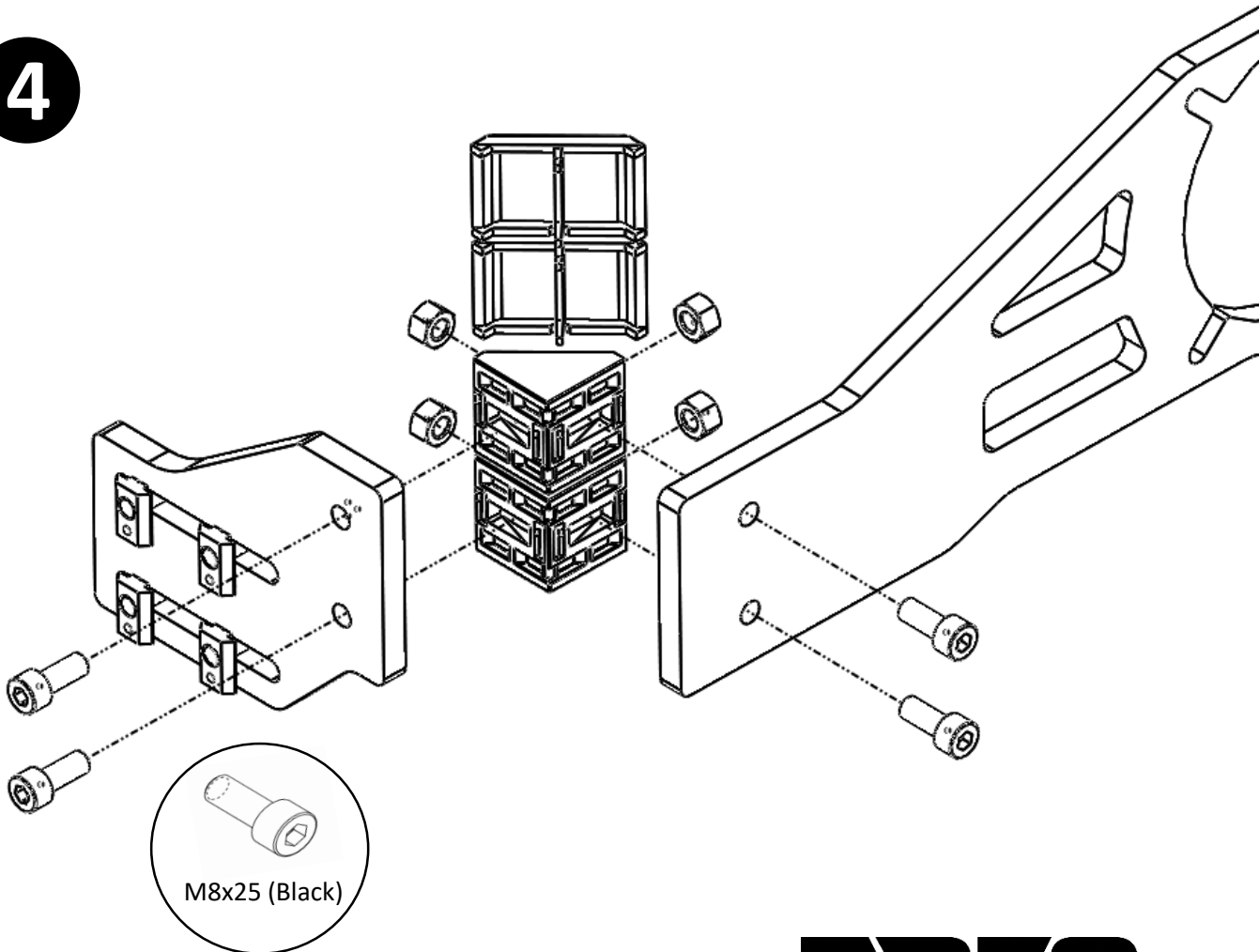


REQUIRED TOOL:



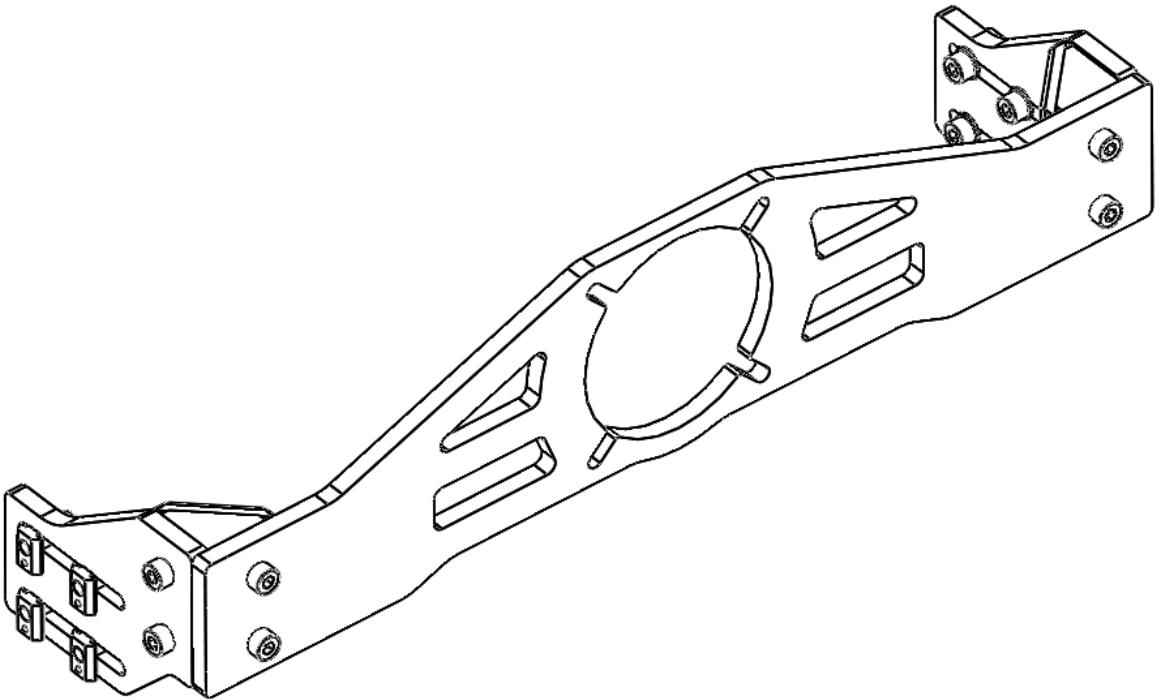
Break!

4



TREQ

5



With the spare M8x25 bolts and washers, you can mount your wheelbase.

TREQ